

# Evacuator® Plus

## Backup Alarms



210330SSG  
(shown with mounting bracket included)

### FEATURES

- “Plus” models offer dual-tone function (pulse or constant)
- A wide range of decibel levels and operating voltages are offered for enhanced application flexibility
- Universal mounting bracket included
- Maximum current draw of 0.15 A
- Unique Piezo-electric design incorporates a tear-free Mylar speaker cone that is impervious to moisture
- Solid-state electronics and a sealed design protect against moisture, contaminants and vibration
- Three-year warranty

### Built for Versatility and Durability

Evacuator® Plus (dual tone) backup alarms are engineered to provide dependable performance and exceptional warning power across various vehicle and material handling equipment requirements. Built to withstand the most punishing applications, these alarms feature piezo-electric circuitry and solid-state components that reduce Amp draw (as low as 0.02 A @ 12 Vdc), and minimize the adverse effects of shock and vibration.

### Multiple Options to Fit Your Needs

Evacuator Plus is the right backup alarm for applications where two tones are better than one. The dual-function feature supplies Evacuator Plus with the ability to produce two distinctively different tones.

Dual-function Evacuator Plus models can be ordered for applications ranging from 87 dBA to 112 dBA thereby providing users with the flexibility to meet their most precise warning requirements.

### APPROVALS

- SAE J994
- OSHA
- MSHA

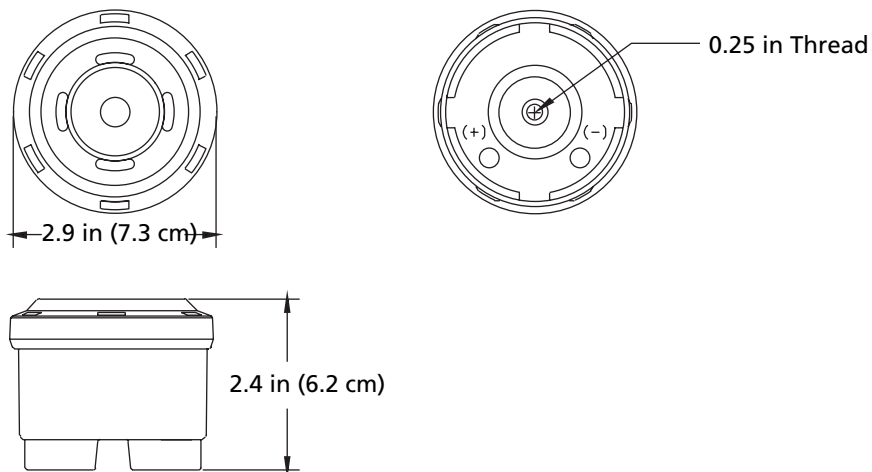
## HOW TO ORDER

### EVACUATOR PLUS, DUAL FUNCTIONS, 12-48 VDC

210330SSG	87 dBA, 12-48 Vdc, SAE J994 Type D, nickel-plated threaded terminals
210331SSG	97 dBA, 12-48 Vdc, SAE J994 Type C, nickel-plated threaded terminals
210333SSG	107 dBA, 12-48 Vdc, SAE J994 Type B, nickel-plated threaded terminals
210335SSG	112 dBA, 12-48 Vdc, SAE J994 Type B, nickel-plated threaded terminals

## SPECIFICATIONS

	210330SSG	210331SSG	210333SSG	210335SSG
OPERATING VOLTAGE	12-48 Vdc	12-48 Vdc	12-48 Vdc	12-48 Vdc
CURRENT DRAW	0.02 A @ 12 Vdc	0.03 A @ 12 Vdc	0.17 A @ 12 Vdc	0.17 A @ 12 Vdc
OPERATING TEMP	-40° to +165° F [-40° to +75° C]			
SOUND LEVEL	87 dBA	97 dBA	107 dBA	112 dBA
SOUND FREQUENCY	2.75 kHz	2.4 kHz	2.7 kHz	2.7 kHz
<b>PHYSICAL SPECIFICATIONS</b>				
DIAMETER	2.9 in (7.4 cm)			
HEIGHT	2.4 in (6.1 cm)			
SHIP WEIGHT	0.6 lb (0.3 kg)			



Evacuator is a trademark of Federal Signal Corporation.