

SLR

Beacon



FEATURES

- LED rotating beacon with (12) high-powered LEDs
- Low-Amp draw compared to halogen rotating beacons
- 75/90/120 RPM
- 12/24 Vdc

APPROVALS

- SAE J845 Class 1
- CCR Title 13

FS TECHNOLOGIES



SLR beacon combines traditional rotating technology and LEDs in one unique package. Utilizing Federal Signal's patented Solaris® LED reflector technology, this beacon packs an unmatched warning signal suitable for various large vehicle applications such as DOT, construction, utility operations, and fire trucks.

Low Amp Draw Minimizes Demands On Vehicles

Compared to traditional 12 Vdc halogen rotating beacons, the Federal Signal SLR beacon operates on about half the Amp draw. This encourages vehicle efficiency while maintaining superior warning for work zone safety—SAE J845 Class 1 versions are available.

Flexibility All In One To Fit Many Applications

The Federal Signal SLR beacon has (3) rotating speeds built-in to every unit, so users have the flexibility to choose from 75/90/120 RPM. Each SLR beacon also can operate on either 12 or 24 Vdc work trucks.

Built To Meet The Demands Of Tough Work Environments

SLR beacon is powered by a gearless motor that encourages extended product durability.

HOW TO ORDER

LED Color			Dome Color		
A	R	W	A	R	C

262650-02	Amber LEDs, Amber dome
262650-04	Red LEDs, Red dome
262650-05	White LEDs, Clear dome
262650-25	Amber LEDs, Clear dome

COMMON REPLACEMENT PARTS

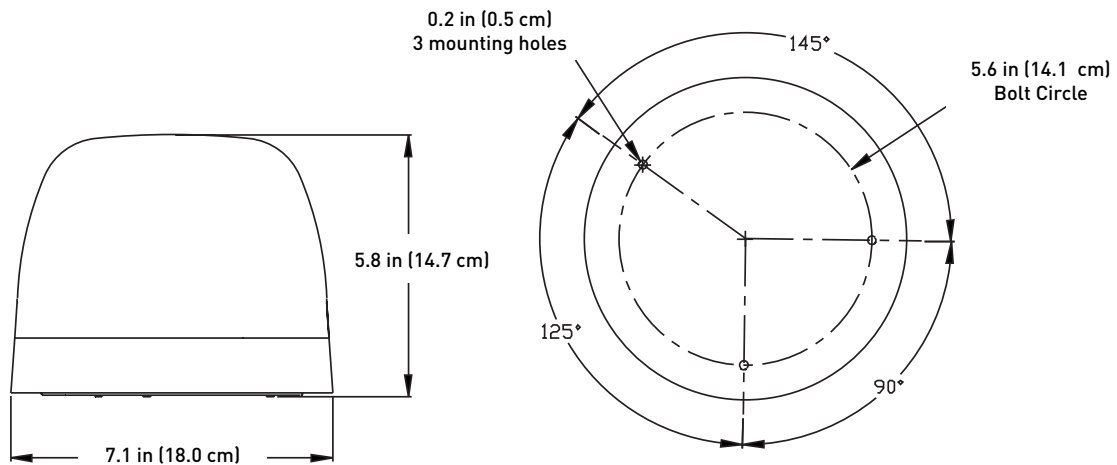
Z8627205A-02	Dome, Amber
Z8627205A-04	Dome, Red
Z8627205A-05	Dome, Clear

SPECIFICATIONS

RPM	75/90/120
CURRENT DRAW	1.8A @ 12 Vdc 2.0A @ 24 Vdc
OPERATING VOLTAGE	12/24 Vdc
MOUNTING	Permanent/1-inch pipe mount
OPERATING TEMP	-40° to +149°F (-40° to +65°C)

PHYSICAL SPECIFICATIONS

DIAMETER	7.1 in (18.0 cm)
HEIGHT	5.8 in (14.7 cm)
SHIP WEIGHT	2.8 lb (1.3 kg)



Solaris is a registered trademark of Federal Signal Corporation.