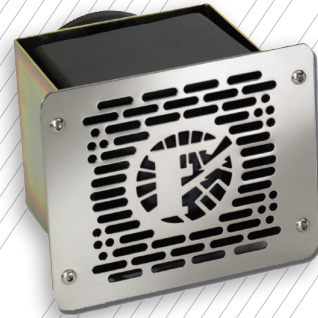


BP200 Series

Speaker



FEATURES

- 200 W speaker features Neodymium driver for increased service life
- Designed to be attractively recess-mounted through the bumper of a vehicle
- Available with the stainless steel Electric “F” grille or the traditional Chrome Q-Siren® grille
- Two-year warranty

APPROVALS

- BP200 Sound output meets SAE J1849 and Class A

Constructed of a sturdy, cast aluminium housing

The BP200 speaker is designed to perform in all weather conditions and is compatible with most Federal Signal sirens.

Revolutionary Design

The dual diverging manifold design of the BP200 projects sound more uniformly than conventional speakers. This means more sound projection to both sides, as well as to the front of the vehicle.

The BP200 speaker incorporates (2) 100-watt Neodymium drivers to produce a full 200-watt of output. Designed to flush mount through the bumper of a vehicle attractively, the BP200 is available with a choice of two grilles. As a fire truck siren, the BP200-EF includes a polished, stainless steel “Electric F” grille. The BP200-Q includes a backplate and the classic chrome-plated “Q” grille, a staple in the fire industry.

BP200 Series mounting options

The BP200 series of compact speakers are available with various mounting options to perfectly fit specific applications.

HOW TO ORDER

BP200-EF 200 W, Stainless steel Electric "F" grille, recess mount

BP200-Q 200 W, Chrome Q-Siren grille, recess mount

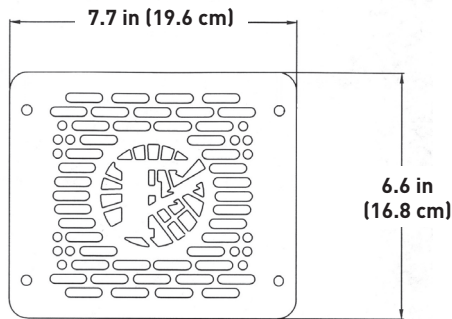
ACCESSORY

BPFMT-EF Recess mount, stainless steel Electric "F" grille

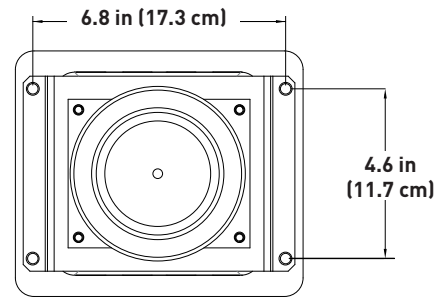
SPECIFICATIONS

	BP200-EF	BP200-Q
POWER	200 W	
HOUSING MATERIAL	356 Aluminium	
OPERATING TEMP.	-40° to +176° F [-40° to +80° C]	
INPUT VOLTAGE	32 Vrms	
PHYSICAL SPECIFICATIONS — FRONT VIEW		
WIDTH	7.7 in (19.6 cm)	9.9 in (25.1 cm)
HEIGHT	6.6 in (16.8 cm)	9.9 in (25.1 cm)
DEPTH	0.04 in (0.1 cm)	2.2 in (5.6 cm)
SHIP WEIGHT		
	20.7 lb (9.4 kg)	22.5 lb (10.2 kg)

BP200-EF GRILLE

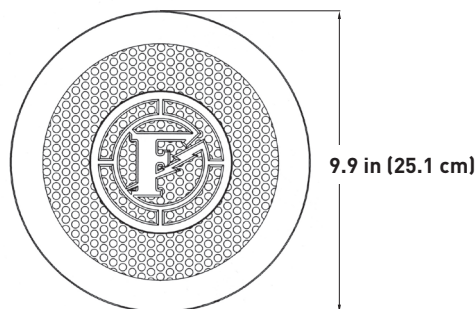


Front View

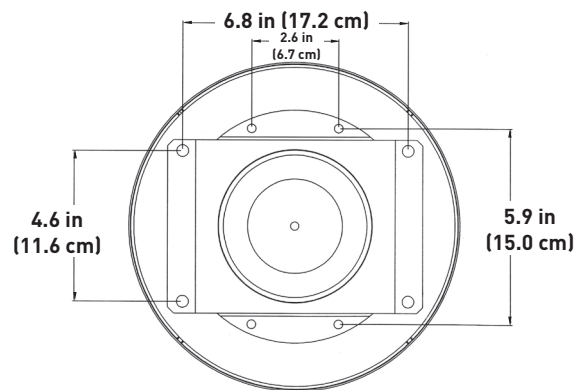


Rear View

BP200-Q GRILLE AND BACKPLATE



Front View



Rear View



Warning: Sirens and Speakers may produce LOUD sounds necessary to request the right-of-way. Sirens and Speakers may cause hearing damage. Wear hearing protection.