

Safety Message to Installers and Users

⚠ WARNING

The lives of people depend on your proper installation and servicing of Federal products. It is important to read and follow all instructions shipped with the products. In addition, listed below are some other important safety instructions and precautions you should follow:

- To properly install a light assembly, you must have a good understanding of automotive electrical procedures and systems, along with proficiency in the installation and use of safety warning equipment.
- When drilling into a vehicle structure, be sure that both sides of the surface are clear of anything that could be damaged.
- For electrical connections, refer to the instructions packed with the light system.
- You should frequently inspect the light system to ensure that it is securely attached to the vehicle.
- Refer to the instructions packed with related products for additional precautions and information.
- File these instructions in a safe place and refer to them when maintaining and/or reinstalling the product.

Failure to follow all safety precautions and instructions may result in property damage, serious injury, or death.

Unpacking the Kit

After unpacking the product, inspect it for damage that may have occurred in transit. If it has been damaged or is missing a part, do not attempt to install or operate it. File a claim immediately with the carrier, stating the extent of the damage. Carefully check all envelopes, shipping labels and tags before removing or destroying them. Ensure that all parts in the Table 1 or Table 2 have been included. If you are missing any parts, contact Customer Support at 1-800-264-3578 or 1-708-534-4756 , 7 A.M. to 5 P.M., Monday through Friday (CT).

Table 1 Valor dome service kits

Z865100372 VALR44 Dome Service Kit		
Qty.	Description	Part No.
1	Dome, VALR44	8651101*
1	Cover, VALR44	8651114*
1	Seal, Lip, VALR44	8651116
11	Washer, Nylon	7072301
11	O-Ring	7067016

Z865100374 VALR51 Dome Service Kit		
Qty.	Description	Part No.
1	Dome, VALR51	8651103*
1	Cover, VALR51	8651115*
1	Seal, Lip, VALR51	8651116-51
15	Washer, Nylon	7072301
15	O-Ring	7067016

**preassembled*

Table 2 Integrity dome service kits

Z864900652 INTG44 Dome Service Kit		
Qty.	Description	Part No.
1	Dome, INTG44	864900254*
1	Cover, INTG44	864900259*
1	Seal, Lip	8651116
9	Washer, Nylon	7072301
9	O-Ring	7067016

Z864900653 INTG51 Dome Service Kit		
Qty.	Description	Part No.
1	Dome, INTG51	864900256*
1	Cover, INTG51	864900261*
1	Seal, Lip	8651116-51
13	Washer, Nylon	7072301
13	O-Ring	7067016

**preassembled*

Removing the Dome and Cover

To remove the dome and cover:

1. Disconnect all power to the lightbar.
2. See Figure 3 (Valor) or Figure 4 (Integrity) on page 4. Use a T27 six-lobe driver to remove the 1/4"-20 six-lobe barrel nuts securing the dome.
3. Remove the dome and the lip seal.

Installing the Dome and Cover

To install the dome:

1. Use isopropyl alcohol to thoroughly clean the mounting surface of the lip seal on the base.
2. With the lips on the seal pointing down, start on the back edge between barrel nuts 7 and 11 (Valor, Figure 1 and 3) or barrel nuts 5 and 9 (Integrity, Figures 2 and 4) and press the new lip seal onto the mounting surface. **Do not stretch the lip seal.**

NOTE: VALOR — To prevent the lip seal from taking a shortcut and pulling away from the base, push the lip seal into each of the two inside corners as shown in Figure 1.

Figure 1 Lip seal orientation on Valor and application into inside corners

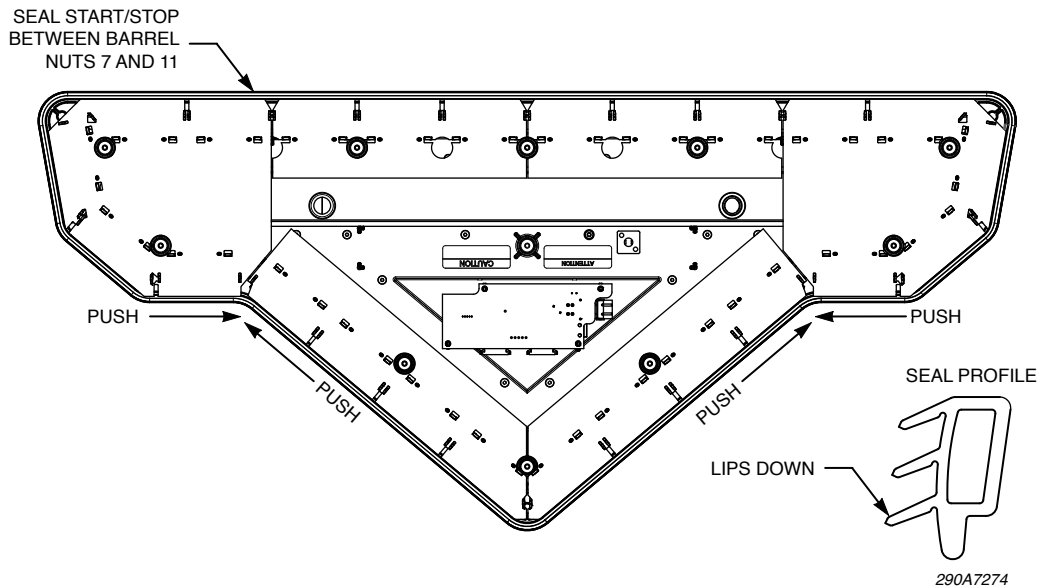


Figure 2 Lip seal orientation on Integrity

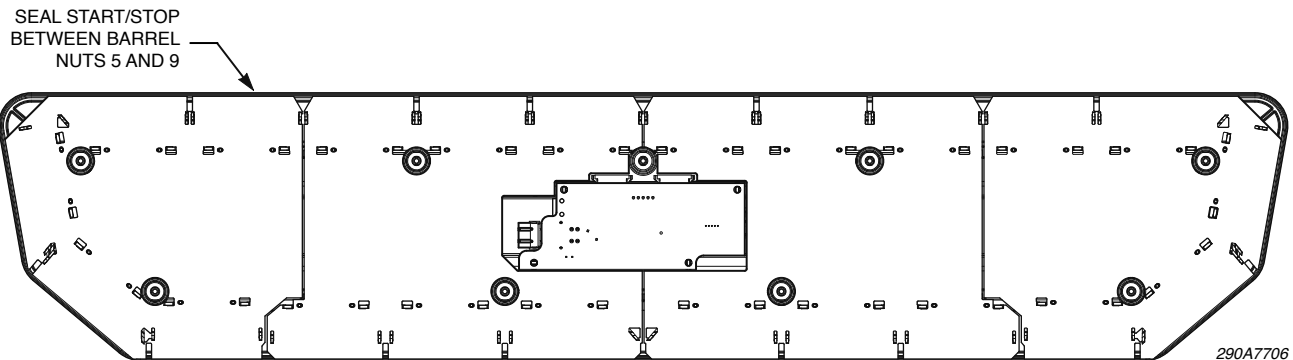


Figure 3 Barrel nut tightening order in Valor dome

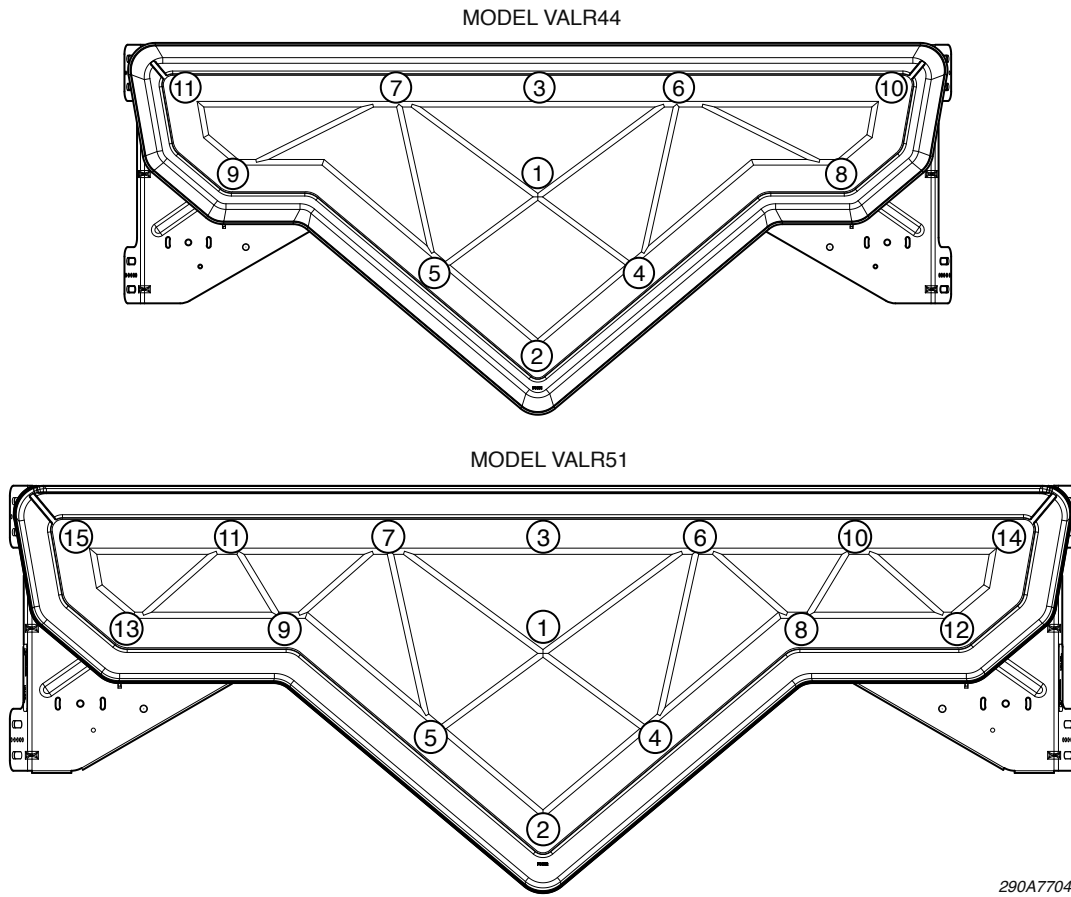
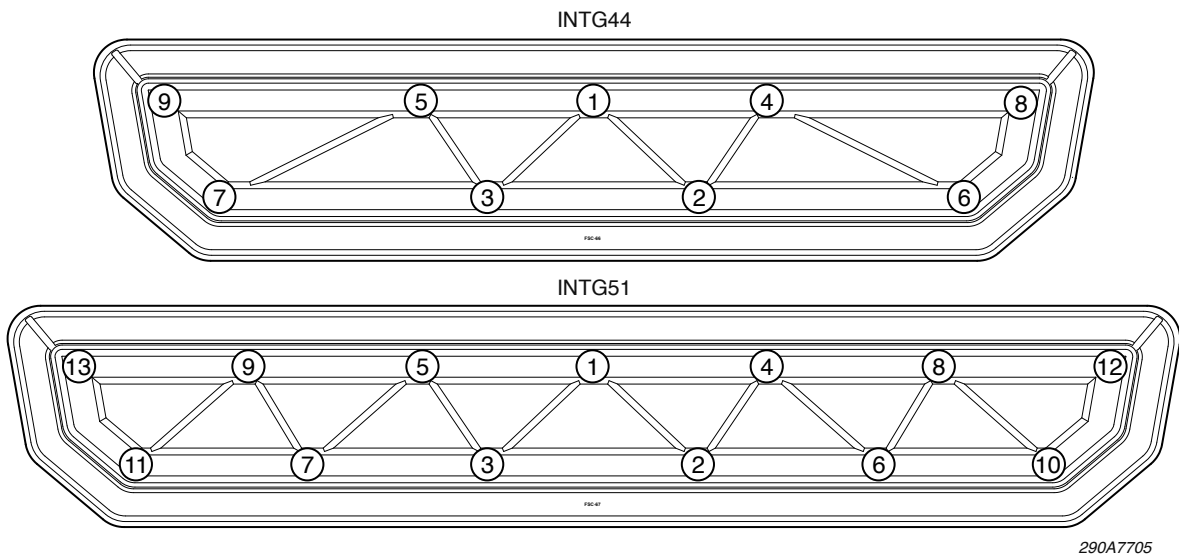


Figure 4 Barrel nut tightening order in Integrity dome

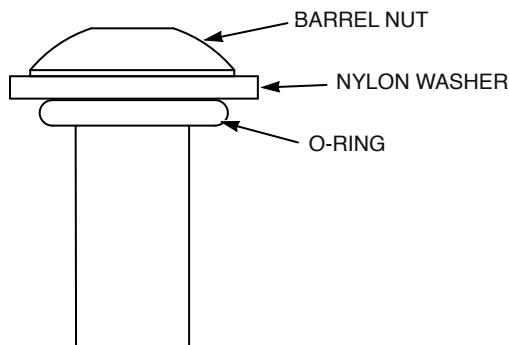


3. Trim the starting end of the lip seal flush with stopping end.
4. To ease the installation of the dome, apply a film of water-based rubber lubricant on the lip seal.
5. Reinstall the dome and follow the next steps on page 4.

Kit Installation Instructions

- Verify that the lip seal is properly positioned and that it has not been dislodged during the dome installation.
- Assemble the nylon washers and O-rings from the kit onto the barrel nuts as shown in Figure 52.

Figure 5 Barrel nut with washer and O-ring



290A7275

- Install the hardware. To prevent cross-threading the barrel nuts, back them counterclockwise until you hear the click of the threads engaging.
- Snug-tighten the barrel nuts to 16 in-lb to 24 in-lb in the sequence shown in Figure 3 (Valor) or Figure 4 (Integrity) on page 3. **Do not overtighten the nuts.**

⚠ WARNING

LIGHT HAZARD—*To be an effective warning device, a lightbar produces bright light that can be hazardous to your eyesight when viewed at close range. Do not stare into the lightbar at close range or permanent damage to your eyesight may occur.*

- Reconnect power to the lightbar and test it for proper operation.

Getting Technical Support and Service

For technical support and service, please contact:

Federal Signal Corporation
Service Department
Public Safety Systems
Phone: 1-800-433-9132, 1-800-534-3400
Fax: 1-800-343-9706
Email: empserviceinfo@fedsig.com
www.fedsig.com