



MU871 | 10-21-2020

## Introducing the new Federal Signal Four-, Six- and Nine-button Convergence Network Controllers



Federal Signal introduces new Four-, Six-, and Nine-button programmable Convergence Network controllers. These controllers can be used to control any of the Federal Signal Convergence Network serial light bars including the Valor®, Integrity®, Allegiant™, Navigator®, and Legend® and the SpectraLux ILS® interior warning light. The Convergence Network controllers can be configured as an option to a new light bar or can be ordered separately to use in an existing Convergence Network installation.

Each of the controllers feature a variety of preprogrammed keypads sets for the Federal Signal light bar platforms for a quick plug-n-play installation. The controller keypad functions can also be customized to meet the specific needs of your vehicular lighting package by utilizing the Federal Signal Convergence Network Configuration software. This will allow a user to program and select the functions of each button and slide switch (for six-button, only). Each of the controllers additionally feature multi-colored back-lit LEDs that can be programmed in the software for added customization.

### FEATURES

- Compact size for versatile mounting
- Swivel-mount included
- (4), (6), and (9) illuminated push buttons
- Pre-programmed keypad configurations for the Valor, Integrity, Allegiant, Navigator, SpectraLux ILS and Legend
- Multi-colored LED back-lit push buttons
- Variety of legend stickers included for button labeling
- Three-year warranty

To configure a light bar with the new controllers visit the Federal Signal on-line light bar configurator at [www.fedsig.com/products/config/](http://www.fedsig.com/products/config/)

To download the Convergence Network Configuration software at [www.fedsig.com/software-downloads](http://www.fedsig.com/software-downloads)



SPECIFICATIONS

Specifications

Input Voltage	11 Vdc to 28 Vdc
Standby Current	Less than 0.1 A
Operating Temp	-40°C to +65°C (-40°F to +149°F)

Physical Specifications

	Four-button	Six-button	Nine-button
Height	1.6 in (4.1 cm)	2.8 in (7.1 cm)	2.8 in (7.1 cm)
Length	3.5 in (8.9 cm)	2.6 in (6.6 cm)	2.6 in (6.6 cm)
Depth	1.0 in (2.5 cm)	1.1 in (2.8 cm)	1.1 in (2.8 cm)

Ship Weight

0.11 lb (49.9 kg)	0.18 lb (81.6 kg)	0.18 lb (81.6 kg)
-------------------	-------------------	-------------------

\*Note: Replaces the standard interface module in the light bar. Siren tones are not included.

HOW TO ORDER

Model #	Description	2020 List Price US\$
CNTRLR-4B	Four-button programmable serial controller	\$180.00
CNTRLR-6B	Six-button programmable serial controller	\$298.00
CNTRLR-9B	Nine-button programmable serial controller	\$298.00

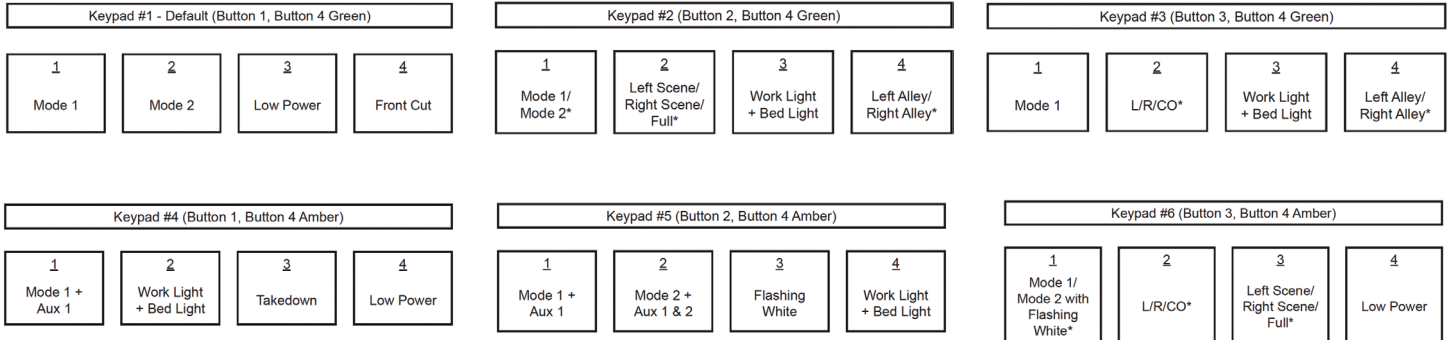
To learn more about the new Four-, Six-, and Nine-button Convergence Network Controllers, go to [www.fedsig.com](http://www.fedsig.com) or call for your local Federal Signal Support Representative at 800-824-0254.



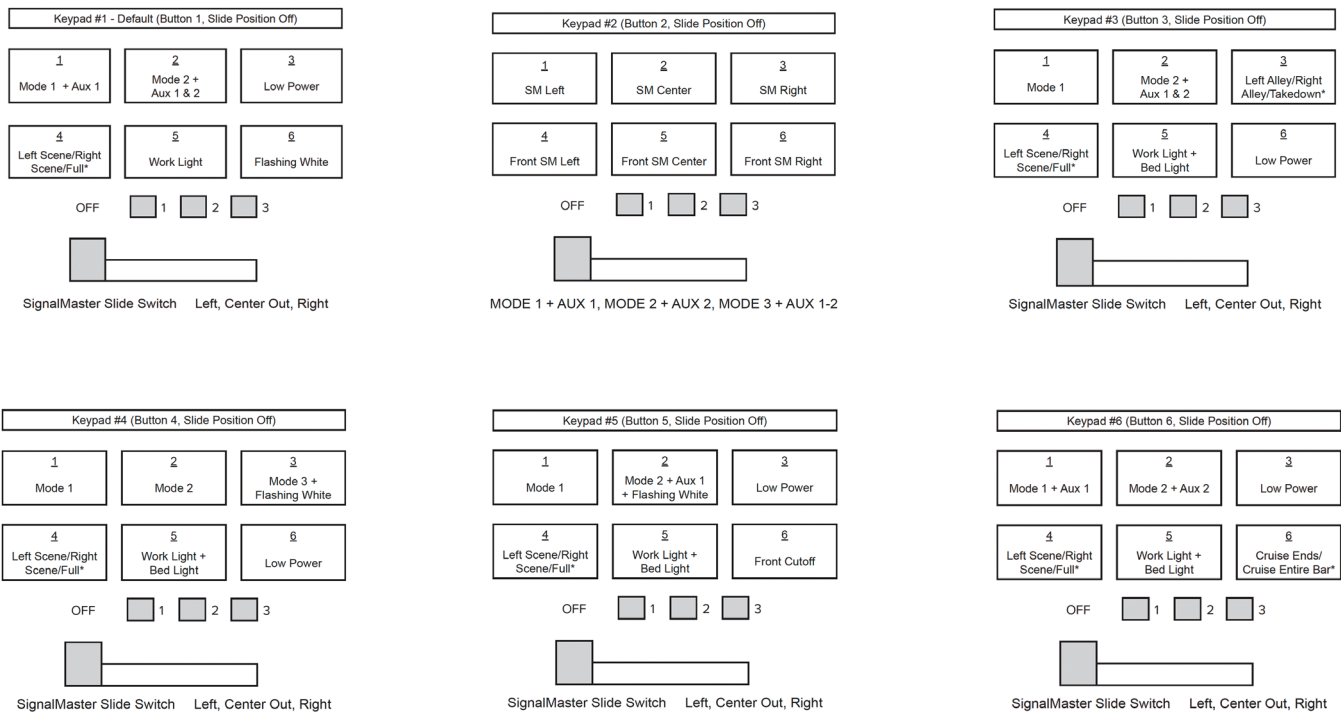
MU871 | 10-16-2020

\* Indicates Step Through Functions

**NEW Valor/Integrity/Allegiant Four-button Convergence Network Controller**

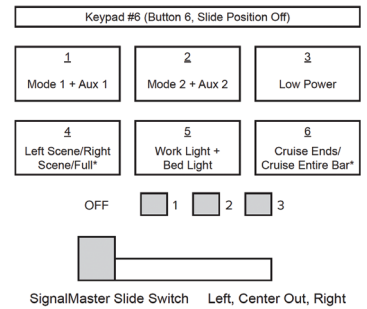
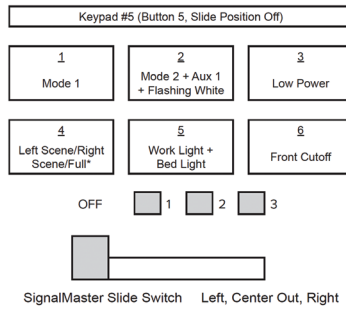
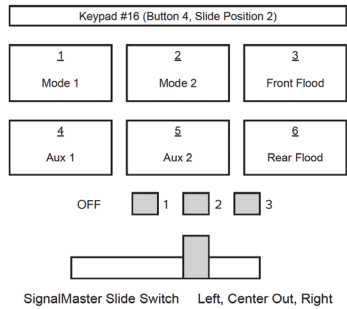
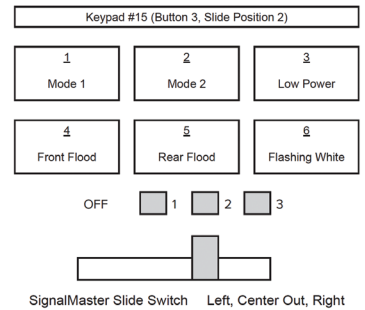
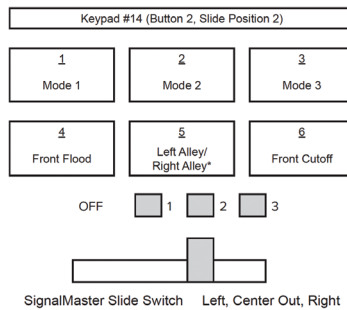
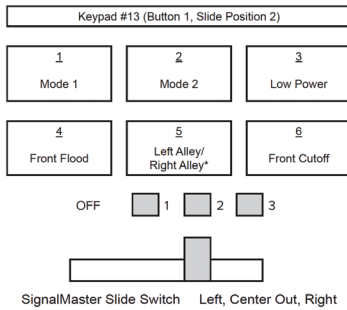


**NEW Valor/Integrity/Allegiant Six-button Convergence Network Controller**

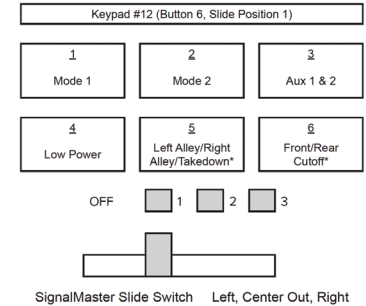
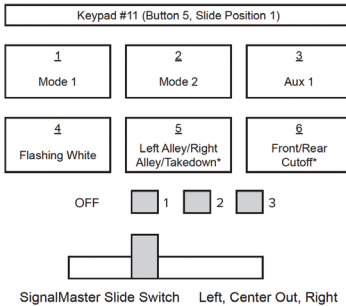
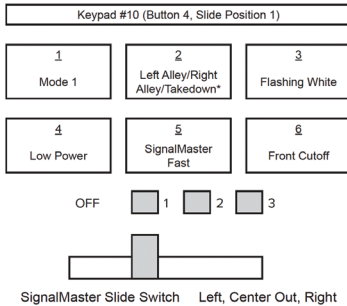
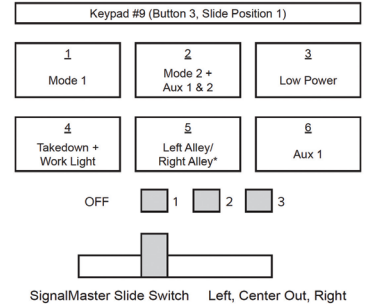
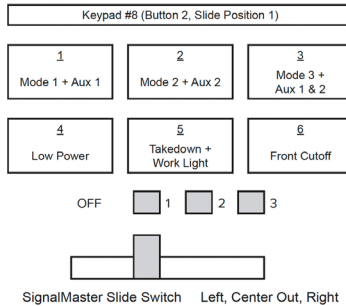
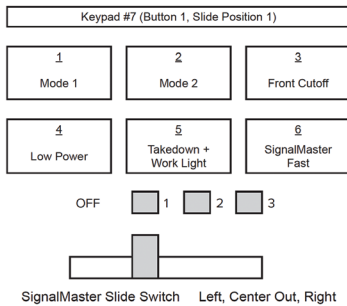




**NEW Navigator Six-button Convergence Network Controller**



**NEW Legend Six-button Convergence Network Controller**





**NEW Valor/Integrity/Allegiant Nine-button Convergence Network Controller**

Keypad #1 - Default (Button 1)		
1 Mode 1 + Aux 1	2 Mode 2 + Aux 1 & 2	3 Low Power
4 Left Scene/Right Scene/Full*	5 Work Lights	6 Flashing White
7 SM Left	8 SM Center Out	9 SM Right

Keypad #2 (Button 2)		
1 Mode 1 + Aux 1	2 Mode 2 + Aux 2	3 Mode 3 + Aux 1 & 2
4 Front SM Left	5 Front SM Center	6 Front SM Right
7 Rear SM Left	8 Rear SM Center Out	9 Rear SM Right

Keypad #3 (Button 3)		
1 Mode 1 + Aux 1	2 Mode 2 + Aux 1 & 2	3 Left Alley/Right Alley/Takedown*
4 Left Scene/Right Scene/Full*	5 Work Light	6 Bed Light
7 L/R/CO*	8 Low Power	9 Front Cutout

Keypad #4 (Button 4)		
1 Mode 1 + Aux 1	2 Mode 2 + Aux 2	3 Mode 3 + Flashing White + Aux 1 & 2
4 Left Scene/Right Scene/Full*	5 Work Light + Bed Light	6 Low Power
7 SM Left	8 SM Center Out	9 SM Right

Keypad #5 (Button 5)		
1 Mode 1	2 Mode 2 + Aux 1 + Flashing White	3 Low Power
4 Front Flood	5 Work Light	6 Bed Light
7 SM Left	8 SM Center Out	9 SM Right

Keypad #6 (Button 6)		
1 Mode 1 + Aux 1	2 Mode 2 + Aux 2	3 Low Power
4 Takedown	5 Work Light	6 Bed Light
7 Right Alley	8 Left Alley	9 Cruise Ends

**T I M I N G**

The new Four-, Six-, and Nine-Button Convergence Network Controllers are available for order today.