

25500320 Rev. A0 0416

Safety Message to Installers and Service Personnel of Emergency Vehicle Safety Equipment

⚠ WARNING

The lives of people depend on your proper installation and servicing of Federal Signal products. It is important to read and follow all instructions shipped with this product. In addition, listed below are some other important safety instructions and precautions you should follow:

Before Installation or Service

Qualifications

- To properly install or service this equipment, you must have a good understanding of automotive electrical procedures and systems along with proficiency in the installation and service of safety warning equipment. Always refer to the vehicle service manuals when installing equipment on a vehicle.

Electrical Hazards

- Never attempt to install aftermarket equipment that connects to the vehicle wiring without reviewing a vehicle wiring diagram available from the vehicle manufacturer. Ensure that your installation will not affect vehicle operation and safety functions or circuits.

During Installation or Service

- To avoid a battery explosion, always disconnect the negative battery cable first and reconnect it last. Avoid a spark when connecting near or to the battery. The gasses produced by a battery can cause a battery explosion that could result in vehicle damage and serious injury.
- Do not install equipment or route wiring or a plug-in cord in the deployment path of an airbag.
- Before mounting any components, check the manual to be sure that the component you are installing is suitable for use in that area of the vehicle. Many components are not suitable for use in the engine compartment or in other areas subject to extreme environmental exposure.
- When drilling into a vehicle structure, be sure that both sides of the surface are clear of anything that could be damaged. Remove all burrs from drilled holes to prevent electrical shorts, grommet all drilled holes through which wiring passes. Also ensure that mounting screws do not cause electrical or mechanical damage to the vehicle.

After Installation or Service

- If a vehicle seat is temporarily removed, verify with vehicle manufacturer if the seat needs to be recalibrated for proper airbag deployment.
- To ensure proper operation, test all vehicle functions, including horn operation, vehicle safety functions, and vehicle light systems. Ensure that installation has not affected vehicle operation or changed any vehicle safety function or circuit.
- After installation and testing are complete, provide a copy of these instructions to instructional staff and all operating personnel.
- File these instructions in a safe place and refer to them when maintaining and/or reinstalling the product.

Failure to follow all safety precautions and instructions may result in property damage, serious injury, or death.

Overview of the HRX-MESH Mesh Screen

The HRX-MESH is an optional mesh screen that can be added to the HRX Series headache rack. It is secured to the rear of the rack with self-tapping/self-drilling screws.

- ▶ **IMPORTANT:** Before installing the HRX headache rack to the truck bed, install the mesh screen to the headache rack.

Unpacking the Product

After unpacking the product, inspect it for damage that may have occurred in transit. If it has been damaged, do not attempt to install or operate it. File a claim immediately with the carrier, stating the extent of damage.

Failure to identify damage before installation could lead to rejection of any claim. Carefully check all envelopes, shipping labels, and tags before removing or destroying them. Ensure that the parts listed in Table 1 are included in the package. If you are missing any parts, contact Federal Signal Customer Support at 1-800-264-3578, 7 a.m. to 5 p.m., Monday through Friday (CT). Disposal of all shipping materials must be carried out in accordance with national and local codes and standards.

Table 1 Kit contents

Item	Qty.	Description
1	1	HRX-MESH Screen
2	13	#10 x 3/4" Phillips Modified Truss-Head, Self-Tapping/Self-Drilling Screws

Installing the Mesh Screen

NOTICE

THREAD DAMAGE AND GALLING: To prevent thread damage and galling, anti-seize lubricant must be used on all stainless steel fasteners.

1. Place the rack on a secure flat surface with the rear of the rack facing up.
2. See Figure 1 on page 3. Center the screen over the rack. The semicircular cutouts in the top lip of the screen fit over the two outermost tubes in the rack. The bottom lip of the rack rests on the bottom rail of the rack.
4. See Figure 2. Secure the screen to the tubes using four of the included screws.
5. See Figure 3 on page 4. Turn the rack over and secure the bottom rail to the rack with five screws.
6. Secure the bottom rail to the rack with four screws.
7. Install the rack according to the instructions provided with the rack.

Figure 1 Screen centered on the back of the headache rack

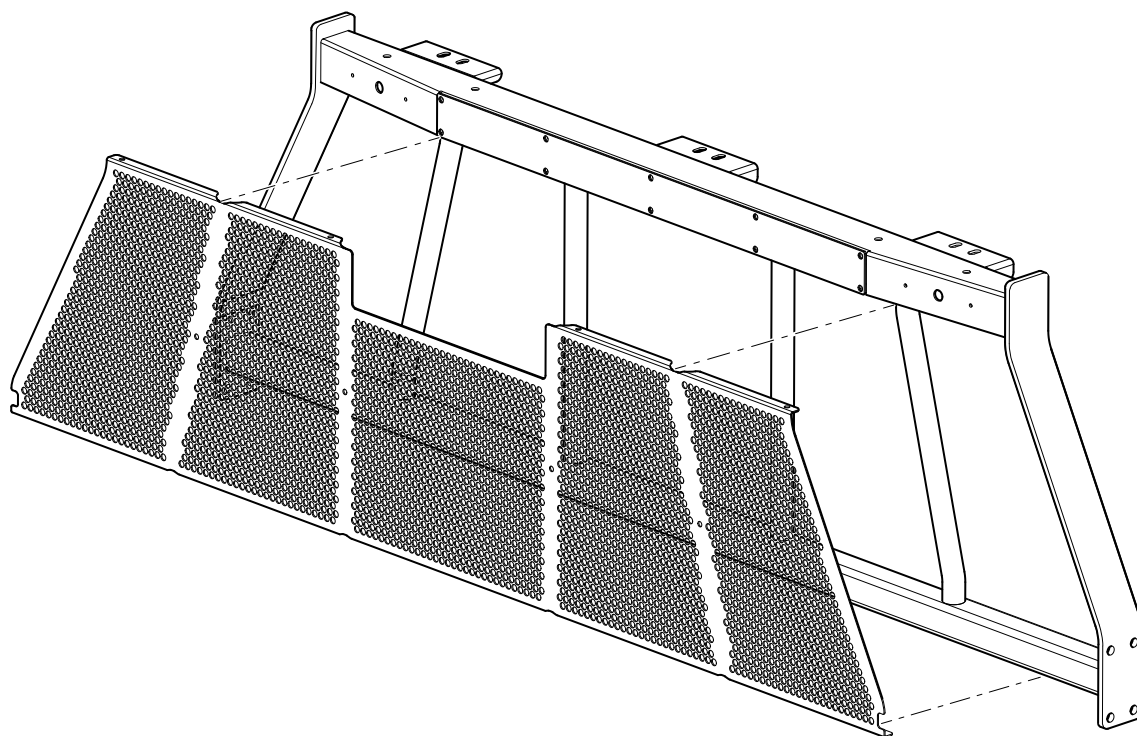


Figure 2 Screen secured from the back of headache rack with four #10 screws

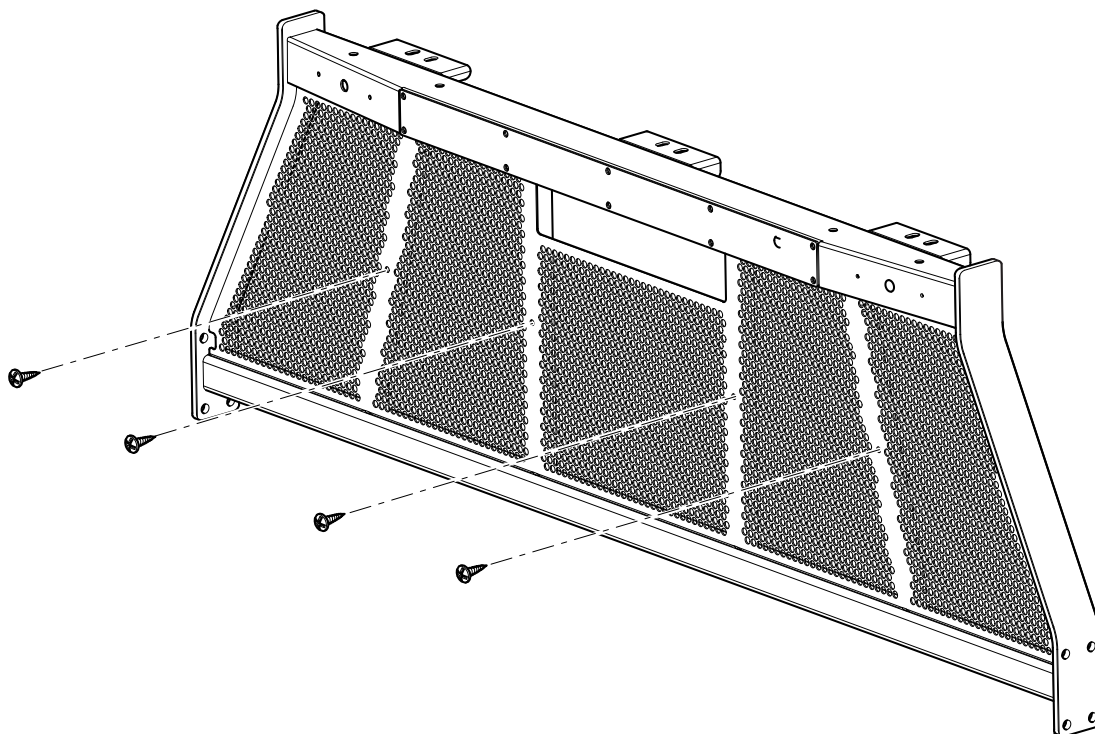
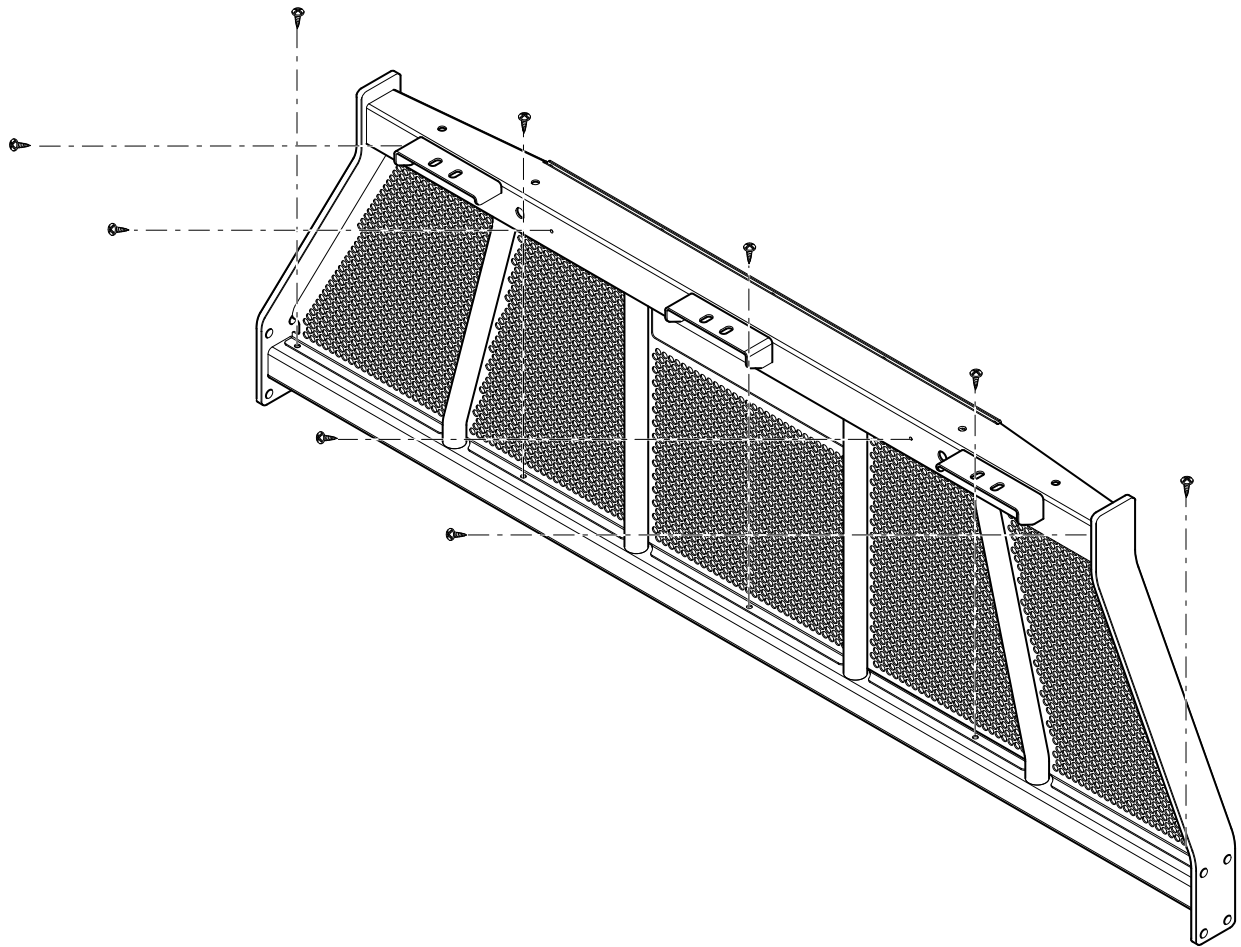


Figure 3 Screen secured from the front with nine #10 screws



Maintaining the Mesh Screen

Regularly clean stainless steel and gloss black finishes with a mild soap and water. Apply a non-abrasive wax or polish. To polish small scratches on stainless steel, use stainless steel polish. To avoid making scratches on the stainless steel surfaces, follow the grain of the steel while polishing.

Getting Technical Support and Service

Federal Signal Corporation will service your equipment or provide technical assistance with any problems that cannot be handled locally. Any product returned to Federal Signal for service, inspection, or repair must be accompanied by a Return Material Authorization number. The RMA number can be obtained from your local distributor or Federal Signal. Please provide a brief explanation of the service requested or the nature of the malfunction. Contact your local dealer/distributor for replacement parts availability or contact the Federal Signal Service Department (7 a.m. to 5 p.m., Monday through Friday, Central Time) at:

Service Department
Federal Signal Corporation
2645 Federal Signal Drive
University Park, IL 60484-3167
800-433-9132, 800-343-9706 (fax)
www.fedsig.com