

**INSTALLATION INSTRUCTIONS
FOR MODEL 330506 SIDE WINDOW MOUNT
FOR 3300 SERIES LIGHT HEAD**

SAFETY MESSAGE TO INSTALLERS



The lives of people depend on your proper installation and servicing of Federal products. It is important to read and follow all instructions shipped with the products. In addition, listed below are some other important safety instructions and precautions you should follow:

- To properly install this light, you must have a good understanding of automotive systems, along with proficiency in the installation and use of safety warning equipment.
- DO NOT install equipment or route wiring in the deployment path of an airbag.
- When drilling into a vehicle structure, be sure that both sides of the surface are clear of anything that could be damaged.
- In order for the light to function properly, a separate ground connection must be made. If practical, it should be connected to the negative battery terminal. At a minimum, it may be attached to a solid metal body or chassis part that will provide an effective ground path as long as the light system is to be used.
- Locate the light control so the VEHICLE and CONTROL can be operated safely under all driving conditions.
- Do not attempt to activate or deactivate light control while driving in a hazardous situation.
- You should frequently inspect the light to ensure that it is operating properly and that it is securely attached to the vehicle.
- This product contains high intensity LED devices. To prevent permanent eye damage, DO NOT stare into the light beam at close range.
- The light should be frequently inspected to ensure that it is operating properly and that it is securely attached to the vehicle.
- File these instructions in a safe place and refer to them when maintaining and/or reinstalling the product.

Failure to follow all safety precautions and instructions may result in property damage, serious injury, or death to you or others.

A. GENERAL.

The Model 330506 is a bracket for mounting a 3300 series light head in the rear side window of a Ford Crown Victoria. To complete this installation a surface mount bezel (Model 330501) must be purchased separately.

B. UNPACKING.

After unpacking, inspect the system for damage that may have occurred in transit. If any parts are damaged or missing, do not attempt to install or operate it. File a claim immediately with the carrier, stating the extent of the damage. Carefully check all envelopes, shipping labels and tags before removing or destroying them. Ensure that all parts in the following KIT CONTENTS LIST have been included.

C. KIT CONTENTS LIST.

Qty	Description	Part No.
2	Bracket	82831055
8	#8-32, Pan Hd, Phil	7000A408-05
8	#8-32 Acorn Nut	7054017
8	#8 Split Lock Washer	7074A005

D. INSTALLATION.



This product is intended for supplemental warning and for use in conjunction with an approved primary warning light system. Consult local codes and regulations to determine if the power supply/ light head combination complies with the horizontal or vertical mount positioning desired in your application.



When installing equipment inside air bag equipped vehicles, the installer MUST ensure that the equipment is installed ONLY in areas recommended by the vehicle manufacturer. Failure to observe this warning will reduce the effectiveness of the air bag, damage the air bag, or potentially damage or dislodge the equipment, causing serious injury or death to you or others.

1. Remove the rear door panel assembly. Specific removal instructions can be found in the factory service manual.

2. See figure 1. Attach the bezel to the bracket using the supplied hardware.

3. Route wire from light head as desired through bracket and snap light head into place.

4. Position the assembly at the desired location on the rear door of the vehicle. This position should lie within the non-movable area of window glass. Using the assembly as a template, mark the three mounting hole locations.

CAUTION

Before drilling holes in ANY part of a vehicle, be sure that both sides of the mounting surface are clear of parts that could be damaged; such as brake lines, fuel lines, electrical wiring or other vital parts.

5. Center punch the marks and drill appropriate size holes for the user supplied mounting hardware.

6. Refer to instruction packaged with the light head for all electrical connections.

7. Replace the door panel assembly according to the manufactures instructions.

8. Repeat this procedure for the opposite side of the vehicle.

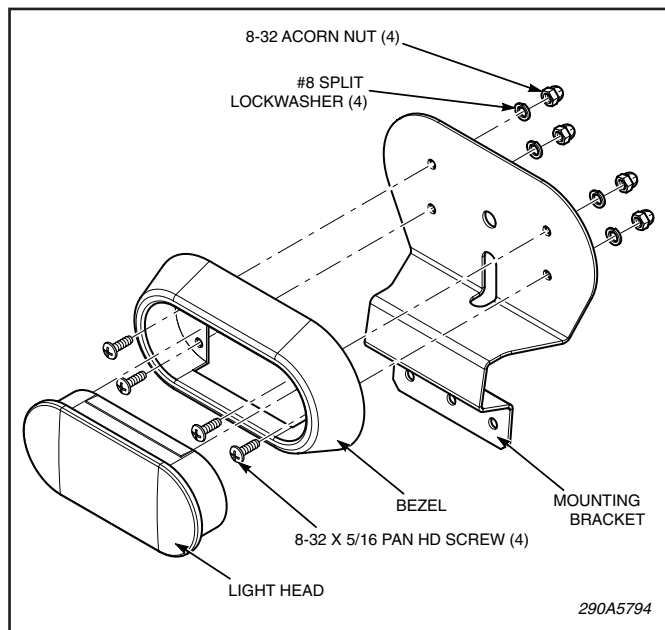


Figure 1.

SAFETY MESSAGE TO OPERATORS

WARNING

The lives of people depend on your safe operation of Federal products. It is important to read and follow all instructions shipped with the products. In addition, listed below are some other important safety instructions and precautions you should follow:

- Although your warning system is operating properly, it may not be completely effective. People may not see or heed your warning signal. You must recognize this fact and continue driving cautiously.
- Also, situations may occur which obstruct your warning signal when natural or man made objects are between your vehicle and others, such as: raising your hood or trunk lid. If these situations occur, be especially careful.
- This product contains high intensity LED devices. To prevent permanent eye damage, DO NOT stare into the light beam at close range.
- At the start of your shift, you should ensure that the light is securely attached and operating properly.
- Failure to follow these safety precautions may result in property damage, serious injury, or death to you, to passengers, or to others.

RETAIN AND REFER TO THIS MESSAGE

E. MAINTENANCE.

1. *General.*

Check periodically to ensure that all brackets and fasteners are secure.

2. *Replacement Parts.*

Contact your local dealer/distributor for replacement parts availability or contact the Federal Signal Service Department at:

Service Department
Federal Signal Corporation
2645 Federal Signal Drive
University Park, IL 60466

800-433-9132
800-343-9706 (Fax)
empserviceinfo@fedsig.com

Copyright 2007 Federal Signal Corporation