



FEDERAL SIGNAL

Safety and Security Systems / Industrial

Advancing security and well-being.

Commander® Rotating Light Models 371-120 and 371L-120



Installation and Maintenance Manual

256914G
REV. G 613
Printed in U.S.A.

français.....page 21
español.....página 41



Warranty – Seller warrants all goods for five years on parts and 2-1/2 years on labor, under the following conditions and exceptions: Seller warrants that all goods of Seller's manufacture will conform to any descriptions thereof for specifications which are expressly made a part of this sales contract and at the time of sale by Seller such goods shall be commercially free from defects in material or workmanship. Seller reserves the right at the Seller's discretion to "Repair and Return" or "Replace" any item deemed defective during the warranty period. This warranty does not cover travel expenses, the cost of specialized equipment for gaining access to the product, or labor charges for removal and reinstallation of the product. This warranty shall be ineffective and shall not apply to goods that have been subjected to misuse, neglect, accident, damage, improper maintenance, or to goods altered or repaired by anyone other than Seller or its authorized representative, or if five years have elapsed from the date of shipment of the goods by Seller with the following exceptions: lamps and strobe tubes are not covered under this warranty. Outdoor warning sirens and controllers manufactured by Federal Warning Systems are warranted for two years on parts and one year on labor. No agent, employee, representative or distributor of Seller has any authority to bind the Seller to any representation, affirmation, or warranty concerning the goods and any such representation, affirmation or warranty shall not be deemed to have become a part of the basics of the sales contract and shall be unenforceable. THE FOREGOING WARRANTIES ARE EXCLUSIVE AND IN LIEU OF ALL OTHER WARRANTIES OR MERCHANTABILITY, FITNESS FOR PURPOSE AND OF ANY OTHER TYPE, WHETHER EXPRESS OR IMPLIED. These warranties shall not apply unless Seller shall be given reasonable opportunity to investigate all claims for allegedly defective goods. Upon Seller's instruction a sample only of allegedly defective goods shall be returned to Seller for its inspection and approval. The basis of all claims for alleged defects in the goods not discoverable upon reasonable inspection thereof pursuant to paragraph 8 hereof must be fully explained in writing and received by Seller within thirty days after Buyer learns of the defect or such claim shall be deemed waived.



Industrial Systems

2645 Federal Signal Drive • University Park, IL 60484-3167
Tel.: 1-708-534-4756 • 1-877-289-3246 • Fax: 1-708-534-4852
www.federal-signal-indust.com • www.fs-isys.com

Contents

Safety Messages to Installers	5
An Overview of Models 371-120 and 371L-120	6
Unpacking the Light	7
Mounting the Light	8
Pipe Mounting the Light	8
Surface Mounting the Light	9
Adjusting the Light Beam	9
Wiring the Light	10
Safety Messages to Maintenance Personnel	13
Replacing the Lamp	14
Maintaining the Model 371/371L.....	15
Cleaning the Dome	16
Getting Repair Service or Technical Assistance	16
Ordering Accessories and Replacement Parts	16
Returning a Product for Credit.....	17

Tables

Table 1 Electrical and environmental ratings	7
Table 2 Dimensions.....	7
Table 3 Accessories	16
Table 4 Replacement parts	17

Figures

Figure 1 Mounting options 8

Figure 2 Adjusting the light beam 10

Figure 3 Connecting leads to the terminal block..... 12

Figure 4 Replacing the lamp..... 15

Safety Messages to Installers

⚠ WARNING

It is important to follow all instructions shipped with this product. This device is to be installed by a trained electrician who is thoroughly familiar with the National Electrical Code and/or Canadian Electrical Code and will follow the NEC and/or CEC Guidelines as well as all local codes. This light should be considered a part of the warning system and not the entire warning system.

The selection of the mounting location for the light, its controls and the routing of the wiring are to be accomplished under the direction of the facilities engineer and the safety engineer. In addition, listed below are some other important safety instructions and precautions you should follow:

- Read and understand all instructions before installing or operating this light.
- Do not connect this light to the system when power is on.
- After installation, make sure that all set screws and threaded joints are properly tightened.
- After installation, test the light to make sure that it is operating properly.
- After testing is complete; provide a copy of this instruction booklet to all personnel.
- Establish a procedure to routinely check the light for proper activation and operation.

Failure to follow all safety precautions and instructions may result in property damage, serious injury, or death.

An Overview of Models 371-120 and 371L-120

Federal Signal Models 371-120 and 371L-120 incandescent warning lights have a powerful sealed beam lamp that rotates 360 degrees within a glass or polycarbonate dome. Power is delivered to the Commander® rotating lamp by a unique collector ring. The lamp itself is mounted in a pivoting yoke. This allows the beam angle to be adjusted through 90 degrees from horizontal to vertical. Changing the beam angle enables the you to create unique light patterns and direct the light for better visibility.

The Model 371 features a 200-watt sealed-beam lamp and a high-temperature-resistant glass dome. The glass dome of the 371 is ideal for applications such as steel mills or arc furnaces/smelters where high ambient temperatures or red hot materials would melt or damage the dome. The Model 371 is available in three colors: amber, blue, and red.

The Model 371L features a 100-watt sealed-beam lamp and an impact-resistant polycarbonate dome. The thinner polycarbonate dome allows more light to pass through while protecting the lamp. The Model 371L is available in five colors: amber, blue, clear, green, and red. The dome-and-ring assembly screws on, providing access to the interior of the light.

The base features textured black powder paint for greater corrosion-resistance. Wiring can be routed through the pipe-mount opening in the bottom of the light or the two side knockouts can be used for side entry wiring. Installation can be surface or 1-inch NPT pipe mount.

Optional wall and corner mount brackets are available. The LWMB2 wall-mount bracket and the LCMB2 corner-mount bracket can be used to mount the Model 371/371L. For surface mounting on solid substrates, the separately purchased Model 371BRCKT three-point surface-mount bracket is available.

The 371-120 and 371L-120 are Type 4X, IP66 rated, UL and cUL Listed and CSA Certified.

Unpacking the Light

After unpacking the light, examine it for damage that may have occurred in transit. If the light has been damaged, do not attempt to install or operate it. File a claim immediately with the carrier, stating the extent of the damage. Carefully check all envelopes, shipping labels, and tags before removing or discarding them. Disposal of all shipping materials must be carried out in accordance with national and local codes and standards. If any parts are missing, please call Federal Signal Customer Support at 708-534-4756 or 877-289-3246.

Table 1 Electrical and environmental ratings

Operating Voltage:	120 Vac 50 Hz/60 Hz
Flash Rate:	60 FPM
Candle Power: 371 371L	36,000 20,000
Lamp Life:	2,000 Hours
Light Source: 371 371L	200 W Sealed Beam 100 W Sealed Beam
Operating Temperature:	-31 °F to 150 °F (-35 °C to 66 °C)
Environmental Ratings:	Type 4X, IP66

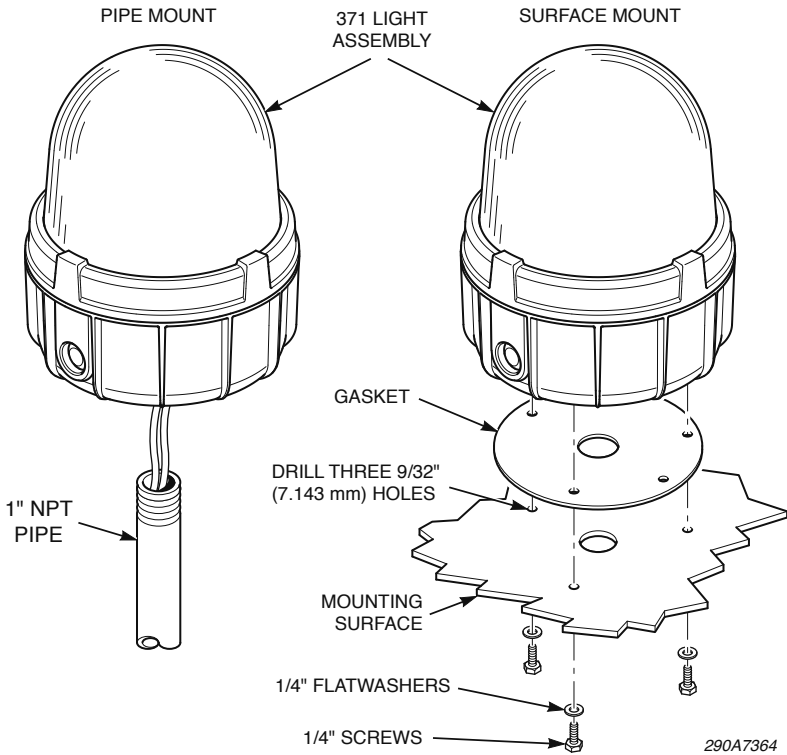
Table 2 Dimensions

Height:	11.38 in (288.9 mm)
Diameter:	9.12 in (231.6 mm)
Net Weight: 371 371L	13.25 lb (6.0 kg) 9.8 lb (4.4 kg)
Shipping Weight: 371 371L	14.3 lb (6.5 kg) 10.8 (4.9)

Mounting the Light

The Model 371/371L light is designed for mounting on a flat horizontal surface or on a 1" NPT pipe. For surface mounting on solid substrates, the separately purchased Model 371BRCKT surface mounting bracket can be used. If conduit side-entries are to be used, disassemble the light as described in “Wiring the Light” on page 10 and remove one or more knockouts with a blunt tool before mounting the light. Use a file to remove excess flash around the knockout.

Figure 1 Mounting options



Pipe Mounting the Light

Attach the light to the 1-inch NPT pipe by threading the light clockwise on the pipe (Figure 1). For information on making the electrical connections, see “Wiring the Light” on page 10.

Surface Mounting the Light

To mount the light on a flat surface:

1. Using the gasket as a template, scribe four drill-position marks on the mounting surface (Figure 1).
2. Drill a 9/32" (7.1 mm) diameter hole at each of the outside drill position marks for mounting.
3. Drill or punch a 1-3/8" (34.9 mm) diameter hole at the center drill-position mark for the wire entry.
4. Attach suitable 1" NPT hub or connector to conduit entrance in bottom of light. For Type 4X/IP66 applications, the hub or connector must be suitably rated (Myers® STTTB-2 or T&B® H100-TB hubs are recommended.)
5. Set the light on the gasket and attach it to the mounting surface with the provided 1/4" screws and washers.
6. For information on making the electrical connections, see the next section.

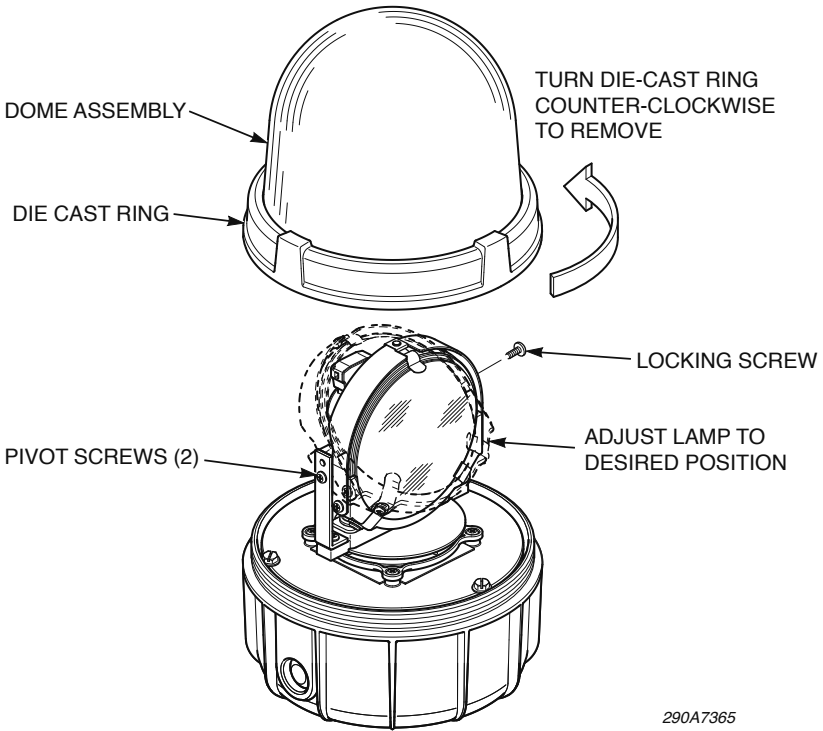
Adjusting the Light Beam

The light is shipped from the factory with the lamp in the horizontal position.

To change the angle of the lamp:

1. See Figure 2 on page 10. Remove the dome assembly by grasping the die-cast ring attached to the dome and turning it counter-clockwise.
2. Remove the locking screw.
3. Loosen the two pivot screws and adjust the lamp to the desired position.
4. Tighten the two pivot screws to secure the lamp in position.
5. Reinstall the dome assembly.

Figure 2 Adjusting the light beam



290A7365

Wiring the Light

⚠ WARNING

SHOCK HAZARD—To avoid electrical shock hazards, do not connect wires while power is applied.

The Model 371/371L comes assembled from the factory with two color-coded leads for wiring to a junction box. If desired, the factory leads can be removed and the supply connections can be directly made to the terminal block located on the backside of the motor mounting base as described below.

To wire the light:

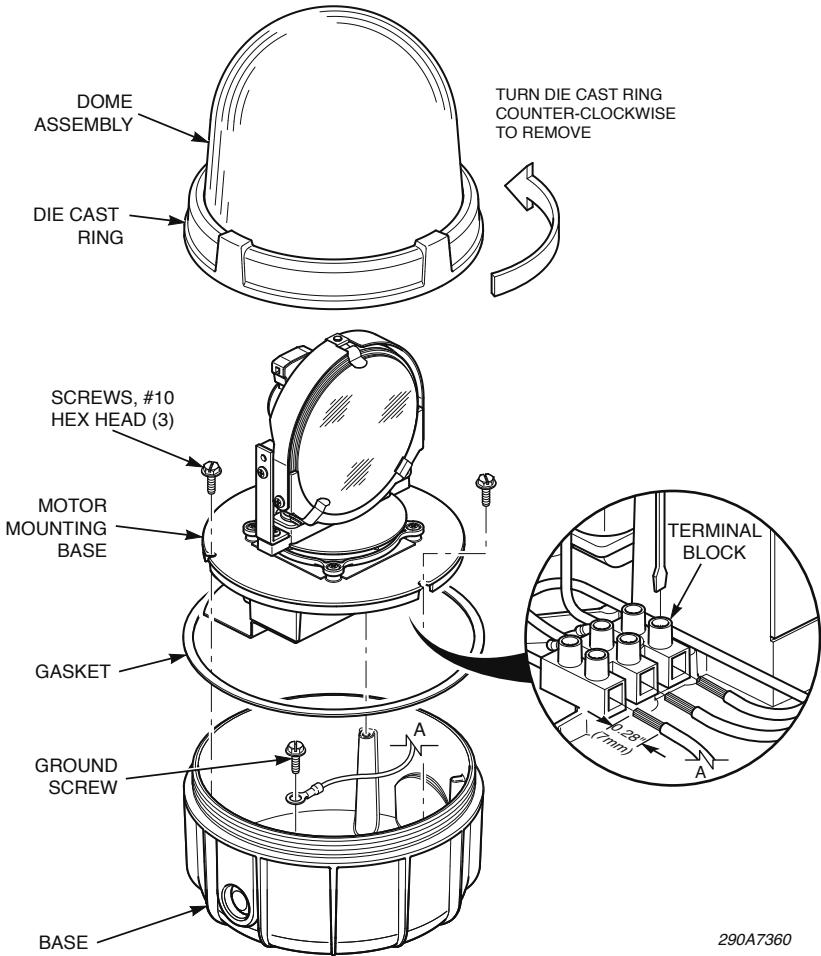
1. Disassemble the light (Figure 3 on page 12):

- a) Remove dome assembly by grasping the die-cast ring attached to the dome and turning it counter-clockwise.
 - b) Remove three #10 hex head screws that secure motor mounting base to housing.
 - c) Remove motor mounting base.
 - d) If desired, remove the factory supplied leads from the terminal block.
2. If you are using conduit side-entries, attach a Myers® STTTB-2 or a T&B® H075TBH 3/4-inch NPT conduit hub with a 3/4-inch NPT close nipple (both user-supplied) to the housing and tighten the hub securely. When side entries are used, the bottom 1-inch NPT conduit entry must be plugged with a threaded plug (user-supplied). (See Table 3 “Accessories” on page 17).
 3. Route the supply wires (10 AWG to 16 AWG) into the light housing, taking care to keep wires clear of the motor fan.
 4. Strip a maximum of 0.28 in (7 mm) of insulation from the ends of the power leads. Connect the wires to the terminal block by inserting the stripped ends of the wires into the connectors as far as they can travel.
 5. Tighten the clamping screw. The maximum tightening torque is 7.0 in-lb (0.8 N•m).

IMPORTANT: Proper grounding of the light requires two connections to a solid earth ground.

6. See Figure 3 on page 12. Connect the earth ground to the terminal block and the green ground screw located in light housing.
7. Reassemble the light and test it for proper operation.

Figure 3 Connecting leads to the terminal block



Safety Messages to Maintenance Personnel

Listed below are some important safety instructions and precautions you should follow:

- Read and understand all instructions before operating this system.
- Any maintenance to the light system must be done with the power turned off.
- Any maintenance to the light system must be performed by a trained electrician in accordance with NEC/CEC Guidelines and local codes.
- Never alter the unit in any manner. Safety may be endangered if additional openings or other alterations are made to units.
- The nameplate, which contains cautionary or other information of importance to maintenance personnel, should not be obscured.
- If the dome is damaged in any way, the complete dome assembly **MUST** be replaced.
- After performing any maintenance, test the light system to ensure that it is operating properly.

Failure to follow all safety precautions and instructions may result in property damage, serious injury, or death.

Replacing the Lamp

⚠ WARNING

SHOCK HAZARD—*To avoid electrical shock hazards, do not connect wires while power is applied.*

To replace the lamp:

1. Disconnect power to the light.
2. Remove the dome assembly by grasping the die-cast ring attached to the dome and turning it counter-clockwise.

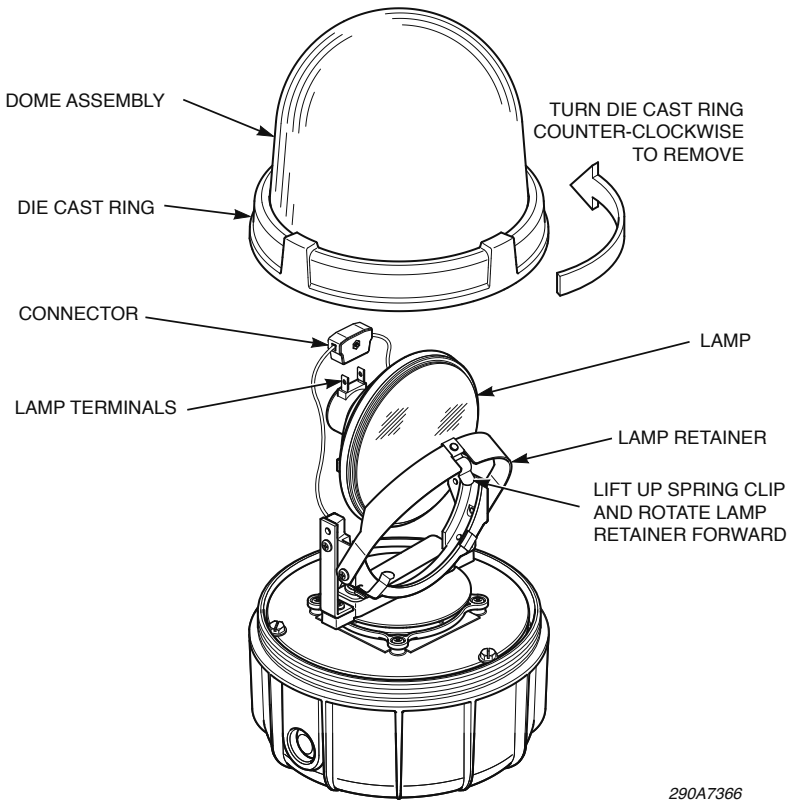
NOTE: If the dome assembly is difficult to remove, place a screwdriver blade against one of the four bosses on the die-cast ring attached to the dome. Gently tap the screwdriver handle to loosen the dome assembly from the housing.

⚠ WARNING

MAINTAIN WATERTIGHTNESS—*To maintain the watertight enclosure, do not damage dome or threads while disassembling or reassembling the unit. Lubricated threaded joints exposed for long periods of time may attract small particles of dirt or other foreign materials. Re-assemble joint immediately after performing maintenance.*

3. Lift the connector from the lamp terminals.
4. Lift the spring clip at the top of the lamp and rotate the curved lamp retainer toward the front of the lamp. Lift out the lamp.
5. Install the replacement lamp by placing the edge of the lamp into the groove of the die-cast lamp holder. Rotate the lamp so that its prongs point straight up.
6. Rotate the lamp retainer up until the spring clip snaps over the edge of the lamp.
7. Replace the connector on the lamp terminals.
8. Replace the dome assembly by turning it clockwise until it is seated securely against the gasket.
9. Test the light for proper operation.

Figure 4 Replacing the lamp



Maintaining the Model 371/371L

Establishing a regular maintenance schedule for the Model 371/371L extends the life of the light and ensures safety. Periodically check that the light operates properly. Also, inspect the dome for cracks, crazing (hairline cracks), discoloration, and other defects.

- Lubricate the lamp shaft bearings with a light machine oil every 12 months or 5,000 hours of service, whichever comes first.
- The worm and worm gear rarely require lubrication. However, if lubrication is required use a light high-quality grease.

Installation and Maintenance Instructions

- The motor is equipped with sealed bearings and requires no maintenance.
- The threaded dome ring joint should be well lubricated with petroleum or a soap-thickened mineral oil. If corrosive products have accumulated on joints and cannot readily be removed with solvents, the parts should be discarded and replaced.

Cleaning the Dome

NOTE: Maintenance procedures sometimes require fixtures to be hosed down for good housekeeping. The electrical circuit should be turned off prior to hosing down the light.

Clean the dome periodically to maintain maximum light output. Use only mild, non-abrasive cleaning agents.

Getting Repair Service or Technical Assistance

Products returned for repair require a Return Authorization form from your local distributor or from Federal Signal. To obtain repair service or technical assistance from Federal Signal, call 708-534-4756 or 877-289-3246. For instruction manuals and information on related products, visit: <http://www.federal-signal-indust.com>.

Ordering Accessories and Replacement Parts

Typical spare parts are listed in Table 4. To order accessories and replacement parts, call Federal Signal Customer Support at 708-534-4756 or 877-289-3246.

Table 3 Accessories

Description	Part Number
Wall Mount Bracket	LWMB2
Corner-Mount Bracket	LCMB2
Mounting Bracket, Surface	371BRCKT
Kit, Shock Mount	K8459A076
Conduit Hub Kit, 3/4" NPT	K8459138
Close-Up Plug, 1" NPT	K8459130

Table 4 Replacement parts

Description	Part Number
Plastic Dome Assembly, Amber (371L)	K8459125
Plastic Dome Assembly, Blue (371L)	K8459125-01
Plastic Dome Assembly, Clear (371L)	K8459125-02
Plastic Dome Assembly, Green (371L)	K8459125-03
Plastic Dome Assembly, Red (371L)	K8459125-04
Glass Dome Assembly, Amber (371)	K8459126
Glass Dome Assembly, Blue (371)	K8459126-01
Glass Dome Assembly, Red (371)	K8459126-02
Gasket, Dome Ring	K8459123
Gasket, Surface Mount	K8459127
Lamp, 100 W, (125 V/130 V) (100PAR46/3NSP)	K8107A130
Lamp, 200 W, (125 V/130 V) (200PAR46/3NSP)	K8442A039
Kit, Motor Replacement	K8459A113
Brush and Spring	K8442A028

Returning a Product for Credit

Product returns for credit require a return authorization from your local distributor prior to returning the product to Federal Signal. Please contact your distributor for assistance.

A product is qualified to be returned for credit when the following conditions are met:

- Product is resalable and in the original cartons
- Product has not been previously installed
- Product is the current revision
- Product has not been previously repaired
- Product is a standard product
- Product is not a service part

Installation and Maintenance Instructions

All returns are subject to a re-stock fee.

Defective products that are returned within the warranty period will be repaired or replaced at Federal Signal's sole discretion. Defective products do not include those products with lamp failure.

Circumstances other than those listed above will be addressed on a case-by-case basis



Industrial Products

2645 Federal Signal Drive

University Park, IL 60484-3167

Phone: 1-877-289-3246 • 1-708-534-4756 • Fax: 1-708-534-4887

www.federal-signal-indust.com • www.fs-isys.com

© 2013 Federal Signal Corporation. All rights reserved.



FEDERAL SIGNAL

Safety and Security Systems / Industrial

Advancing security and well-being.

Lumière pivotante Commander® Modèles 371-120 et 371L-120



***Manuel d'installation
et d'entretien***

256914G
REV. G 613
Imprimé aux États-Unis



Garantie – Le vendeur offre pour tous les produits une garantie de cinq ans sur les pièces et de 2,5 ans sur la main-d'œuvre, selon les conditions et exceptions suivantes : le vendeur garantit que tous les produits qu'il fabrique seront conformes aux descriptions correspondant aux spécifications qui font expressément partie de ce contrat de vente et qu'au moment de la vente par le vendeur, de tels produits devront être exempts de défauts de matériel et de fabrication. Le vendeur se réserve le droit, à sa discrétion, de « Réparer et retourner » ou « Remplacer » tout article jugé défectueux durant la période de garantie. Cette garantie ne couvre pas les frais de voyage, le coût de l'équipement spécialisé pour avoir accès au produit ou les frais de main-d'œuvre liés à l'enlèvement et à la réinstallation du produit. Cette garantie sera inopérante et ne s'appliquera pas aux produits qui ont subi un mauvais usage, une négligence, un accident, des dommages ou un entretien inapproprié, ou aux produits modifiés ou réparés par quelqu'un d'autre que le vendeur ou son représentant autorisé, ou si cinq ans se sont écoulés depuis la date de l'envoi des produits par le vendeur avec les exceptions suivantes : les lampes et les tubes stroboscopiques ne sont pas couverts par cette garantie. Les sirènes d'alarme extérieures et les appareils de contrôle fabriqués par Federal Warning Systems sont couverts par une garantie deux ans sur les pièces et de un an sur la main-d'œuvre. Aucun agent, employé, représentant ou distributeur du vendeur n'a autorité pour lier celui-ci à une représentation, affirmation, ou garantie relative au produit et une telle représentation, affirmation, ou garantie ne pourra pas être considérée comme faisant partie des généralités du contrat de vente et sera inexécutable. LES GARANTIES CI-DESSUS SONT EXCLUSIVES ET TIENNENT LIEU DE TOUTES LES AUTRES GARANTIES DE LA QUALITÉ MARCHANDE, DE COMPATIBILITÉ À UN USAGE PARTICULIER OU D'UN AUTRE TYPE, QU'ELLES SOIENT EXPRESSES OU IMPLICITES. Ces garanties ne s'appliqueront pas si le vendeur n'a pas la possibilité raisonnable d'enquêter sur toutes les réclamations de produits soi-disant défectueux. À la demande du vendeur, un échantillon seulement des produits soi-disant défectueux lui sera retourné pour inspection et approbation. La raison de toute réclamation pour de soi-disant défauts dans les produits ne pouvant être découverts après une inspection raisonnable en vertu du paragraphe 8 ci-contre doit être entièrement expliquée par écrit et reçue par le vendeur dans les trente jours après que l'acheteur ait pris connaissance du défaut ou une telle réclamation sera considérée comme nulle.



FEDERAL SIGNAL
Safety and Security Systems / Industrial

Industrial Systems

2645 Federal Signal Drive • University Park, IL 60484-3167
Tel.: 1-708-534-4756 • 1-877-289-3246 • Fax: 1-708-534-4852
www.federal-signal-indust.com • www.fs-isys.com

Contenu

Messages de sécurité destinés aux installateurs	25
Un aperçu des modèles 371-120 et 371L-120	26
Déballage de la lumière.....	27
Montage de la lumière.....	28
Montage sur tuyau de la lumière	28
Montage en saillie de la lumière.....	28
Ajustement du faisceau lumineux	30
Câblage de la lumière.....	31
Messages de sécurité destinés au personnel d'entretien	33
Remplacement du projecteur	34
Entretien du modèle 371/371L.....	35
Nettoyage du dôme	36
Service de réparation et assistance technique	36
Accessoires et pièces de rechange.....	36
Renvoi du produit pour obtention d'un crédit.....	38

Tableaux

Tableau 1 Valeurs électriques et environnementales	27
Tableau 2 Dimensions	28
Tableau 3 Accessoires	37
Tableau 4 Pièces de rechange	37

Figures

Figure 1 Options de montage 29

Figure 2 Ajustement du faisceau lumineux 30

Figure 3 Branchement des câbles au bornier 32

Figure 4 Remplacement du projecteur 35

Messages de sécurité destinés aux installateurs

⚠️ AVERTISSEMENT

Bien suivre toutes les instructions fournies avec ce produit. Cet appareil doit être installé par un électricien qualifié qui connaît parfaitement le Code national de l'électricité et/ou le Code canadien de l'électricité, et suivra les directives du CNE et/ou du CCE, ainsi que des codes locaux. Cette lumière doit être considérée comme faisant partie du système d'avertissement et non comme le système lui-même.

Le choix du lieu d'installation de la lumière, les commandes et le passage des câbles doivent s'effectuer sous la direction de l'ingénieur des installations et de l'ingénieur de la sécurité. De plus, d'autres précautions et instructions importantes relatives à la sécurité et à observer figurent dans la liste ci-dessous :

- Bien lire et comprendre toutes les instructions avant d'installer ou d'utiliser cette lumière.

Ne pas connecter ce dispositif au système lorsque ce dernier est sous tension.

- Après l'installation, vérifier que les vis sont bien serrées et que les joints filetés sont vissés jusqu'au bout.
- Après l'installation, tester la lumière pour vérifier son bon fonctionnement.
- Une fois le test terminé, distribuer un exemplaire de cette fiche d'instructions à l'ensemble du personnel d'exécution.
- Mettre en place une procédure visant à vérifier régulièrement l'intégrité et le bon fonctionnement de la lumière installée.

Le non-respect de toutes les précautions et instructions de sécurité peut provoquer des dommages à la propriété, des blessures graves voire la mort.

Un aperçu des modèles 371-120 et 371L-120

Les lumière d'avertissement à incandescence modèles 371-120 et 371L-120 de Federal Signal comportent un puissant projecteur monobloc qui pivote à 360 degrés dans un dôme en verre ou en polycarbonate. L'alimentation est acheminée à la lumière pivotante CommanderMD par une bague collectrice unique. Le projecteur est monté sur un bloc pivotant. Cela permet d'ajuster l'angle du faisceau lumineux à 90 degrés, de l'horizontale à la verticale. Modifier l'angle du faisceau vous permet alors de créer des schémas lumineux uniques et de diriger la lumière afin d'obtenir une meilleure visibilité.

Le modèle 371 possède un projecteur monobloc de 200 watts ainsi qu'un dôme en verre résistant aux températures élevées. Le dôme en verre du modèle 371 est idéal pour les applications telles que les aciéries ou les fours à arc/de fusion où les températures ambiantes élevées ou les matériaux très chauds pourraient fondre et endommager le dôme. Le modèle 371 est disponible en trois couleurs : ambre, bleu et rouge.

Le modèle 371L possède un projecteur monobloc de 100 watts ainsi qu'un dôme en polycarbonate résistant aux impacts. Le dôme en polycarbonate mince permet à davantage de lumière de passer, tout en protégeant le projecteur. Le modèle 371L est disponible en cinq couleurs : ambre, bleu, incolore, vert et rouge. Le montage du dôme et de la bague est vissé, cela permet d'accéder à l'intérieur de la lumière.

La base est recouverte d'une peinture en poudre noire texturée, pour une plus grande résistance à la corrosion. Le câblage peut être acheminé par l'ouverture du tuyau située dans le bas de la lumière, ou les deux entrées sectionnables latérales peuvent être utilisées pour une entrée latérale du câblage. L'installation peut être faite en montage en saillie ou en tuyau NPT de 25,4 mm (1 pouce).

Des supports de montage muraux ou en coin sont également disponibles en option. Le support de montage mural LWMB2 et le support de montage en coin LCMB2 peuvent être utilisés pour

le montage du modèle 371/371L. Pour le montage en saillie sur substrats solides, le support de montage en saillie à trois points de modèle 371BRCKT, acheté séparément, est disponible.

Les modèles 371-120 et 371L-120 sont de type 4X, classés IP66, listés UL et cUL et certifiés CSA.

Déballage de la lumière

Après avoir déballé la lumière, l'inspecter pour vérifier qu'aucun dommage n'est survenu lors du transport. Si la lumière a été endommagée, ne pas essayer de l'installer ou de l'utiliser.

Déposer immédiatement une réclamation auprès du transporteur en précisant l'étendue des dégâts. Vérifier avec soin toutes les enveloppes, étiquettes d'expédition et autres étiquettes avant de les retirer ou de les détruire. La mise au rébus de tout matériel de transport doit être effectuée conformément aux normes et codes locaux et nationaux. Si une pièce est manquante, communiquer avec le service à la clientèle de Federal Signal au 708-534-4756 ou 708-534-4852.

Tableau 1 Valeurs électriques et environnementales

Tension de fonctionnement :	120 V c.a. 50 Hz/60 Hz
Vitesse de clignotement :	60 FPM
Intensité lumineuse :	
371	36,000
371L	20,000
Durée de vie de l'ampoule :	2,000 heures
Source lumineuse :	
371	Projecteur monobloc de 200 W
371L	Projecteur monobloc de 100 W
Température de fonctionnement :	-35 °C à 66 °C (-31 °F à 150 °F)
Valeurs environnementales :	Type 4X, IP66

Tableau 2 Dimensions

Longueur :	288,9 mm (11,38 pouces)
Diamètre :	231,6 mm (9,12 pouces)
Poids net :	
371	6,0 kg (13,25 lb)
371L	4,4 kg (9,8 lb)
Poids d'expédition :	
371	6,5 kg (14,3 lb)
371L	10.8 kg (4.9 lb)

Montage de la lumière

La lumière du modèle 371/371L est conçue pour être montée à l'horizontale, sur une surface à plat ou sur un tuyau NPT de 2,5 cm (1 po). Pour le montage en saillie sur substrats solides, le support de montage en saillie modèle 371BRCKT acheté séparément peut être utilisé. Si les entrées latérales doivent être utilisées, démonter la lumière tel que décrit dans la section « Câblage de la lumière » à la page 31, et retirer une des entrées sectionnables, ou plus, à l'aide d'un outil émoussé avant de procéder au montage de la lumière. Utiliser une lime pour retirer les bavures sur le pourtour de l'entrée sectionnable.

Montage sur tuyau de la lumière

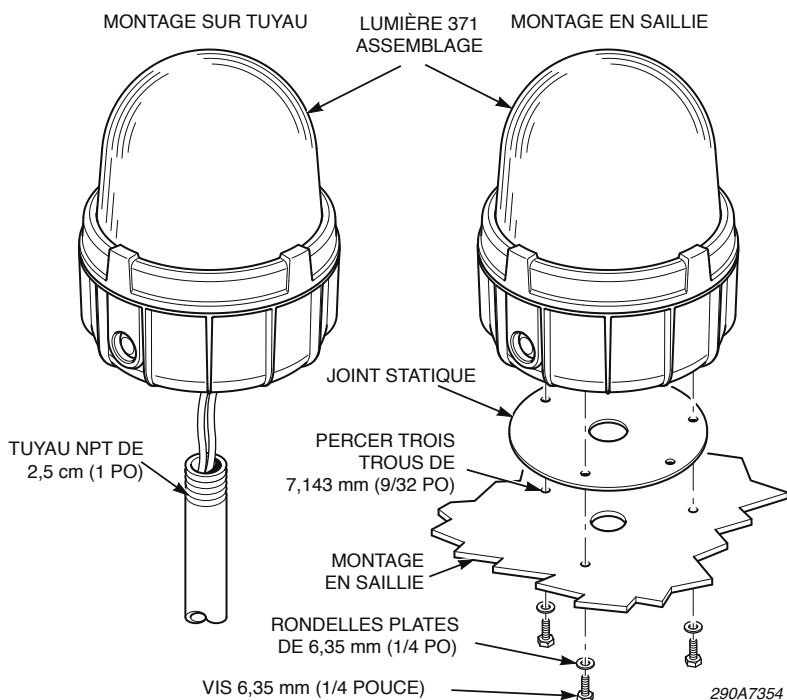
Fixer la lumière au tuyau NPT de 2,5 cm (1 po) et tournant la lumière sur le tuyau dans le sens horaire (Figure 1). Pour des informations au sujet des connexions électriques, consulter la section « Câblage de la lumière » à la page 31.

Montage en saillie de la lumière

Monter la lumière sur une surface à plat :

1. À l'aide du joint statique comme gabarit, faire quatre marques de repère sur la surface de montage pour le perçage (Figure 1).
2. Percer un trou de 7,1 mm (9/32 pouce) de diamètre au niveau de chaque repère extérieur pour le montage.

Figure 1 Options de montage



3. Percer ou perforez un trou de 34,9 mm (1-3/8 pouce) de diamètre au niveau du repère central pour l'entrée destinée au fil.
4. Fixer un concentrateur NPT de 2,5 cm (1 po) ou un connecteur approprié pour guider l'entrée dans la partie inférieure de la lumière. Pour les applications Type 4X/IP66, le concentrateur ou connecteur doit être correctement sélectionné (les concentrateurs Myers MDSTTTB-2 ou T&BMD H100-TB sont recommandés).
5. Régler la lumière sur le joint statique et la fixer sur la surface de montage à l'aide des vis de 6,4 mm (1/4 pouce) et des rondelles.
6. Pour des informations au sujet des connexions électriques, consulter la section suivante.

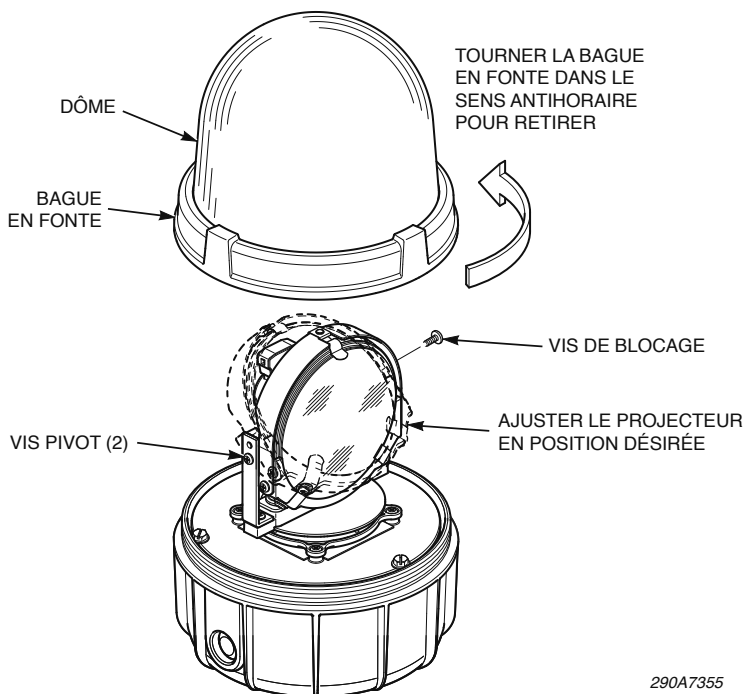
Ajustement du faisceau lumineux

La lumière est expédiée de l'usine avec le projecteur positionné en position horizontale.

Pour changer l'angle du projecteur :

1. Voir la Figure 2. Retirer le dôme en saisissant la bague en fonte fixée au dôme en la faisant tourner dans le sens antihoraire.

Figure 2 Ajustement du faisceau lumineux



2. Retirer la vis de blocage.
3. Desserrer les deux vis pivot et ajuster le projecteur en position désirée
4. Resserrer les deux vis pivot pour fixer le projecteur en place.
5. Remettre le dôme en place.

Câblage de la lumière

▲AVERTISSEMENT

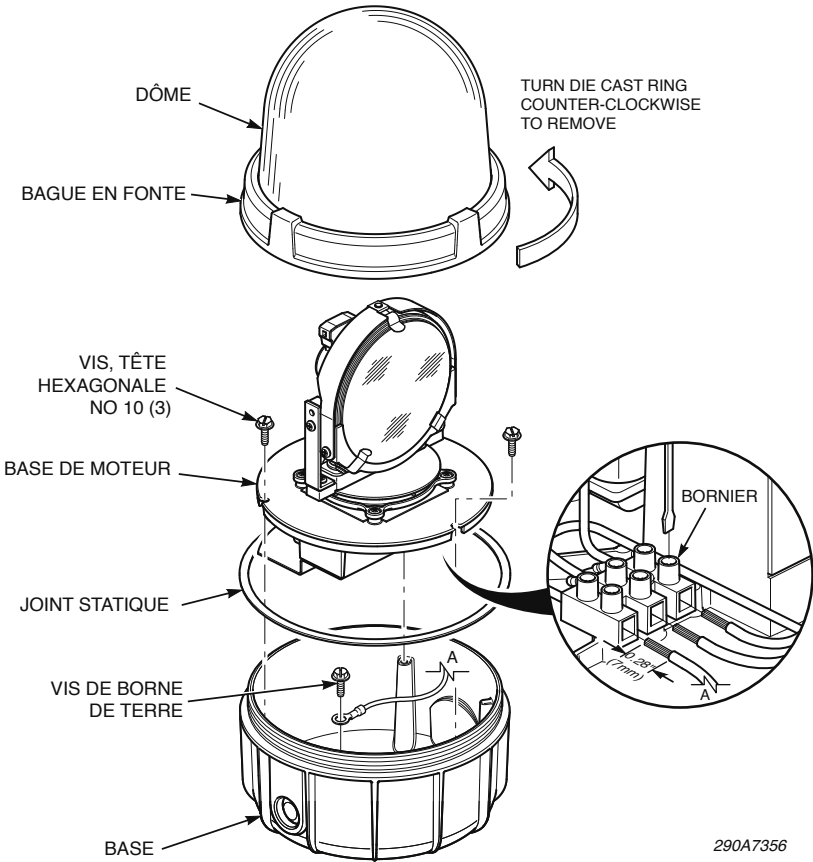
DANGERS LIÉS À UN CHOC—Afin d'éviter les dangers de chocs électriques, ne pas brancher de fil tant que l'alimentation est activée.

Le modèle 371/371L est livré déjà assemblé en provenance de l'usine avec deux fils à code de couleur pour le câblage à une boîte de jonction. Au besoin, les fils de l'usine peuvent être retirés et les connexions d'alimentation faites directement au bornier situé à l'arrière du moteur de la base de la lumière comme décrit ci-dessous.

Pour brancher la lumière :

1. Démontez la lumière (Figure 3 à la page 32) :
 - a) Retirez le dôme en saisissant la bague en fonte fixée au dôme en la faisant tourner dans le sens antihoraire.
 - b) Retirez les trois vis à tête hexagonale no 10 qui maintiennent le moteur de la base de la lumière au boîtier.
 - c) Retirez le moteur de la base.
 - d) Au besoin, retirez les fils d'usine du bornier.
2. Si des entrées de conduit latérales sont utilisées, fixez un concentrateur MyersMD STTTB-2 ou concentrateur NPT 19,1 mm (3/4 po) de type T&BMD H075TBH avec un mamelon simple NPT 19,1 mm (3/4 pouce) (fourni par l'installateur) au boîtier et bien serrez le concentrateur. Lorsque les entrées latérales sont utilisées, l'entrée de conduit inférieure NPT de 2,5 cm (1 po) doit être branchée à l'aide d'un bouchon fileté (fourni par l'installateur). (Voir le Tableau 4 « Accessoires » à la page 37).
3. Acheminez les câbles d'alimentation (10 AWG à 16 AWG) dans le boîtier de la lumière, en faisant bien attention de dégager les câbles du bloc ventilateur.

Figure 3 Branchement des câbles au bornier



290A7356

4. Retirer un maximum de 7 mm (0,28 pouce) d'isolant des extrémités des câbles d'alimentation. Brancher les fils sur le bornier en introduisant les extrémités retirées des fils dans les connecteurs aussi loin que possible.
5. Serrer la vis d'arrêt. Le couple de serrage maximum est de 0,8 N•m (7 po-lb).

IMPORTANT : Une mise à la terre adéquate de la lumière requiert deux connexions à une solide prise de terre.

6. Voir la Figure 3. Brancher la prise de terre au bornier et à la vis de borne de terre verte située dans le boîtier de la lumière.
7. Réassembler la lumière et vérifier son bon fonctionnement.

Messages de sécurité destinés au personnel d'entretien

Les précautions et instructions de sécurité à suivre sont listées ci-dessous :

- Bien lire et comprendre toutes les instructions avant d'utiliser ce système.
- Tout entretien du système lumineux doit être effectué lorsque l'alimentation est désactivée.
- Tout entretien du système lumineux doit être exécuté par un technicien formé conformément aux directives du CNE/CCE, ainsi qu'aux codes locaux.
- Ne jamais modifier cet appareil de quelque façon que ce soit. La sécurité peut être compromise si d'autres ouvertures sont ajoutées ou si d'autres modifications sont apportées à ces dispositifs.
- La plaque signalétique contenant des informations de mise en garde et autres informations importantes pour le personnel d'entretien ne doit pas être obscurcie.
- Si le dôme est endommagé de quelque façon que ce soit, l'intégralité du dôme DOIT être remplacée.
- Après avoir effectué l'entretien, tester le système lumineux pour s'assurer du bon fonctionnement de la lumière.

Le non-respect de toutes les précautions et instructions de sécurité peut provoquer des dommages à la propriété, des blessures graves voire la mort.

Remplacement du projecteur

⚠ AVERTISSEMENT

DANGERS LIÉS À UN CHOC—Afin d'éviter les dangers de chocs électriques, ne pas brancher de fil tant que l'alimentation est activée.

Pour replacer le projecteur :

1. Débrancher l'alimentation de la lumière.
2. Retirer le dôme en saisissant la bague en fonte fixée au dôme et la faire tourner dans le sens inverse des aiguilles d'une montre.

REMARQUE : Si le dôme est difficile à retirer, placer la pointe d'un tournevis contre l'une des bosses de la bague en fonte fixées au dôme. Tapoter délicatement le manche du tournevis pour relâcher le dôme du boîtier.

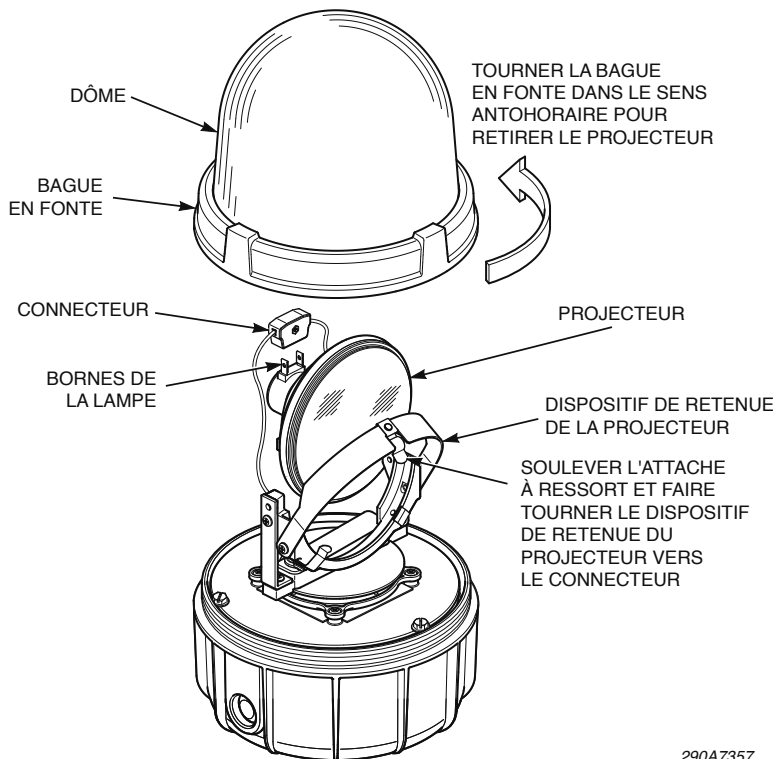
⚠ AVERTISSEMENT

PRÉSERVER L'ÉTANCHÉITÉ—Pour préserver l'étanchéité du boîtier, éviter d'endommager le dôme ou les filets lors du désassemblage et du réassemblage de l'appareil. Lorsque les joints filetés lubrifiés restent longtemps exposés, ils peuvent attirer de petites particules de poussière ou d'autres matières. Réassembler le joint immédiatement après avoir effectué l'entretien.

3. Soulever le connecteur du bornier du projecteur.
4. Soulever l'attache à ressort au sommet du projecteur et faire tourner le dispositif de retenue incurvé vers l'avant du projecteur. Soulever le projecteur.
5. Installer le projecteur de rechange en plaçant le rebord du projecteur dans la rainure de la douille de lampe en fonte. Tourner le projecteur afin que la broche pointe vers le haut.
6. Tourner le dispositif de retenue jusqu'à ce que l'attache à ressort se referme par-dessus le rebord du projecteur.

7. Remettre le connecteur en place sur le bornier du projecteur.
8. Remettre le dôme en place en le tournant dans le sens horaire jusqu'à ce qu'il soit bien installé sur le joint statique.
9. Faire un essai pour vérifier que la lampe fonctionne normalement.

Figure 4 Remplacement du projecteur



Entretien du modèle 371/371L

L'établissement d'une procédure de vérification régulière du modèle 371/371L prolonge la durée de vie de la lumière et assure la sécurité. Vérifier périodiquement le bon fonctionnement de la lumière. Rechercher d'éventuels fentes, fissures (lézardements), décoloration et autres défauts.

Instructions d'installation et de maintenance

- Lubrifier le palier d'arbre du projecteur tous les 12 mois ou toutes les 5 000 heures, selon ce qui arrive en premier, avec une huile mouvement légère.
- La vis sans fin et l'engrenage de la vis sans fin nécessitent rarement une lubrification. Toutefois, s'il est nécessaire de les lubrifier, utiliser une graisse légère de très bonne qualité.
- Le moteur est muni de roulements étanches et ne nécessite aucun entretien.
- Le joint de bague de dôme fileté doit être enduit de pétrole ou d'une huile minérale couverte de savon. Si des produits corrosifs se sont accumulés sur les joints et ne peuvent pas en être extraits facilement avec des dissolvants, ces pièces doivent être jetées et remplacées.

Nettoyage du dôme

REMARQUE : Il est parfois nécessaire de laver les appareils d'éclairage au jet d'eau pour bien les nettoyer. Le circuit électrique doit être éteint avant le lavage au jet de la lumière.

Nettoyer le dôme périodiquement pour conserver une production optimale de la lumière. Utiliser uniquement des agents nettoyants non-abrasifs et doux.

Service de réparation et assistance technique

Les produits renvoyés pour réparation doivent être accompagnés d'un formulaire d'autorisation de renvoi par le distributeur local ou par Federal Signal. Pour l'entretien du produit ou assistance technique par Federal Signal, communiquer avec nous au 708-534-4858 ou 877-289-3246. Pour les manuels d'instructions et d'informations sur les produits connexes, aller à <http://www.federal-signal-indust.com>.

Accessoires et pièces de rechange

Les pièces de rechange courantes sont énumérées au tableau 4. Pour commander des accessoires et pièces de rechange, communiquer avec Federal Signal au 708-534-4756 ou 877-289-3246.

Tableau 3 Accessoires

Description	Numéro de pièce
Support de montage mural	LWMB2
Support de montage en coin	LCMB2
Support de montage, Saillie	371BRCKT
Trousse, Support amortisseur	K8459A076
Trousse de concentrateur, 19,1 mm (3/4 po) NPT	K8459138
Prise de rapprochement, 2,5 cm (1 po)	K8459130

Tableau 4 Pièces de rechange

Description	Numéro de pièce
Dôme en plastique, Ambre (371L), Amber (371L)	K8459125
Dôme en plastique, Bleu (371L)	K8459125-01
Dôme en plastique, Incolore (371L)	K8459125-02
Dôme en plastique, Vert (371L)	K8459125-03
Dôme en plastique, Rouge (371L)	K8459125-04
Dôme en verre, Ambre (371)	K8459126
Dôme en verre, Bleu (371)	K8459126-01
Dôme en verre, Rouge (371)	K8459126-02
Joint statique, Bague de dôme	K8459123
Joint statique, Montage en saillie	K8459127
Projecteur, 100 W, (125 V/130 V) (100PAR46/3NSP)	K8107A130
Projecteur, 200 W, (125 V/130 V) (200PAR46/3NSP)	K8442A039
Trousse, Rechange de moteur	K8459A113
Brosse et Ressort	K8442A028

Renvoi du produit pour obtention d'un crédit

Les produits renvoyés doivent être accompagnés d'une autorisation de renvoi accordée par le distributeur local avant le renvoi du produit chez Federal Signal. Communiquer avec le distributeur pour obtenir de l'aide.

Un produit peut être renvoyé avec obtention d'un crédit si les conditions suivantes sont remplies :

- Le produit est revendable et est renvoyé dans son emballage d'origine
- Le produit n'a pas encore été installé
- Le produit est le modèle le plus récent
- Le produit n'a jamais été réparé
- Le produit est un produit standard
- Le produit n'est pas une pièce détachée

Tous les renvois de produits font l'objet de frais de restockage.

Les produits défectueux renvoyés au cours de la période de garantie seront réparés ou remplacés à la seule discrétion de Federal Signal. Les produits dont la lampe est défectueuse ne sont pas considérés comme des produits défectueux.

Toute demande autre que celle citée ci-dessus sera examinée au cas par cas.



Industrial Systems

2645 Federal Signal Drive • University Park, IL 60484-3167
Tel: 1-708-534-4756 • 1-877-289-3246 • Fax: 1-708-534-4852
www.federal-signal-indust.com • www.fs-isys.com

© 2013 Federal Signal Corporation. Tous droits réservés.



FEDERAL SIGNAL

Safety and Security Systems / Industrial

Advancing security and well-being.

Luz giratoria Commander® Modelos 371-120 y 371L-120



Manual de instalación y mantenimiento

256914G
REV. G 613
Impreso en los EE. UU.



Garantía – El vendedor garantiza todas las mercaderías, durante cinco años sobre las piezas y 2 1/2 años sobre la mano de obra, bajo las siguientes condiciones y excepciones: El Vendedor garantiza que todas las mercaderías fabricadas por el Vendedor se ajustan a las descripciones de las mismas para las especificaciones que se consideran expresamente parte integrante de este contrato de venta y en el momento de la venta por el vendedor dichas mercaderías se encontrarán comercialmente libres de defectos en materiales o mano de obra. El Vendedor se reserva el derecho de criterio del Vendedor de "Reparar y devolver" o "Reemplazar" cualquier elemento considerado defectuoso durante el período de garantía. Esta garantía no cubre los gastos de viaje, el costo de equipos especializados para acceder al producto o los cargos de mano de obra para el desmontaje y la reinstalación del producto. Esta garantía quedará sin efecto y no se aplicará a las mercaderías que han sido sometidas a maltrato, negligencia, accidente, daño, mantenimiento inadecuado, o para las mercaderías alteradas o reparadas por alguien que no sea el Vendedor o su representante autorizado, o si han transcurrido cinco años desde la fecha de envío de las mercaderías por el Vendedor con las siguientes excepciones: No están cubiertos por esta garantía las lámparas y los tubos de luz estroboscópica. Las sirenas de alerta de exteriores y los controladores fabricados por Federal Warning Systems están garantizados por dos años sobre las piezas y un año sobre la mano de obra. Ningún agente, empleado, representante o distribuidor del Vendedor tiene autoridad alguna para obligar al Vendedor a cualquier representación, afirmación o garantía alguna respecto de las mercaderías y ninguna representación, afirmación o garantía de ese tenor será considerada parte de los fundamentos del contrato de venta y no será ejecutable. LAS GARANTÍAS ANTERIORES SON EXCLUSIVAS Y EN LUGAR DE TODAS LAS OTRAS GARANTÍAS DE COMERCIALIZACIÓN, APTITUD PARA UN FIN Y DE CUALQUIER OTRO TIPO, YA SEAN EXPRESAS O IMPLÍCITAS. Estas garantías no se aplicarán menos que el Vendedor tenga la oportunidad razonable para investigar todas las reclamaciones de las mercaderías supuestamente defectuosas. Siguiendo instrucciones del Vendedor sólo una muestra de las mercaderías supuestamente defectuosas será devuelta al Vendedor para su inspección y aprobación. El fundamento de todas las reclamaciones por presuntos defectos en las mercaderías que no puedan descubrirse tras una inspección razonable de la misma de conformidad con el párrafo 8 de la presente garantía debe ser explicado completamente por escrito y recibido por el Vendedor dentro de los treinta días después de que el Comprador se entera de que el defecto o la reclamación serán considerados nulos.



Industrial Systems

2645 Federal Signal Drive • University Park, IL 60484-3167
Tel.: 1-708-534-4756 • 1-877-289-3246 • Fax: 1-708-534-4852
www.federal-signal-indust.com • www.fs-isys.com

Contenido

Mensajes de seguridad para los instaladores	45
Descripción de los Modelos 371-120 y 371L-120	46
Desembalaje de la luz	47
Montaje de la luz	48
Montaje de la luz en tubo	48
Montaje de la luz en superficie.....	48
Ajuste del haz de la luz	50
Cableado de la luz	51
Mensajes de seguridad para el personal de mantenimiento	53
Reemplazo de la lámpara	54
Mantenimiento del Modelo 371/371L	55
Limpieza de la cúpula	56
Servicio de reparación y asistencia técnica	56
Accesorios y repuestos	56
Devolución de un producto para obtener crédito	58

Tables

Tabla 1 Clasificaciones eléctricas y ambientales	47
Tabla 2 Dimensiones.....	48
Tabla 3 Accesorios	57
Tabla 4 Repuestos	57

Figuras

Figura 1 Opciones de montaje..... 49

Figura 2 Ajuste del haz de la luz..... 50

Figura 3 Conexión de conductores al bloque terminal 52

Figura 4 Reemplazo de la lámpara..... 55

Mensajes de seguridad para los instaladores

⚠️ ADVERTENCIA

Es importante seguir todas las instrucciones enviadas con este producto. Este dispositivo debe ser instalado por un electricista capacitado completamente familiarizado con el Código Eléctrico Nacional y/ o el Código Eléctrico de Canadá y que siga los lineamientos NEC y/o CEC y todos los códigos locales. Esta luz debe considerarse parte del sistema de advertencia y no como el sistema de advertencia completo. La selección de la ubicación de montaje de la luz, sus controles y la colocación del cableado debe realizarse bajo la dirección del ingeniero de la planta y del ingeniero de seguridad. Asimismo, a continuación se incluyen algunas instrucciones y precauciones importantes de seguridad que debe seguir:

- Lea y comprenda todas las instrucciones antes de instalar y poner en funcionamiento esta luz.
- No conecte esta luz al sistema cuando esté encendido.
- Después de la instalación, asegúrese de que todos los tornillos de fijación y las uniones roscadas estén debidamente ajustadas.
- Después de la instalación, pruebe la luz para asegurarse de que funcione correctamente.
- Una vez que haya finalizado la prueba, entregue una copia de este cuadernillo de instrucciones a todo el personal.
- Establezca un procedimiento para verificar periódicamente la luz a fin de comprobar la activación y el funcionamiento operados.

Si estas precauciones e instrucciones de seguridad no se observan, pueden ocasionarse daños a los bienes, lesiones graves o incluso la muerte.

Descripción de los Modelos 371-120 y 371L-120

Las luces de advertencia de Federal Signal de los Modelos 371-120 y 371L-120 tienen una potente lámpara de haz definido que gira 360 grados dentro de una cúpula de vidrio o policarbonato. La energía se suministra a la lámpara giratoria Commander® por medio de un exclusivo anillo colector. La lámpara está montada sobre un balancín oscilante. Esto permite que el ángulo del haz se ajuste 90 grados de horizontal a vertical. Cambiar el ángulo del haz le permite crear exclusivos patrones de luz y dirigir la luz para una mejor visibilidad.

El Modelo 371 posee una lámpara de haz definido de 200 watts y una cúpula de vidrio resistente a altas temperaturas. La cúpula de vidrio del modelo 371 es ideal para aplicaciones tales como acerías u hornos de arco/hornos de fundición donde las elevadas temperaturas del ambiente o los materiales al rojo vivo derretirían o dañarían la cúpula. El Modelo 371 está disponible en tres colores: ámbar, azul y rojo.

El Modelo 371 posee una lámpara de haz definido de 100 watts y una cúpula de policarbonato resistente a los golpes. La cúpula más fina de policarbonato permite que pase más luz al tiempo que protege la lámpara. El Modelo 371L está disponible en cinco colores: ámbar, azul, transparente, verde y rojo. La unidad de la cúpula y el anillo se atornilla, ofreciendo acceso al interior de la luz.

La base cuenta con pintura negra en polvo texturizada para una mayor resistencia a la corrosión. El cableado se puede conducir por la abertura para el montaje de tubos en la parte inferior de la luz, mientras que la entrada lateral del cableado puede realizarse por los dos orificios laterales precortados. La instalación se puede montar en la superficie o en tubos NPT de 1 pulgada.

Se pueden utilizar soportes opcionales de montaje en pared o esquinas. El soporte para montaje en pared LWMB2 y el soporte para montaje en esquina LCMB2 se pueden usar para montar el Modelo 371/371L. Para el montaje de superficie en sustratos

sólidos, puede obtener el soporte para montaje en superficie de tres puntos Modelo 371BRCKT que se adquiere por separado.

Los modelos 371-120 y 371L-120 son Tipo 4X, cuentan con la clasificación IP66, están homologados por UL y cUL y cuentan con la Certificación CSA.

Desembalaje de la luz

Después de desembalar la luz, examínela para detectar daños que puedan haber ocurrido durante el tránsito. Si la luz se ha dañado, no intente instalarla ni ponerla en funcionamiento. Presente un reclamo de inmediato al transportista, indicando el alcance de los daños. Con cuidado inspeccione todos los sobres, etiquetas de envío y rótulos antes de retirarlos o desecharlos. El desecho de todos los materiales de envío debe realizarse de acuerdo con los códigos y normas nacionales y locales. Si falta alguna pieza, contacte al Servicio de Asistencia al Cliente de Federal Signal al 708-534-4756 o 877-289-3246.

Tabla 1 Clasificaciones eléctricas y ambientales

Voltaje de funcionamiento:	120 VCA, 50 Hz/60 Hz
Tasa de parpadeo:	60 FPM (parpadeos por minuto)
Intensidad luminosa: 371 371L	36 000 20 000
Vida útil de la lámpara:	2 000 horas
Fuente de iluminación: 371 371L	Haz definido de 200 W Haz definido de 100 W
Temperatura de funcionamiento:	-31 °F a 150 °F (-35 °C a 66 °C)
Clasificaciones ambientales:	Type 4X, IP66

Tabla 2 Dimensiones

Altura:	11,38 in (288,9 mm)
Diámetro:	9,12 in (231,6 mm)
Peso neto: 371 371L	13,25 lb (6,0 kg) 9,8 lb (4,4 kg)
Peso de envío: 371 371L	14,3 lb (6,5 kg) 10,8 (4,9)

Montaje de la luz

La luz Modelo 371/371L está diseñada para montarse en una superficie horizontal plana o en un tubo NPT de 1". Para montaje en superficie en sustratos sólidos, puede usar el soporte de montaje en superficie Modelo 371BRCKT que se adquiere por separado. Si se usarán entradas laterales de conductos, desmonte la luz según la descripción en "Cableado de la luz" en la página 51 y retire uno o más orificios precortados con una herramienta sin filo antes de montar la luz. Use una lima para remover el exceso de rebabas alrededor del orificio precortado.

Montaje de la luz en tubo

Sujete la luz al tubo NPT de 1 pulgada enroscando la luz en sentido horario en el tubo (Figura 1). Para obtener información sobre las conexiones eléctricas, vea "Cableado de la luz" en la página 51.

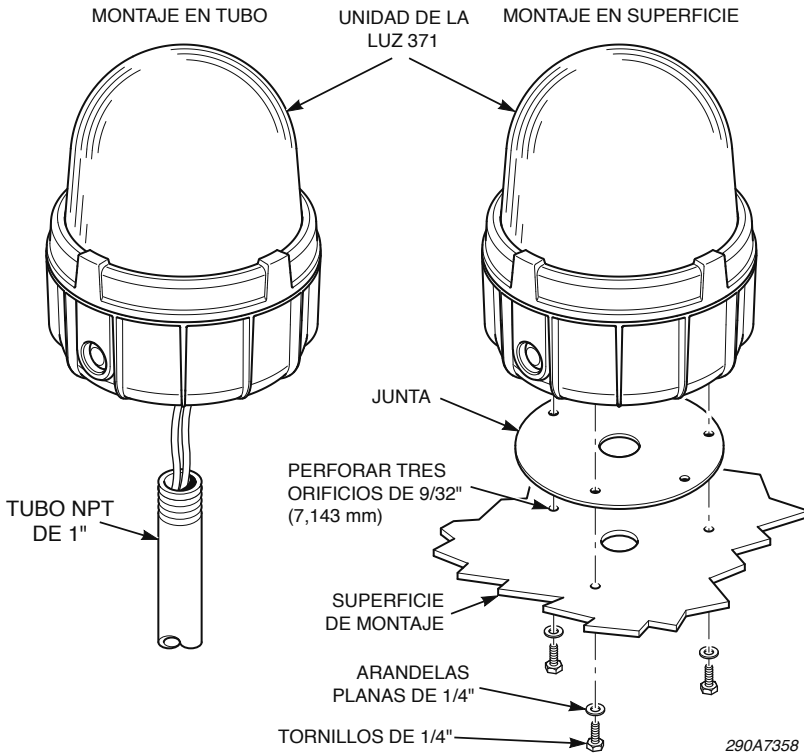
Montaje de la luz en superficie

Para montar la luz en una superficie plana:

1. Usando la junta como plantilla, trace cuatro marcas de posición de perforación en la superficie de montaje (Figura 1).
2. Perfore un orificio de 9/32" (7,1 mm) de diámetro a cada lado de las marcas externas de posición de perforación para el montaje.

3. Taladre o perfore un orificio de 1-3/8" (34,9 mm) de diámetro en la marca central de posición de perforación para la entrada de cables.
4. Sujete un centro o conector NPT adecuado de 1" a la entrada del conducto en la parte inferior de la luz. Para aplicaciones de tipo 4X/IP66, el centro o conector debe tener una clasificación adecuada (se recomiendan centros Myers® STTTB-2 o T&B® H100-TB).
5. Coloque la luz en la junta y sujétela a la superficie de montaje con los tornillos y arandelas provistas de 1/4".
6. Para obtener información acerca de las conexiones eléctricas, vea la sección siguiente.

Figura 1 Opciones de montaje



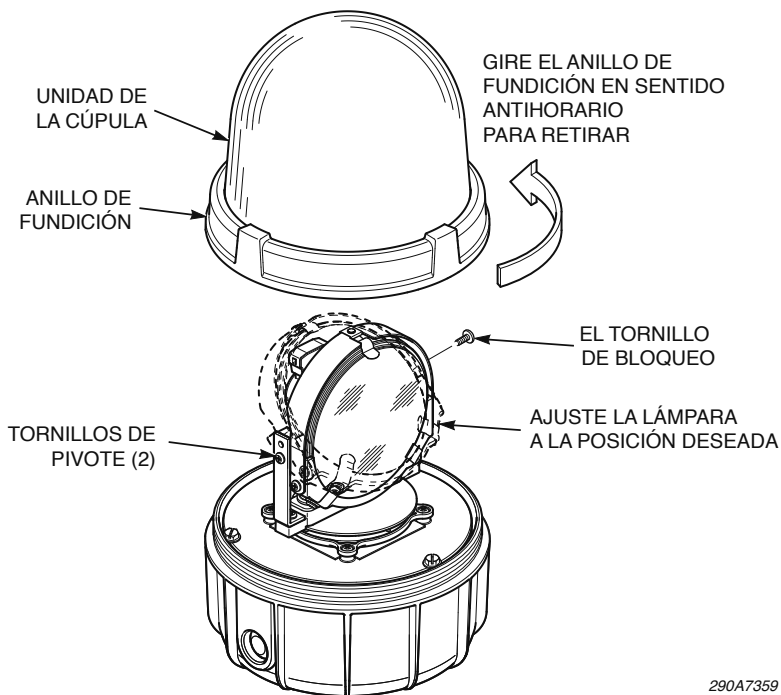
Ajuste del haz de la luz

La luz se envía de fábrica con la lámpara en posición horizontal.

Para cambiar el ángulo de la lámpara:

1. Vea la Figura 2. Retire la unidad de la cúpula sujetando el anillo de fundición sujeto a la cúpula y girándolo en sentido antihorario.

Figura 2 Ajuste del haz de la luz



2. Retire el tornillo de bloqueo.
3. Afloje los dos tornillos de pivote y ajuste la lámpara a la posición deseada.
4. Ajuste los dos tornillos de pivote para sujetar la lámpara en su posición.
5. Vuelva a colocar la unidad de la cúpula.

Cableado de la luz

⚠ ADVERTENCIA

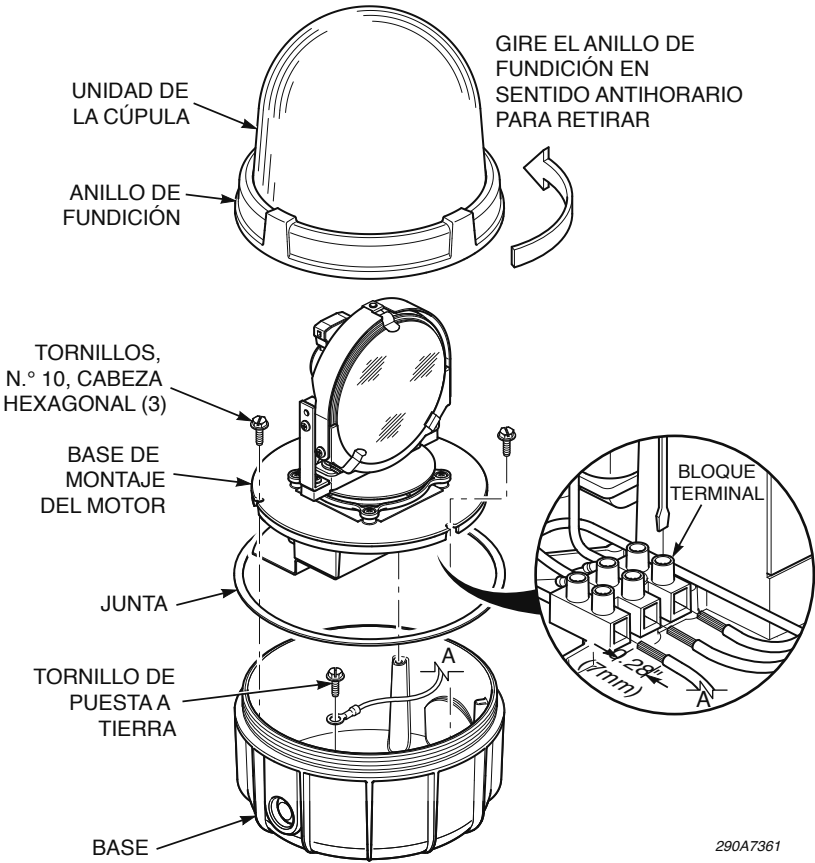
RIESGO DE DESCARGA ELÉCTRICA—*Para evitar riesgos de descarga eléctrica, no conecte los cables mientras se recibe corriente.*

El Modelo 371/371L viene ensamblado de fábrica con conductores con código de dos colores para el cableado a una caja de conexiones. Si se desea, los conductores de fábrica se pueden retirar y las conexiones de alimentación se pueden hacer directamente en el bloque terminal ubicado en la parte posterior de la base de montaje del motor como se describe a continuación.

Para conectar la luz:

1. Desensamble la luz (Figura 3 en la página 52):
 - a) Retire la unidad de la cúpula sujetando el anillo de fundición sujeto a la cúpula y girándolo en sentido antihorario.
 - b) Retire los tres tornillos hexagonales N.º 10 que sujetan la base de montaje del motor a la carcasa.
 - c) Retire la base de montaje del motor.
 - d) Si lo desea, retire los conductores provistos de fábrica del bloque terminal.
2. Si usa entradas laterales de conductos, sujete un centro de conductos NPT de 3/4 de pulgada Myers® STTTB-2 o T&B® H075TBH con una boquilla roscada de cierre NPT de 3/4 pulgada (provistos por el usuario) a la carcasa y ajuste el centro firmemente. Cuando se usan entradas laterales, la entrada inferior de conductos NPT de 1 pulgada debe taparse con un tapón roscado (provisto por el usuario). (Vea la Tabla 4 “Accesorios” en la página 57).
3. Coloque los cables de suministro (10 AWG a 16 AWG) en la carcasa de la luz, teniendo cuidado de mantener los cables alejados del ventilador del motor.

Figura 3 Conexión de conductores al bloque terminal



4. Pele un máximo de 0,28 pulgadas (7 mm) de aislamiento de los extremos de los conductores de energía. Conecte los cables al bloque terminal insertando los extremos pelados de los cables en los conectores en su máxima extensión.
5. Ajuste el tornillo de sujeción. El par de apriete máximo es de 7,0 in-lb (0,8 N•m).

IMPORTANTE: La conexión apropiada a tierra de la luz requiere dos conexiones a una tierra sólida.

6. Vea la Figura 3. Conecte la tierra física al bloque terminal y el tornillo verde de puesta a tierra que se ubica en la carcasa de la luz.
7. Vuelva a ensamblar la luz y pruébela para comprobar su funcionamiento correcto.

Mensajes de seguridad para el personal de mantenimiento

▲ ADVERTENCIA

A continuación se incluyen algunas instrucciones y precauciones importantes de seguridad que debe seguir:

- Lea y comprenda todas las instrucciones antes de poner en funcionamiento este sistema.
- Cualquier mantenimiento al sistema de la luz debe realizarse con la unidad apagada.
- Todo mantenimiento al sistema de la luz debe ser realizado por un electricista capacitado de acuerdo con los Lineamientos NEC/CEC y los códigos locales.
- No altere nunca la unidad de ninguna forma. La seguridad puede correr riesgo si se realizan aberturas adicionales u otras alteraciones a las unidades.
- La placa de identificación, que contiene información de precaución u otra información de importancia para el personal de mantenimiento, no debe quedar oculta.
- Si la cúpula se daña de alguna manera, DEBE reemplazarse la unidad completa de la cúpula.
- Después de realizar tareas de mantenimiento, pruebe el sistema de la luz para asegurarse de que funcione correctamente.

Si estas precauciones e instrucciones de seguridad no se observan, pueden ocasionarse daños a los bienes, lesiones graves o incluso la muerte.

Reemplazo de la lámpara

⚠ ADVERTENCIA

RIESGO DE DESCARGA ELÉCTRICA—*Para evitar riesgos de descarga eléctrica, no conecte los cables mientras se recibe corriente.*

Para reemplazar la lámpara:

1. Desconecte la energía de la luz.
2. Retire la unidad de la cúpula sujetando el anillo de fundición sujeto a la cúpula y girándolo en sentido antihorario.

NOTA: Si la unidad de la cúpula es difícil de retirar, coloque la punta de un destornillador contra una de los cuatro guías en el anillo de fundición sujeto a la cúpula. Golpee suavemente la manija del destornillador para aflojar la unidad de la carcasa.

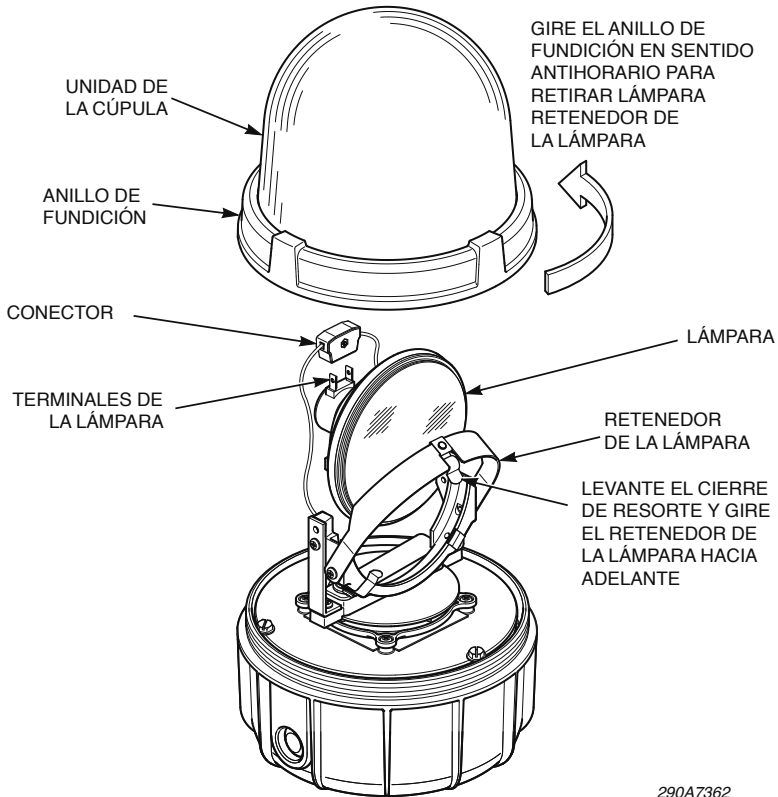
⚠ ADVERTENCIA

MANTENGA LA IMPERMEABILIDAD—*Para mantener la unidad impermeable, no dañe la cúpula ni las roscas mientras desensambla o vuelve a ensamblar la unidad. Las uniones roscadas lubricadas expuestas por períodos prolongados de tiempo pueden atraer pequeñas partículas de polvo u otros materiales extraños. Vuelva a ensamblar la unión inmediatamente después de realizar el mantenimiento.*

3. Levante el conector desde los terminales de la lámpara.
4. Levante el cierre de resorte en la parte superior de la lámpara y gire el retenedor curvo de la lámpara hacia la parte delantera de la lámpara. Levante la lámpara.
5. Instale la lámpara de repuesto colocando el extremo de la lámpara en la ranura del soporte de fundición para lámparas. Gire la lámpara para que sus puntas queden rectas hacia arriba.
6. Gire el retenedor de la lámpara hacia arriba hasta que el cierre de resorte se trabe sobre el borde de la lámpara.
7. Coloque el conector en los terminales de la lámpara.

8. Coloque la unidad de la cúpula girándola en sentido horario hasta que se asiente firmemente contra la junta.
9. Pruebe el correcto funcionamiento de la luz.

Figura 4 Reemplazo de la lámpara



Mantenimiento del Modelo 371/371L

El establecimiento de un programa periódico de mantenimiento para el Modelo 371/371L extiende la vida de la luz y garantiza la seguridad. Compruebe periódicamente que la luz funciona correctamente. Asimismo, inspeccione las cúpulas para detectar rajaduras, opacidad (rajaduras capilares), decoloración y otros defectos.

Instrucciones de instalación y mantenimiento

- Lubrique los rodamientos del eje de la lámpara con aceite ligero para máquinas cada 12 meses o 5 000 horas de servicio, lo que ocurra primero.
- El tornillo sinfín y la rueda de tornillo sinfín raramente requieren lubricación. Sin embargo, si se requiere lubricación, use grasa ligera de alta calidad.
- El motor está equipado con rodamientos sellados y no requiere mantenimiento.
- La junta roscada del anillo de la cúpula debe estar bien lubricada con petróleo o aceite mineral espesado con jabón. Si se acumularon productos corrosivos en las uniones y no se pueden retirar con solventes, las piezas deben desecharse y reemplazarse.

Limpieza de la cúpula

NOTA: Los procedimientos de mantenimiento en ocasiones requieren que se limpien los accesorios con una manguera para un buen mantenimiento. El circuito eléctrico debe apagarse antes de limpiar la luz con una manguera.

Limpie la cúpula periódicamente para mantener una salida máxima de la luz. Use solo agentes de limpieza suaves, no abrasivos.

Servicio de reparación y asistencia técnica

Los productos devueltos para su reparación requieren un Formulario de autorización de devolución de su distribuidor o de Federal Signal. Para obtener el servicio de reparación o asistencia técnica de Federal Signal, llame al 708-534-4756 o 877-289-3246. Para obtener manuales de instrucciones e información sobre los productos relacionados, visite <http://www.federsignal-indust.com>.

Accesorios y repuestos

Los accesorios y repuestos típicos se encuentran enumerados en las Tablas 3 y 4. Para pedir accesorios y repuestos, llame a Federal Signal al 708-534-4756 o 877-289-3246.

Tabla 3 Accesorios

Descripción	Número de pieza
Soporte para montaje en pared	LWMB2
Soporte para montaje en esquina	LCMB2
Soporte de montaje, superficie	371BRCKT
Kit, montaje contra impactos	K8459A076
Kit del centro para conductos, 3/4" NPT	K8459138
Tapón de cierre, 1" NPT	K8459130

Tabla 4 Repuestos

Descripción	Número de pieza
Unidad de la cúpula de plástico, ámbar (371L)	K8459125
Unidad de la cúpula de plástico, azul (371L)	K8459125-01
Unidad de la cúpula de plástico, transparente (371L)	K8459125-02
Unidad de la cúpula de plástico, verde (371L)	K8459125-03
Unidad de la cúpula de plástico, rojo (371L)	K8459125-04
Unidad de la cúpula de vidrio, ámbar (371)	K8459126
Unidad de la cúpula de vidrio, azul (371)	K8459126-01
Unidad de la cúpula de vidrio, rojo (371)	K8459126-02
Junta, anillo de la cúpula	K8459123
Junta, montaje en superficie	K8459127
Lámpara, 100 W, (125 V/130 V) (100PAR46/3NSP)	K8107A130
Lámpara, 200 W, (125 V/130 V) (200PAR46/3NSP)	K8442A039
Kit, reemplazo del motor	K8459A113
Escobilla y resorte	K8442A028

Devolución de un producto para obtener crédito

Las devoluciones de productos para obtener crédito requieren una autorización de devolución de su distribuidor local antes de devolver el producto a Federal Signal. Contacte a su distribuidor para obtener asistencia.

Un producto está calificado para su devolución a fin de obtener crédito cuando se cumplen las condiciones siguientes:

- El producto puede volver a venderse y se encuentra en su envase original
- El producto no ha sido instalado previamente
- El producto es la revisión actual
- El producto no ha sido reparado previamente
- El producto es un producto estándar
- El producto no es una pieza de servicio

Todas las devoluciones están sujetas a un arancel de reposición de inventario.

Los productos defectuosos devueltos dentro del período de garantía serán reparados o reemplazados a exclusivo criterio de Federal Signal. Los productos defectuosos no incluyen los productos con fallas de la lámpara.

Otras circunstancias no incluidas anteriormente se tratarán según cada caso en particular.



FEDERAL SIGNAL

Safety and Security Systems / Industrial

Industrial Systems

2645 Federal Signal Drive • University Park, IL 60484-3167

Tel.: 1-708-534-4756 • 1-877-289-3246 • Fax: 1-708-534-4852

Email: elp@federalsignal.com • www.federalsignal-indust.com

© 2013 Federal Signal Corporation. Reservados todos los derechos.