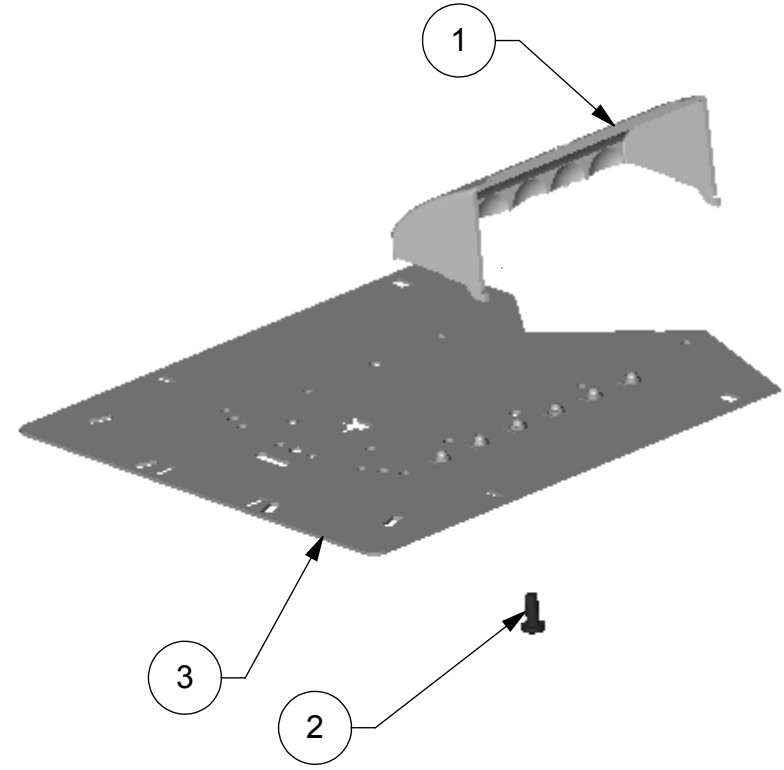
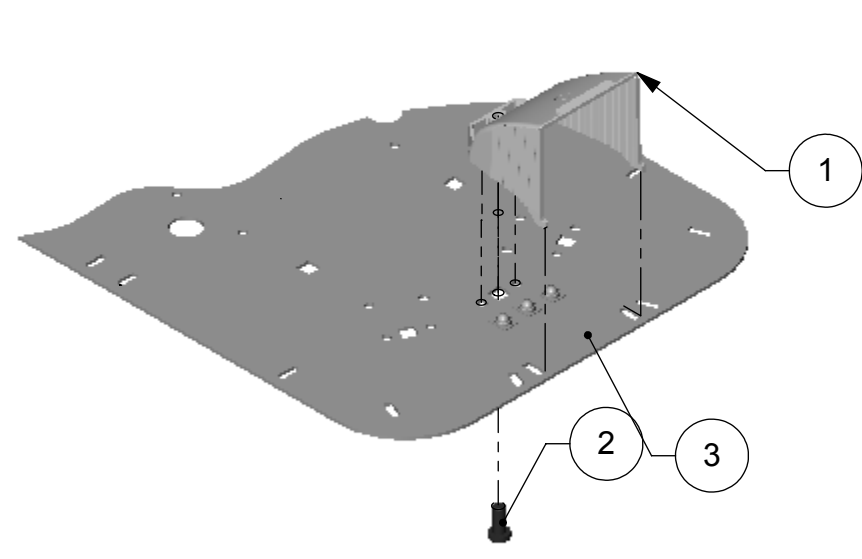


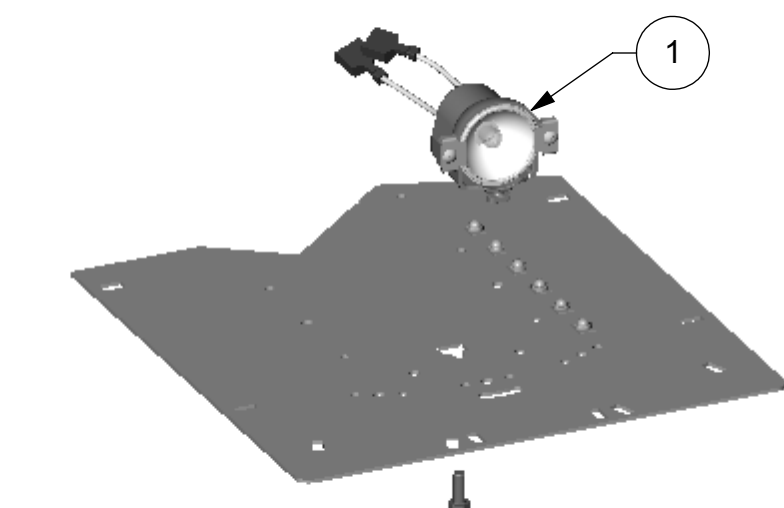
JLX6LG ASSEMBLY			
ITEM NO.	PART NO.	DESCRIPTION	QTY.
1	8653105	REFLECTOR, 5" CREE	1
2	7011234-08	SCR., PLASTITE	1
3	SEE TABLE	SMT LED OPTION PCBA COMPONENTS	1



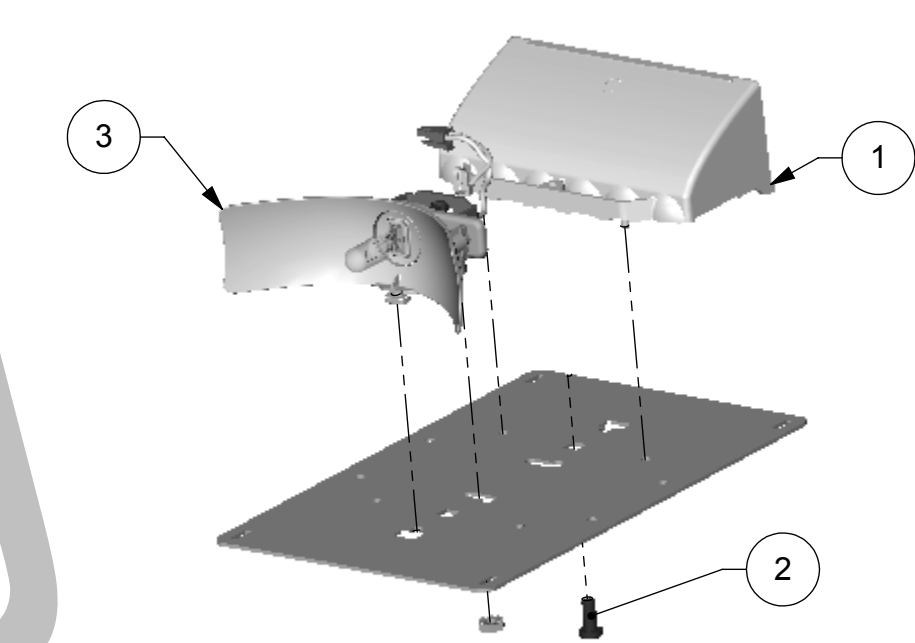
JLX3 ASSEMBLY			
ITEM NO.	PART NO.	DESCRIPTION	QTY.
1	8653106	REFLECTOR, 2" CREE	1
2	7011234-08	SCR., PLASTITE	1
3	SEE TABLE	SMT LED OPTION PCBA COMPONENTS	1



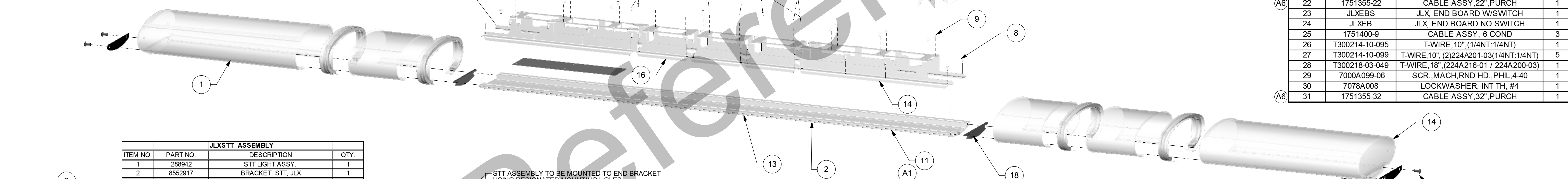
JLXLEDAL ASSEMBLY			
ITEM NO.	PART NO.	DESCRIPTION	QTY.
1	8552906	ALLEY LIGHT ASSY.	1



JLXLEDTKDN ASSEMBLY			
ITEM NO.	PART NO.	DESCRIPTION	QTY.
1	8653105	REFLECTOR, 5" CREE	1
2	7011234-08	SCR., PLASTITE	1
3	8653111	TAKEDOWN ASSEMBLY	1

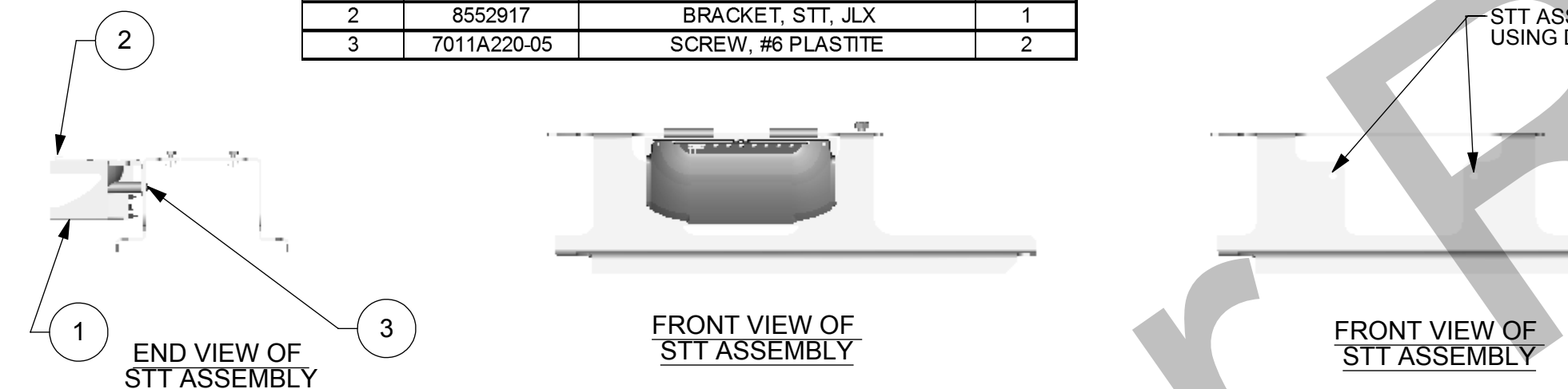


CABLE HARNESS WIRE / PCB CONNECTIONS	
WIRE COLOR	BOARD POS.
RED	H11 - "+12V" (F WHT LT C/O, THEN USE H12)
BLACK	H13 - GRND TO EXTR.
GRAY	TAKEDOWN / TCL / WKLIGHT
GREEN	H11 - FRONT LIGHT CUT-OFF / H12 - REAR LIGHT CUT-OFF OR WKLIGHT
BLUE	H5 - MODE 2
ORANGE	H8 - PROGRAM
YELLOW	H9 - WHITE LIGHT CUT-OFF
BROWN	DRIVER SIDE BRAKE/TURN OR ALLEY
BROWN/WHITE	PASS. SIDE BRAKE/TURN OR ALLEY
BLACK/WHITE	DIM OR TAIL LIGHTS
CABLE HARNESS WIRE / PCB CONNECTIONS FOR SIGNALMASTER USE	
GREEN	H4 - SGNL MSTR CTR
GRAY	H1 - SGNL MSTR LEFT
RED/WHITE	H2 - SGNL MSTR RIGHT



ITEM NO.	PART NO.	DESCRIPTION	QTY.
1	1612358	LABEL, WARNING, EYE DAMAGE	2
2	161A463	LABEL, WARNING	1
3	***	***	***
4	20000040	PCBA, CONTROLLER	1
5	7000A460-10	SCR., MACH. TRSS. HD. SLT S.S.	4
6	7006067A-05	SCR, SEMS, PAN, PHIL, 6-32	6
7	7011A103-06	SCR., #8-32 HEX WASH. HD.	32
8	7011A122-06	SCR., #10 TYP. B HEX HD.	32
9	7065074	NUT, GROMMET, #8 SCR	16
10	81462168	NAMEPLATE, JET SOLARIS	2
11	8470A106	BUSHING, SNAP	1
12	8542A028-02	CLAMP, CABLE (NOT SHOWN)	1
13	8552582-01	EXTR., JETSTROBE	1
14	8552899	PCBA END BRKT, JET JLX	1
15	8552913	PCBA END BRKT ASSY, JET JLX	1
16	8552900	PCBA CENTER BRKT, JET JLX	3
17	8552A285-02	EXTR., PLASTIC, 60" (NOT SHOWN)	1
18	8552B047	GASKET, DOME	2
19	JLXM1	JLX, MIDDLE LED BOARD, #1	1
20	JLXM2	JLX, MIDDLE LED BOARD, #2	1
21	JLXM3	JLX, MIDDLE LED BOARD, #3	1
22	1751355-22	CABLE ASSY, 22", PURCH	1
23	JLXEB3	JLX, END BOARD W/SWITCH	1
24	JLXEB	JLX, END BOARD NO SWITCH	1
25	1751400-9	CABLE ASSY, 6 COND	3
26	T300214-10-095	T-WIRE, 10" (1/4NT:1/4NT)	1
27	T300214-10-099	T-WIRE, 10", (2)224A201-03(1/4NT:1/4NT)	5
28	T300218-03-049	T-WIRE, 18", (2)24A216-01 / 224A200-03)	1
29	7000A099-06	SCR., MACH. RND HD., PHIL, 4-40	1
30	7078A008	LOCKWASHER, INT TH, #4	1
31	1751355-32	CABLE ASSY, 32", PURCH	1

JLXSTT ASSEMBLY			
ITEM NO.	PART NO.	DESCRIPTION	QTY.
1	268942	STT LIGHT ASSY.	1
2	8552917	BRACKET, STT, JLX	1
3	7011A220-05	SCREW, #6 PLASTITE	2



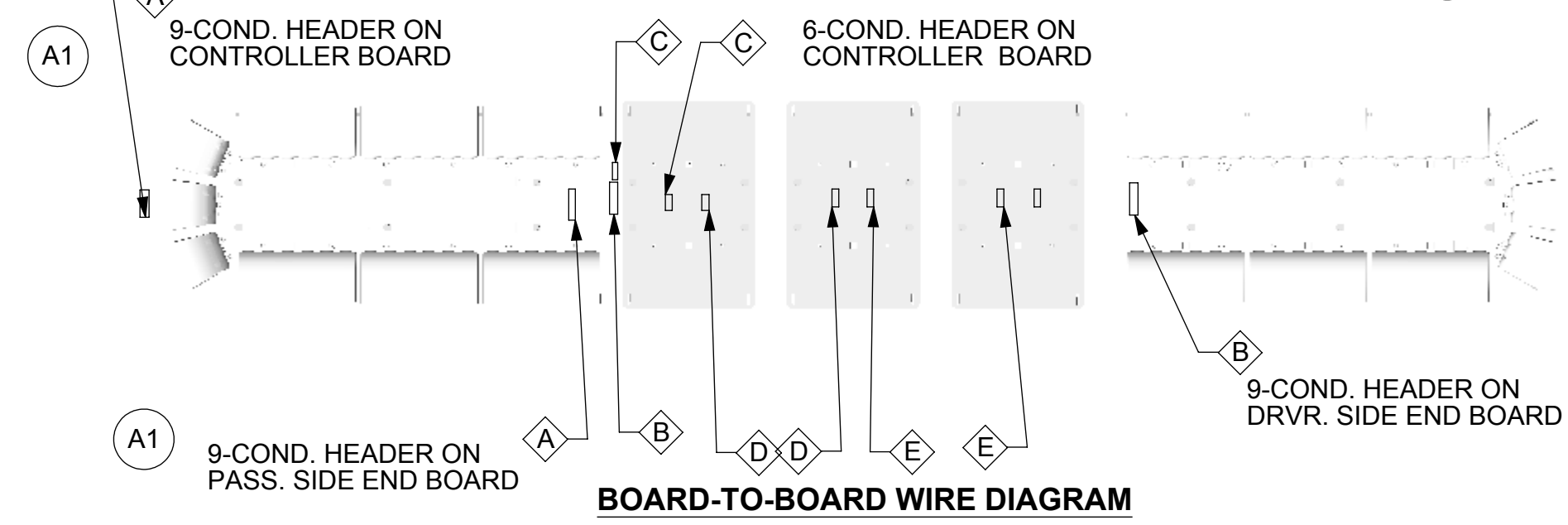
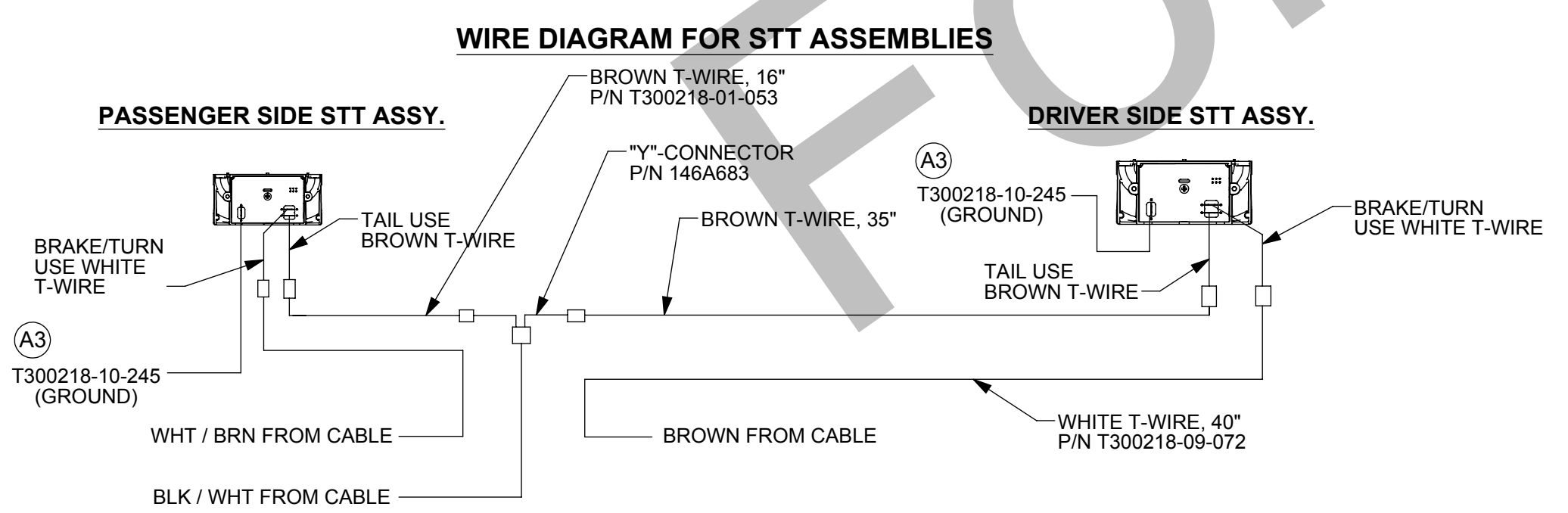
FOR PASS. SIDE END BOARD : CONNECT CABLE HARNESS 1751355-22 AT CONNECTOR (A) TO CONNECTOR (A) CONTROLLER BOARD TO PASSENGER SIDE END BOARD.

-CONNECT CABLE HARNESS 1751355-32 AT CONNECTOR (B) ON CONTROLLER BOARD TO CONNECTOR (B) ON DRIVER SIDE END BOARD.

-CONNECT CABLE HARNESS 1751400-9 AT CONNECTOR (C) ON CONTROLLER BOARD TO CONNECTOR (C) PASSENGER SIDE CENTER BOARD.

FOR PASS. SIDE CTR BOARD : CONNECT CABLE HARNESS 1751400-9 AT CONNECTOR (D) ON PASSENGER SIDE CENTER BOARD TO CONNECTOR (D) ON CENTER BOARD.

FOR CTR BOARD : CONNECT CABLE HARNESS 1751400-9 AT CONNECTOR (E) ON CENTER BOARD TO CONNECTOR (E) DRIVER SIDE CENTER BOARD



- WIRING NOTES:**
1. "11-COND" CABLE ASSY. TO ENTER DRIVER SIDE ON EXTRUSION AND PULLED TO PASSENGER SIDE NEAR CONTROLLER BOARD AREA (ABOUT 34" LGTH) AND CLAMPED DOWN.
  2. CONNECT TERMINAL SOCKET END OF ORANGE T-WIRE (ITEM 28) TO H15 ON CONTROLLER BOARD & RING TERMINAL END TO J7 GROUND LUG WITH #4 SCREW (ITEM 29) AND LOCKWASHER (ITEM 30) DRIVER SIDE END BOARD.
  3. TO CHANGE LIGHT PATTERN : PRESS ON HOLD "PROGRAM" BUTTON ON LED SIDE OF DRIVER SIDE END BOARD UNTIL LIGHTS FLASH.
  4. GROUND CONTROLLER PCBA TO EXTRUSION WITH BLACK T-WIRE (ITEM 26).
  5. GROUND EACH END PCBOARD AND CENTER PCBOARD TO EXTRUSION WITH BLACK T-WIRE (ITEM 27).
  6. TO ENABLE WHITE LIGHT CUTOFF PUT "+12V" TO YELLOW WIRE AND SLIDE UP DIP SWITCHES ON CONTROLLER BOARD ON POSITIONS CHOSEN TO BE CUTOFF (BOARD POSITIONS THAT CAN BE CUTOFF ARE: A,B,C,G,H,I,A1,A2,A3)
  7. UNLESS BTT OPTION IS BEING USED, CONNECT BLACK/WHITE WIRE TO TAB H10 ON THE CONTROLLER BOARD. APPLYING +12VDC TO THE BLACK/WHITE WIRE, WHILE THE LIGHTBAR IS OPERATING IN MODE 2 (BLUE WIRE), WILL CAUSE THE BAR TO FLASH AT A LOWER LIGHT INTENSITY.
  8. DRESS CONTROLLER CABLE AND BIG BOARD WIRE HARNESSSES AT THE TOP OF EACH END BRACKET WITH TIE WRAPS AND ONE OF THE EXISTING HOLES AT THE TOP OF EACH BRACKET.
  9. TORQUE DOME SCREWS (ITEM 5) TO 13 IN-LB ±10% (4 PLACES).

REV	CHANGE	DATE	BY	FINISH:	SCALE AT D SIZE:
A7	SEE ECR #1720	4/22/14	RM	N/A	NONE
A6	SEE ECR #694	8/11/13	RM		
A5	SEE ECR #173	12/12/12	JML		
A4	SEE ECR #12-8971	10/30/12	JML		
A3	SEE ECR #10-6573	6/23/10	MAF		
A2	SEE ECR #09-5358	11/24/09	AS		
A1	SEE ECO #08-3841	10/16/08	AJM		
A	REL. TO PROD. ECO #07-2106	3/16/07	AJM		

Tolerances Unless Otherwise Specified  
 Angles ±0.5°  
 X.XX ±0.015  
 X.XXX ±0.005

**SIGNAL DIVISION**  
 Federal Signal Corporation  
 2645 FEDERAL SIGNAL DRIVE - UNIVERSITY PARK, IL 60466

MATERIAL DESCRIBED AND INFORMATION CONVEYED IS PROPRIETARY TO FEDERAL SIGNAL CORPORATION, IS OR MAY BE THE SUBJECT OF PATENT APPLICATIONS, AND MAY NOT BE COPIED, DIVULGED TO OTHERS, OR USED FOR MANUFACTURING WITHOUT CONSENT.

REMOVE BURRS, SHARP CORNERS AND EDGES

UNIT OF MEASURE: RF  
 DRAWN BY: AJM  
 DATE: 11/1/06  
 CHD. BY: SSU  
 DATE: 3/16/07

MECH. ASSY., JLX60LLL SERIES  
 8552911A