



► Model AM15

# AudioMaster® Public Address 15 Watt Speaker

Model AM15 is a rugged, re-entrant speaker for use in public address or paging applications. This 15 watt speaker features a rugged speaker cone and projector constructed of spun aluminum. The speaker wiring connections are enclosed in a dust- and moisture-proof, die-cast aluminum compartment. All external surfaces are sealed with gray powder coat paint.

Two screws inserted through the back of the wiring compartment provide for simple wall mount installation. The bottom of the AM15 contains two 1/2-inch conduit openings to accommodate inbound and outbound audio wiring. The unique shape of the AM15 projector provides a 60° sound dispersion. The projector is held in position with a Teflon coated lock ring that can be rotated 180° in order to obtain the desired sound distribution.

Model AM15 is rated for indoor and outdoor use.

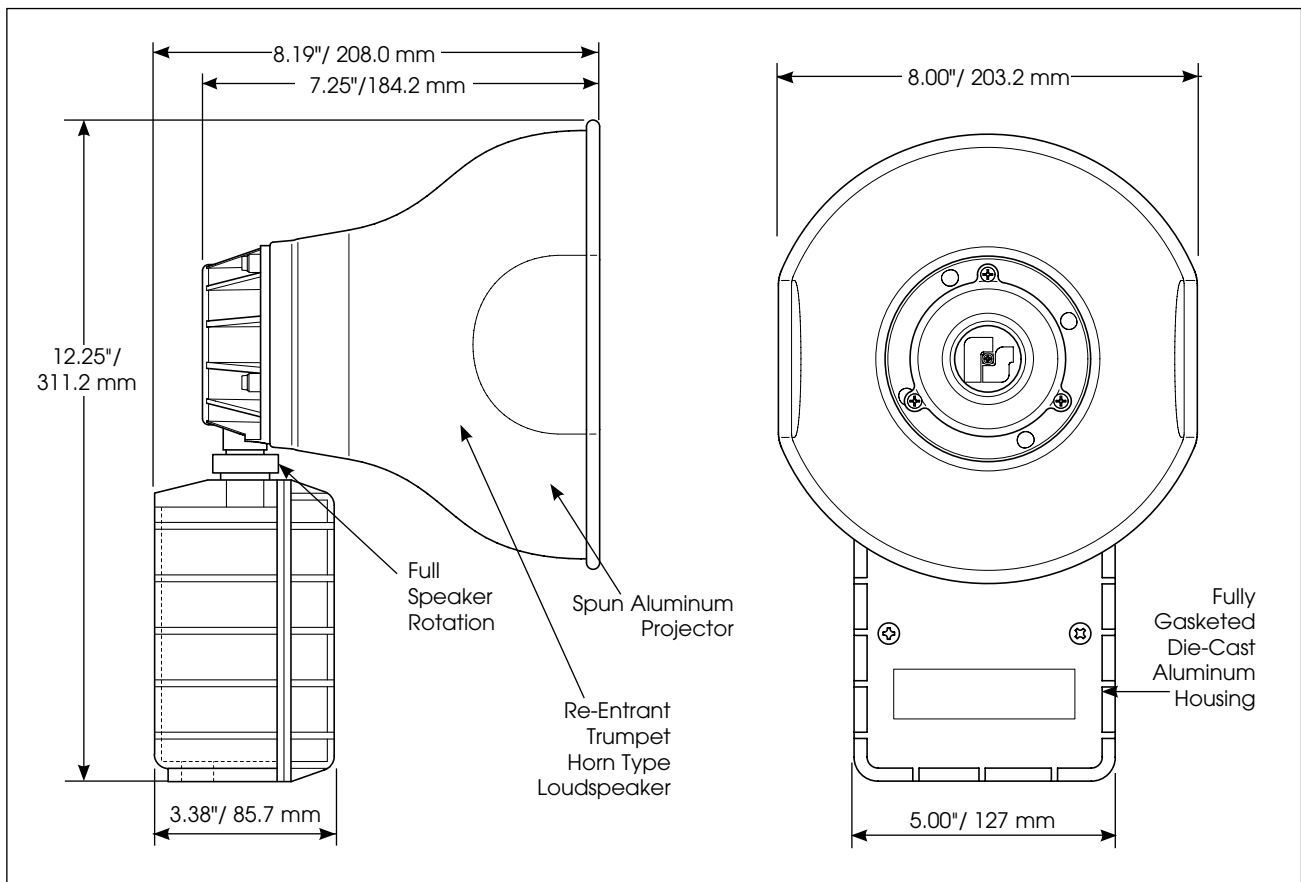
Model AM15 can be used with the AudioMaster® CTS series amplifiers and the AudioRouter™ to complete an industrial grade public address system.

## FEATURES

- 8 Ohm
- 15 watt
- Several mounting options
- Re-entrant horn design
- Pre-assembled
- UL and cUL Listed

MODEL	POWER HANDLING	FREQUENCY RESPONSE	IMPEDENCE	BEAM WIDTH	DECIBELS	
					10'	1M
<b>AM15</b>	15 watt	400-4000Hz	8 Ohm	60°	110	120

# AudioMaster® Public Address 15 Watt Speaker (AM15)



## SPECIFICATIONS

Operating Temperature:	-40°F to 151°F	-40°C to 66°C
Net Weight:	4.85 lbs.	2.2 kg
Shipping Weight:	6.0 lbs.	2.72 kg
Height:	12.25"	311.2 mm
Width:	8.00"	203.2 mm
Depth:	8.19"	208.0 mm

## HOW TO ORDER

**Specify Model:**  
**AM15** – Speaker, 15 watt, 8 Ohm