



► Models AM300 and AM302

# AudioMaster® Public Address Speakers

Models AM300 and AM302 are rugged, transformer coupled, re-entrant speakers for use in public address or paging applications. These 15 and 30 watt speakers feature a durable speaker cone and projector constructed of spun aluminum. The speaker wiring connections are enclosed in a dust- and moisture-proof, die-cast aluminum compartment. All external surfaces are sealed with a red or gray powder coat paint.

The bottom of the the units contain two 1/2-inch conduit openings to accommodate inbound and outbound audio wiring. The unique shape of projector provides a 60° sound dispersion. The projector is held in position with a Teflon coated lock ring that can be rotated 180° in order to obtain the desired sound distribution.

These speakers are UL Listed for "Fire Protective Signaling Use". An in-line capacitor (included) provides the isolation necessary for use in supervised systems. These can be used supervised alarm notification systems or AudioMaster® CTS series amplifiers and the Audio Router to complete an industrial grade public address system.

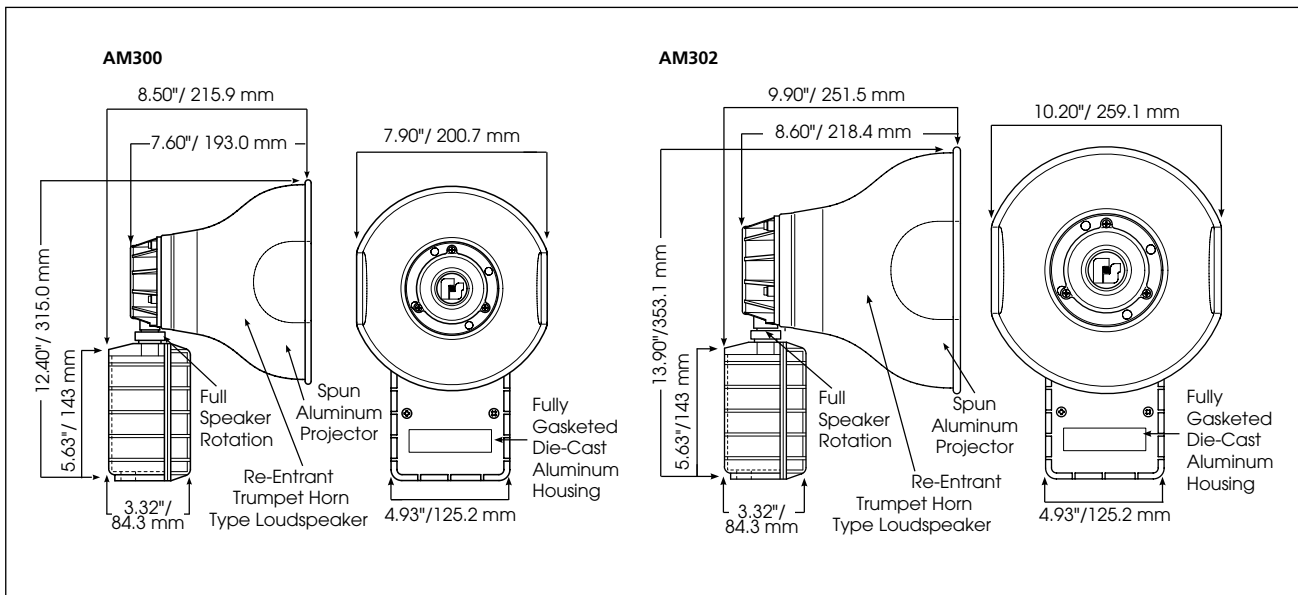
## FEATURES

- 15 watt (AM300) or 30 watt (AM302)
- Transformer coupled
- 25 or 70 Vrms
- Re-entrant horn design
- Wall mount
- Indoor/outdoor use
- Type 3R, IP54 enclosure
- CSFM Approved for Model AM300 only
- UL Fire Listed

MODEL	POWER HANDLING	FREQUENCY RESPONSE	TRANSFORMER	POWER TAPS	BEAM WIDTH	SPL ON AXIS	
						10'	1 M
<b>AM300-*</b>	15 watt	400-4000Hz	25/70 Vrms	15, 9, 3, 1.5	60°	110 dBa	120 dBa
<b>AM302-*</b>	30 watt	400-4000Hz	25/70 Vrms	30, 15, 7	60°	114 dBa	124 dBa

\* Indicates housing color: (-R) for Red housing, leave blank for Gray

# AudioMaster® Public Address Speakers (AM300 and AM302)



## SPECIFICATIONS

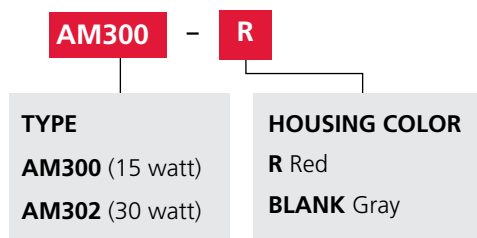
### AM300

Net Weight:	4.85 lbs	2.2 kg
Shipping Weight:	6.15 lbs	2.79 kg
Height:	12.40"	315.0 mm
Width:	7.90"	200.7 mm
Depth:	8.50"	215.9 mm

### AM302

Net Weight:	7.2 lbs	3.3 kg
Shipping Weight:	8.1 lbs	3.67 kg
Height:	13.90"	353.1 mm
Width:	10.20"	259.1 mm
Depth:	9.90"	251.5 mm

## HOW TO ORDER



## REPLACEMENT PARTS

Description	Part Number
15W Speaker Assembly, Gray for AM300	K8593082A
15W Diaphragm, Voice Coil, Butterfly Assembly for AM300	K8593035A
30W Speaker Assembly, Gray for AM302	K8593103A
30W Diaphragm, Voice Coil, Butterfly Assembly for AM302	K8590246A
Diaphragm Gasket for AM302	K8590243A
Housing, Gray for AM300/AM302	K8473021A
Housing Gasket for AM300/AM302	K288A043