



# Explosion-Proof Static Warning Lights

2000 Series Models FL18 and FL36

## DESIGNED FOR USE IN ATEX ZONE RATED ATMOSPHERES

- Twin fluorescent lamps for security (sold separately)
- Individual lamp control gear
- 8,000 hour lamp life
- Available in six colors
- Ex 'e' terminal chamber available
- AC and DC voltage ranges
- Approved for use in Zone 1, 2, 21, 22 Atmospheres

The 2000 Series model FL18 and FL36 static warning beacons are visual signals designed for use in hazardous locations that require ATEX approval. At the heart of its design is a compact fluorescent lamp configuration that provides long life, excellent vibration resistance and a signal-specific colored glow.

FL18 and FL36 beacons are sealed from dust and water by a nitrile rubber o-ring. All exterior cast aluminum surfaces are finished in powder coat paint and external hardware is manufactured from stainless steel to resist corrosion. Available signal colors are Amber, Blue, Clear, Green, Red and Yellow.

The FL18 and FL36 beacons are externally powered by an AC or DC source. Screw type terminal blocks are provided for field wiring on all units.

All variations of the FL18 and FL36 beacons feature a four entry fixture to allow cable looping. These cable entries are metric (M20 X 1.5) but other configurations are available upon request.

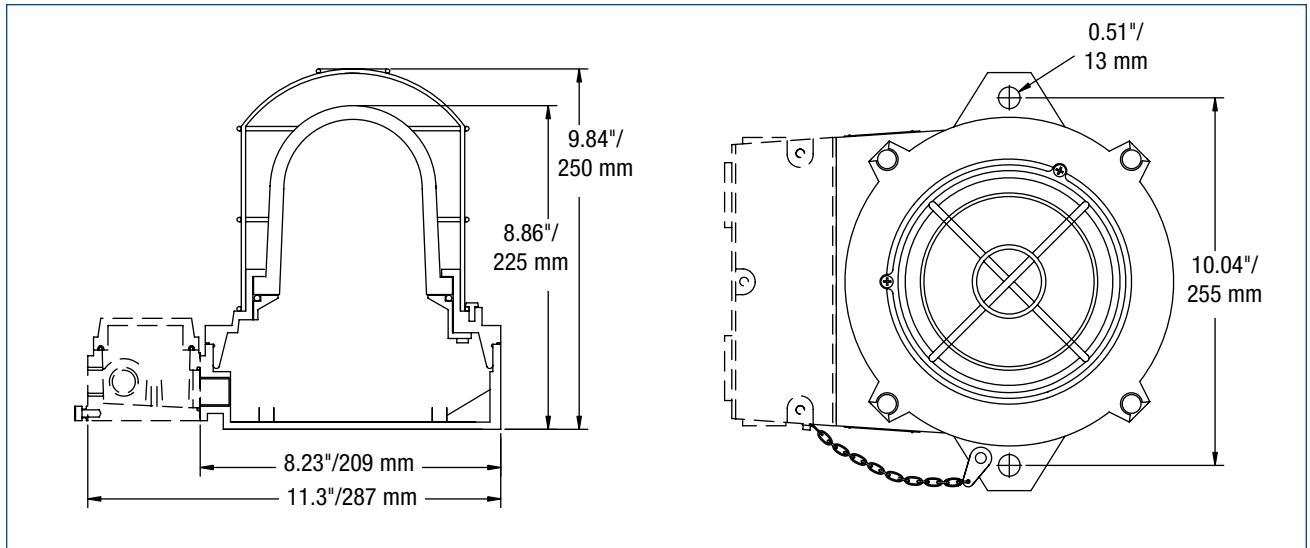
**ATEX IEC**  

Model	Voltage	Operating Current	Equivalent wattage
FL18	240VAC	0.18 amps	17.5 watt
FL18	110VAC	0.27 amps	16.0 watt
FL18	110VDC	0.14 amps	14.5 watt
FL18	48VDC	0.42 amps	19.2 watt
FL18	24VDC	0.87 amps	20.9 watt
FL36	240VAC	0.18 amps	40.2 watt

Specify color: (A) Amber, (B) Blue, (C) Clear, (G) Green, (R) Red or (Y) Yellow



# EXPLOSION-PROOF STATIC WARNING LIGHTS (2000 SERIES FL18/FL36)



## SPECIFICATIONS

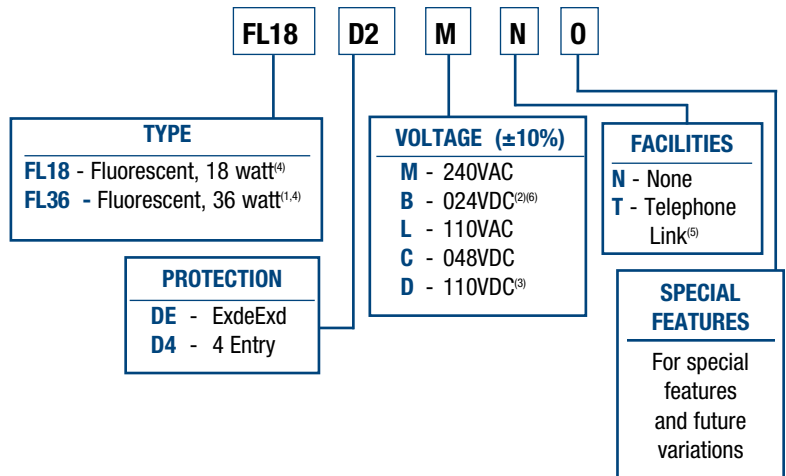
Lamp Life:	8,000 Hours	8,000 Hours	Terminals:	
Light Source:	Fluorescent	Fluorescent	Ex d:	4 way block mounted PCB
Operating Temperature:			Ex de:	12 way block in terminal
Ex d and Ex de:	-40°F to 158°F	-40°C to 70°C(T4)	Cable entries:	
chamber			Ex d:	4 entries - M20 x 1.5
Net Weight:			Ex de:	4 entries - M20 x 1.5
Ex d:	13.23 lbs.	6.0 kg	Mounting:	Via fixed cast lugs at two mounting points
Ex de:	15.43 lbs.	7.0 kg	Body:	Marine Grade Alloy painted Regal Red
Shipping Weight:	16.5 lbs.	7.5 kg	Exterior dome:	Toughened glass
Height:	9.84"	250 mm	Guard:	316 stainless steel
Width:	10.04"	255 mm	Ingress Protection:	IP66
Length:	8.23"	209 mm		
ATEX Certificate Number:	Baseefa 07ATEX0150			
IECEX Certificate Number:	IECEX BAS 07.0038			
Certification Marking:	Ex d IIB T4 Ex tD A21	Ex de IIB T4 Ex tD A21		

## HOW TO ORDER

Fluorescent Lamps Sold Separately:

Two Required for FL18,  
Four Required for FL36

FL Tube, Amber	P/N A2158A
FL Tube, Blue	P/N A2158B
FL Tube, Clear	P/N A2158
FL Tube, Green	P/N A2158G
FL Tube, Red	P/N A2158R
FL Tube, Yellow	P/N A2158Y



### NOTES:

- (1) Only the 240VAC voltage is available with FL36 beacon
- (2) Range 22VDC to 32VDC with FL18 beacon
- (3) Range 100VDC to 135VDC with xenon beacons (inclusive of ±10%).  
FL18 is 100VDC to 150VDC inclusive of ±10%.

- (4) 2 pcs. required for FL18, 4 pcs. required for FL36
- (5) Applicable to Xenon AND LED beacons only
- (6) LED beacon available in 24VDC and 110-240VAC only