



► Model 2000 Series

Flameproof LED Light

The 2000 Series Model LED is a visual signal warning light for use in hazardous locations requiring ATEX approval. The beacon can produce three light patterns: steady-on, slow flash or rapid flash.

The 2000 Series LED beacon is sealed from dust and water by a nitrile rubber o-ring. All exterior cast aluminum surfaces are finished in powder coat paint and external hardware is manufactured from stainless steel to resist corrosion. Available signal colors are Amber, Blue, Clear, Green, Red and Yellow.

The 2000 Series LED beacon is externally powered by 24VDC or 110-240VAC source. All AC powered units feature a switch mode power supply that accommodates a wide input voltage range without requiring any additional configuration from the user. PLC initiation is compatible without the use of an external relay. Screw type terminal blocks are provided for field wiring on all units.

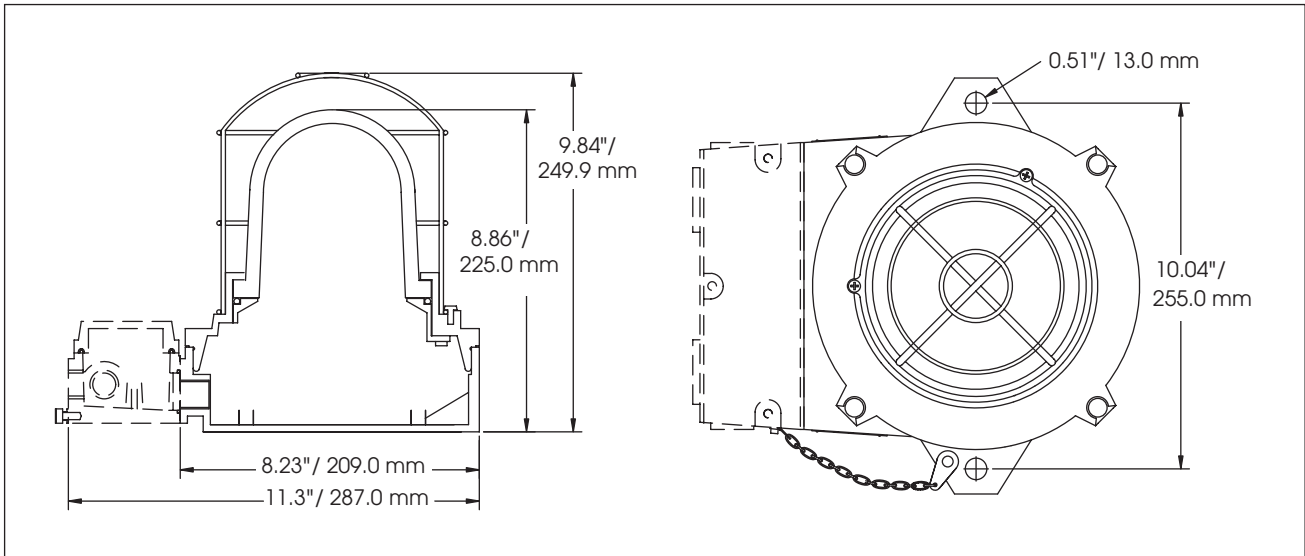
All variations of the 2000 Series LED beacon feature a four entry fixture to allow cable looping. These cable entries are metric (M20 X 1.5) but other configurations are available upon request.

FEATURES

- 3 remotely selectable flash patterns
- 50,000 hour lamp life
- Six lamp/lens colors: Amber, Blue, Clear, Green, Red and Yellow
- Ex 'e' terminal chamber available
- AC and DC voltage ranges
- Approved for use in Zone 1, 2, 21, 22 Atmospheres
- Corrosion resistant powder coat finish
- Stainless steel external hardware
- IP66 enclosure
- ATEX, IECEx and CE Certified

MODEL	VOLTAGE	OPERATING CURRENT	FLASH RATE/ MINUTE	MAXIMUM IN-RUSH CURRENT
2000 Series LED	24VDC	0.50 amps	60-80	1.75A for 5.00mS
	110VAC	0.22 amps	60-80	2.00A for 0.25mS
	240VAC	0.13 amps	60-80	2.00A for 0.25mS

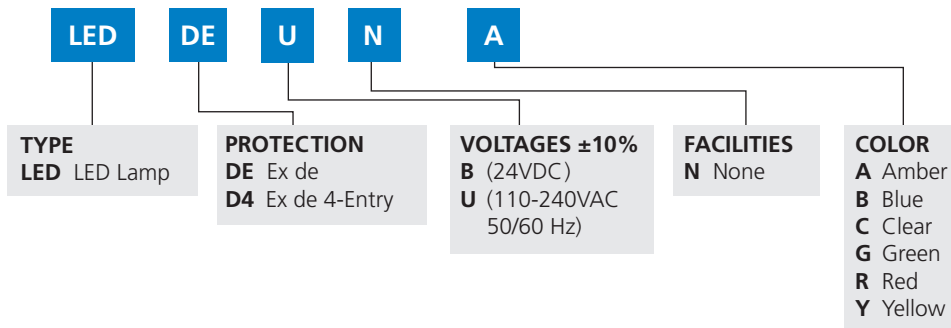
Flameproof LED Light (2000 Series LED)



SPECIFICATIONS

Lamp Life:	50,000 Hours	ATEX Certificate Number:	Baseefa 07ATEX0150
Light Source:	LED	IECEx Certificate Number:	IECEx BAS 07.0038
Light Output:		Certification Marking:	Ex d IIB T6 Gb or Ex de IIB T6 Gb, Ex tb IIB T85°C Db
Amber	113 cd	Terminals:	
Blue	12 cd	Ex d:	4 way block mounted PCB
Clear	90 cd	Ex de:	12 way block in terminal chamber
Green	66 cd	Cable entries:	
Yellow	60 cd	Ex d:	4 entries - M20 x 1.5
Red	63 cd	Ex de:	4 entries - M20 x 1.5
Operating Temperature:	-40°F to 131°F -40°C to 55°C	Mounting:	Via fixed cast lugs at two mounting points
Net Weight:		Body:	Marine Grade Alloy painted Regal Red
Ex d:	13.23 lbs 6.0 kg	Exterior dome:	Toughened glass
Ex de:	15.43 lbs 7.0 kg	Guard:	316 stainless steel
Shipping Weight:	16.5 lbs 7.5 kg	Ingress Protection:	IP66
Height:	9.84" 249.9 mm		
Width:	10.04" 255.0 mm		
Length:	8.23" 209.0 mm		

HOW TO ORDER



#B50000777 Rev. A0