

25500507 Rev. A1 1219

### **Safety Message to Installers of Warning Light Equipment**

People's lives depend on your proper installation and servicing of Federal Signal products. It is important to read and follow all instructions shipped with this product and the original product. Listed below are some other important safety instructions and precautions you should follow:

- To properly install the lighting system, you must have a good understanding of automotive systems, along with proficiency in the installation and use of safety warning equipment.
- Do not install equipment or route wiring in the deployment path of an airbag.
- If a vehicle seat is temporarily removed, verify with the vehicle manufacturer if the seat needs to be recalibrated for proper airbag deployment.
- Frequently inspect the light system to ensure that it is operating properly and that it is securely attached to the vehicle.
- When drilling into a vehicle structure, be sure that both sides of the surface are clear of anything that could be damaged.
- Refer to the instructions packed with related products for additional precautions and information.
- File these instructions in a safe place and refer to them when maintaining and/or reinstalling the product.
- Do not stare directly into the lights at a close range or permanent damage to your eyesight may occur.

Failure to follow all safety precautions and instructions may result in property damage, serious injury, or death.

### **Fog Light Bracket Assembly**

This publication has instructions for using the FRF150FOG Mounting Kit to mount a pair of FR4 FireRay® light heads to the fog light location of the Ford F-150.

**NOTE:** For electrical installation instructions, refer to the installation and maintenance instructions packed with the lighthouse.

### **Unpacking the Kit**

After unpacking the kit, inspect it for damage that may have occurred in transit. If it has been damaged, do not attempt to install or operate it. File a claim immediately with the carrier, stating the extent of damage. Carefully check all envelopes, shipping labels, and tags before removing or destroying them. Ensure that the parts in the Kit Contents List are included in the package. If you are missing any parts, contact Customer Support at 1-800-264-3578, 7 a.m. to 5 p.m., Monday through Friday (CT).

Table 1 Kit Contents

| Qty. | Description                                    | Part Number |
|------|------------------------------------------------|-------------|
| 1    | Ford F-150 Fog Light Bracket Instruction Sheet | 25500507    |
| 4    | 5/16"-18 CAP HEX Head Screw                    | 7002A005-16 |
| 4    | 5/16-inch Split Lockwasher                     | 7074A020    |
| 2    | Phillips, #8 Type A Truss Head Screw           | 7011167A-08 |
| 6    | Plastic Nytol Nut Grommet                      | 7065075     |
| 2    | Ford F-150 Brasket Assembly                    | 828302788   |

### Installing the Brackets

**⚠ WARNING**

**AIRBAG DEPLOYMENT:** Do not install equipment or route wiring in the deployment path of an airbag. Failure to observe this warning will reduce the effectiveness of the airbag or potentially dislodge the equipment, causing serious injury or death.

**⚠ WARNING**

**DRILLING PRECAUTIONS:** When drilling holes, check the area you are drilling into to be sure you do not damage vehicle components. All drilled holes should be deburred and all sharp edges should be smoothed. All wire routings going through drilled holes should be protected by a grommet or convolute/split loom tubing.

**IMPORTANT:** Plan all cable routing before the installation.

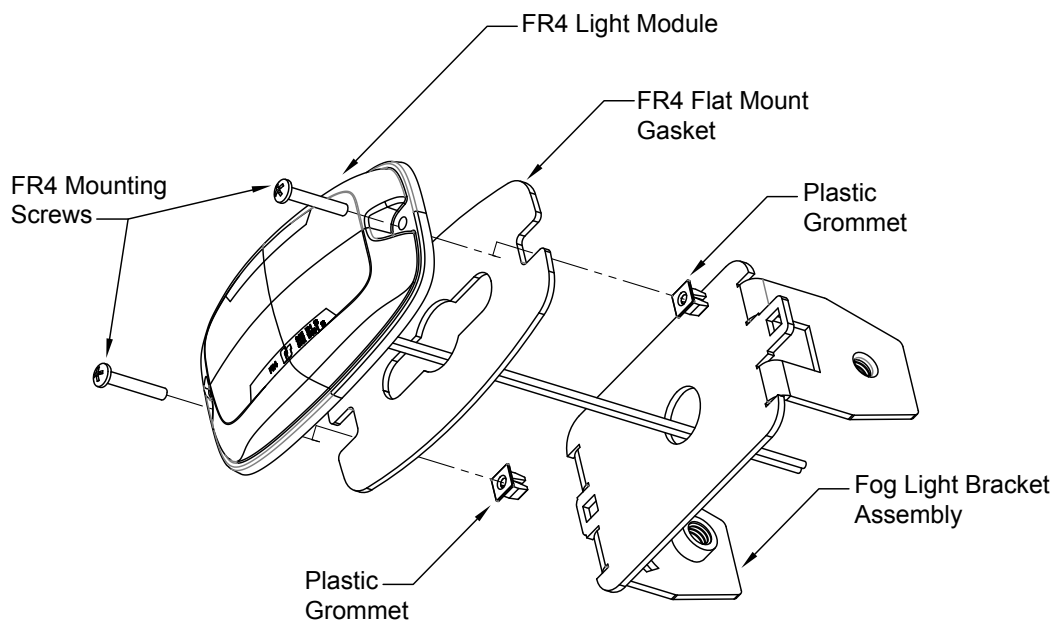
### Installing the Fog Light Bracket

To install the Fog Light Bracket:

1. Follow the vehicle factory recommended procedure for removing the existing fog light housing assembly from the vehicle.
2. Disconnect the fog light electrical connections and any hardware used to secure the fog light assembly to the housing and then carefully remove the fog light from the housing.

3. Install the (3) supplied plastic grommets to the bracket assembly as shown in Figure 1.

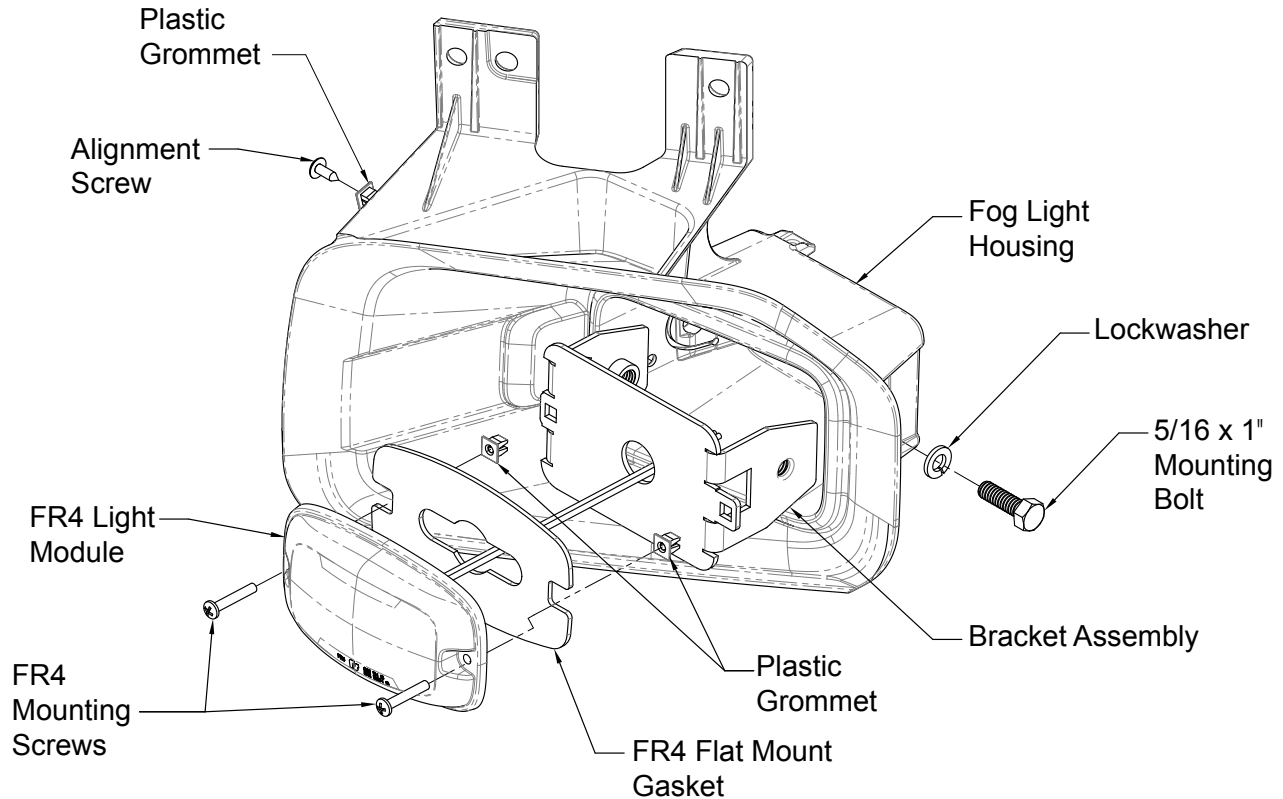
**Figure 1 Bracket mount**



## Mounting Instructions for the Fog Light Bracket

- Secure the FR4 FireRay® light module with the FR4 flat mount gasket behind it to the fog light mounting bracket using the mounting screws supplied with the FR4 light assembly. See assembly in Figure 2.

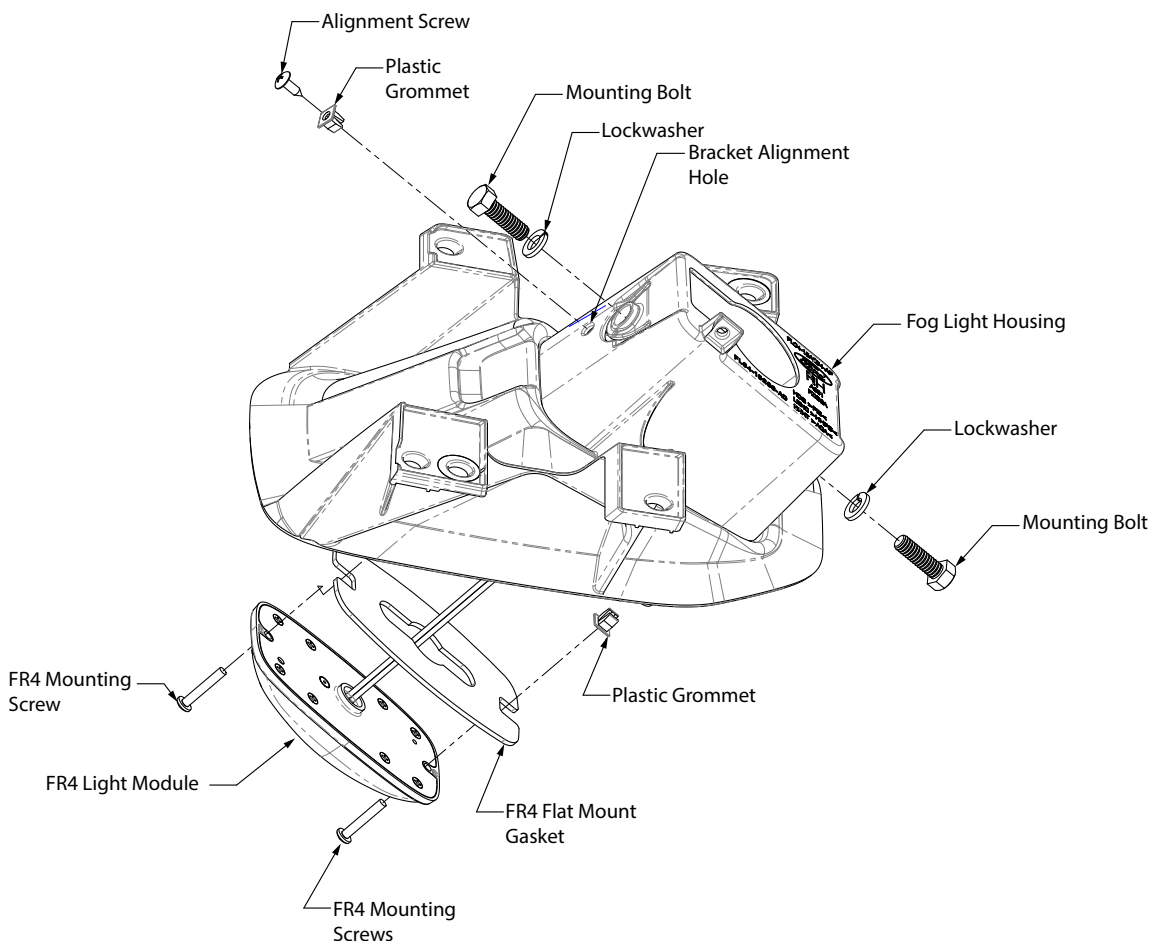
**Figure 2 Bracket mounted**



- Make proper wire connections between FR4 light module and vehicle and make sure wire connections are secure. Refer to light module instruction sheet for wire color functions and fusing recommendations.
- Insert the lighthead with bracket assembly into the fog light as shown in Figure 2. Make sure lighthead wires are not kinked and exit out the rear of the fog light housing to eliminate any operational problems.

7. Use the (2) 5/16" x 1" hex head bolts with the (2) 5/16" lock washers to attach the bracket assembly to the fog light housing as shown in Figure 3. Do not tighten.

**Figure 3 Bracket mounted**



8. Fasten the #8 x 1" alignment screw to the side of the fog light housing as shown in Figure 3 to ensure bracket assembly is aligned vertically inside housing.
9. Secure the (2) 5/16" x 1" hex head bolts, previously used to with attach the bracket assembly, to lock the bracket assembly into place.
10. Properly replace the fog light housing back into its originally location on the vehicle while following recommended factory installation procedures.

**⚠ WARNING**

**LIGHT HAZARD:** To be an effective warning device, an emergency warning system produces bright light that can be hazardous to your eyesight when viewed at a close range. Do not stare directly into the lights at a close range or permanent damage to your eyesight may occur.

11. Test the lights for proper operation.

## ***Mounting Instructions for the Fog Light Bracket***

---

### **Getting Technical Support and Service**

For technical support and service, please contact:

Service Department  
Federal Signal Corporation  
Phone: 1-800-433-9132  
Email: [empserviceinfo@fedsig.com](mailto:empserviceinfo@fedsig.com)  
[www.fedsig.com](http://www.fedsig.com)

### **Getting Repair Service**

The Federal Signal factory provides technical assistance with any problems that cannot be handled locally.

Any units returned to Federal Signal for service, inspection, or repair must be accompanied by a Return Material Authorization (RMA). Obtain a RMA from a local Distributor or Manufacturer's Representative.

Provide a brief explanation of the service requested, or the nature of the malfunction.

Address all communications and shipments to the following:

Federal Signal Corporation  
Service Department  
2645 Federal Signal Drive  
University Park, IL 60484-3167

### **Ordering Replacement Parts**

To order replacement parts, call Customer Support at 1-800-264-3578, 7 a.m. to 5 p.m., Monday through Friday (CT) or contact your nearest distributor.

**Limited Warranty**

This product is subject to and covered by a limited warranty, a copy of which can be found at [www.fedsig.com/SSG-Warranty](http://www.fedsig.com/SSG-Warranty). A copy of this limited warranty can also be obtained by written request to Federal Signal Corporation, 2645 Federal Signal Drive, University Park, IL 60484, email to [info@fedsig.com](mailto:info@fedsig.com) or call +1 708-534-3400.

This limited warranty is in lieu of all other warranties, express or implied, contractual or statutory, including, but not limited to the warranty of merchantability, warranty of fitness for a particular purpose and any warranty against failure of its essential purpose.



**FEDERAL SIGNAL**  
Safety and Security Systems

2645 Federal Signal Drive  
University Park, Illinois 60484-3167

[www.fedsig.com](http://www.fedsig.com)

Customer Support

Police/Fire-EMS: 800-264-3578 • +1 708 534-3400

Work Truck: 800-824-0254 • +1 708 534-3400

Technical Support: 800-433-9132 • +1 708 534-3400

© *Copyright 2019 Federal Signal Corporation*

All product names or trademarks are properties of their respective owners.