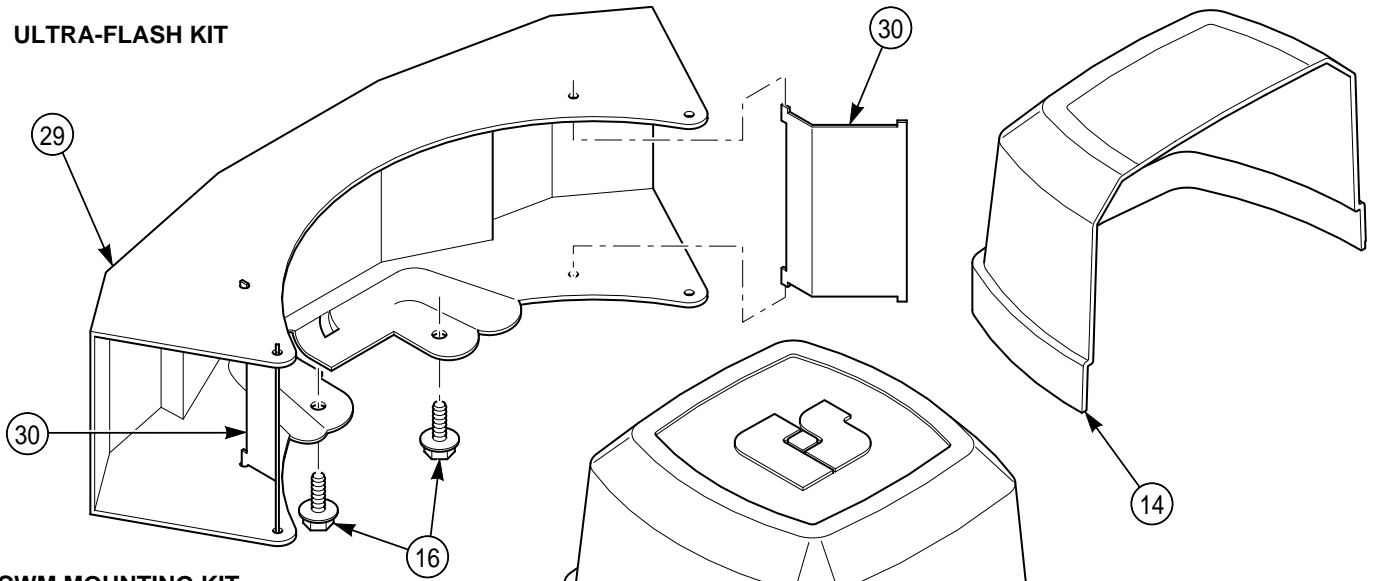
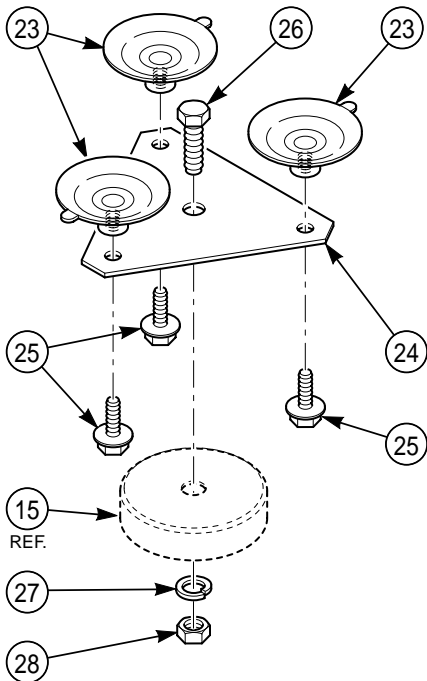


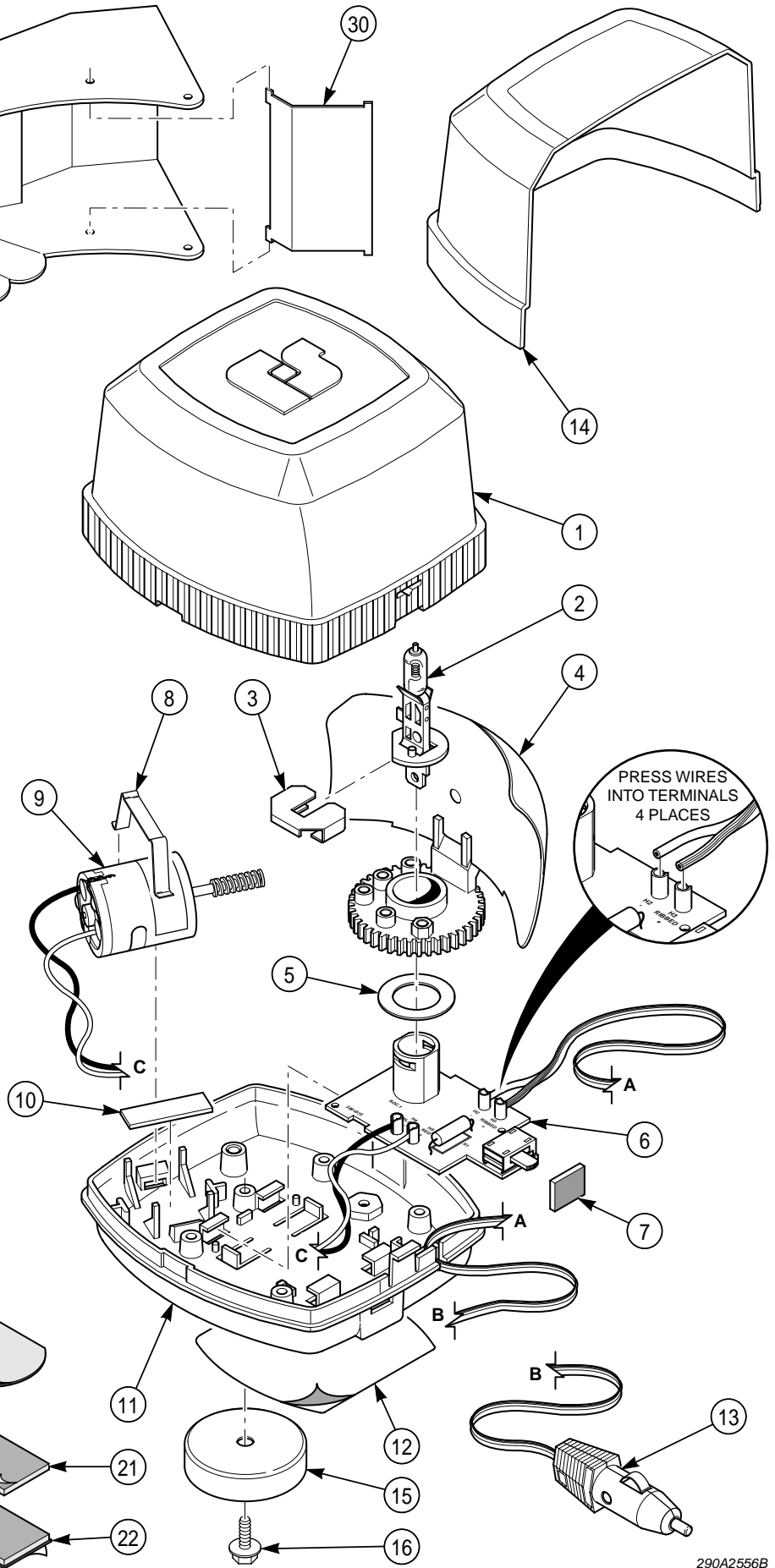
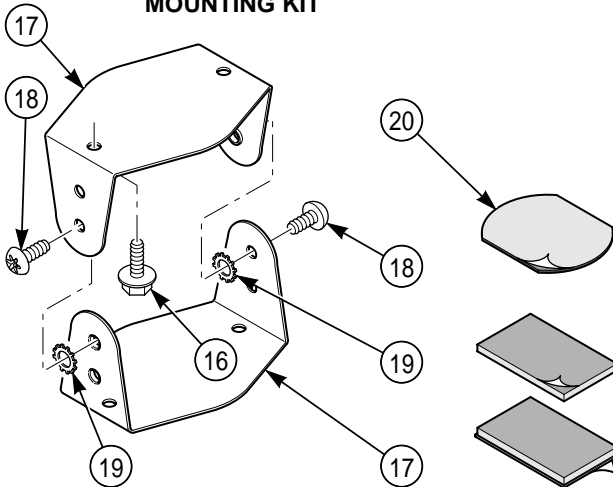
ULTRA-FLASH KIT



SCWM MOUNTING KIT



MOUNTING KIT



FireBeam®
Model FB3 Series

Printed 1999

M O D E L S

PPL0262
PARTS LIST

Item No.	Description	Part No.	F B 3 M E F L S M 24						
			F B 3 M E F L S M 24	F B 3 M E F L S M 24	F B 3 M E F L S M 24	F B 3 M E F L S M 24	F B 3 M E F L S M 24	F B 3 M E F L S M 24	F B 3 M E F L S M 24
1	Dome, Clear	Z8550137A							
	Dome, Red	Z8550137A-01							
	Dome, Amber	Z8550137A-02	1	1	1	1	1	1	1
	Dome, Blue	Z8550137A-03	AR	AR	AR	AR	AR	AR	AR
	Dome, Green	Z8550137A-04							
	Dome, C.I.E. Blue	Z8550137A-05							
	Dome, Magenta	Z8550137A-06							
2	Lamp, Halogen 55W (12V)	Z8440A265A-01	1		1	1	1		1
	Lamp, Halogen 70W (24V)	Z8444A151A		1					1
3	Clip, Socket	Z8550133A	1	1	1	1	1	1	1
4	Gear & Reflector Assembly	Z8550143C	1	1	1	1	1	1	1
5	Washer, Flat .625 I.D.	Z7072236A	1	1	1	1	1	1	1
6	P.C. Board Assembly, FB3	Z2001073A						1	1
	P.C. Board Assembly, FB3	Z2001073A-01	1	1	1	1			
	P.C. Board Assembly, FB3	Z2001073A-02							1
7	Gasket, Cover	Z8550209A	1	1	1	1			
8	Band, Motor	Z8550138A	1	1	1	1	1	1	1
9	Motor Assembly, 12V (95 FPM)	Z8559A055A	1						
	Motor Assembly, 9V (175 FPM)	Z8559A055A-01			1	1			
	Motor Assembly, 24V (95 FPM)	Z8559A055A-02		1					
	Motor Assembly, 9V	Z8559A055A-01						1	1
	Motor Assembly, 24V (Medium Speed)	Z8559A055A-03							1
10	Gasket, FB3	Z8550202A	1	1	1	1	1	1	1
11	Base	Z8550136A	1	1	1	1	1	1	1
12	Label, FB3	Z81461137A	1						
	Label, FB3	Z81461202A		1					
	Label, FB3	Z81461174A			1	1			
	Label, FB3	Z161612A						1	1
	Label, FB3	Z81461203A							1
13	Plug Assembly	Z8440B015	1	1	1				1
	Plug Assembly	Z8550253A				1			1
	Plug Assembly	Z8550B045A					1		
14	Dome Cover, Black	Z8550140A							
	Dome Cover, Amber	FB3C-A	1	1	1	1	1	1	1
	Dome Cover, Red	FB3C-R	AR	AR	AR	AR	AR	AR	AR
	Dome Cover, Blue	FB3C-B							
	Dome Cover, Green	FB3C-G							
Kit, Magnet Mount (Includes items 15 & 16)		Z8550216B	1	1	1	1			
15	Magnet Assembly	Z8550A012A	1	1	1	1			
16	Screw, #10 x 1/2" HI-LO Hex Washer Head	Z7017A034-08	1	1	1	1			
	Kit, Permanent Mounting (Includes items 15 thru 22)	Z8550240B						1	1
17	Bracket, Mounting	Z8550161A						2	2
18	Screw, #10-32 x 3/8" Type TT, Torx Pan Head	Z7011162B-06						2	2
19	Lockwasher, #10 External Tooth	Z7075A026						2	2
20	Pad, Adhesive 2" x 2-1/2"	Z8550A031A						1	1
21	Velcro, Hook 2" x 2-1/2"	Z8550A100A						1	1
22	Velcro, Loop 2" x 2-1/2"	Z8550A101A						1	1
Kit, SCWM Mounting (Includes items 23 thru 28)		SCWM	1	1	1	1	1	1	1
23	Suction Cup	Z8573149A	3	3	3	3	3	3	3
24	Plate, Suction Cup	Z8573150A	1	1	1	1	1	1	1
25	Screw, #10 x 3/8" HI-LO Hex Washer Head	Z7017A034-06	3	3	3	3	3	3	3
26	Screw, Mach., 1/4-20 x 3/8" Hex Head	Z7000A311-06	1	1	1	1	1	1	1
27	Lockwasher, 1/4" Split	Z7074A015	1	1	1	1	1	1	1
28	Nut, Hex 1/4-20	Z7059A018	1	1	1	1	1	1	1
Kit, Ultra-Flash (Includes items 16, 29 & 30)		UF7	1	1	1	1	1	1	1
29	Mirrored Housing, Ultra-Flash		1	1	1	1	1	1	1
30	Mirror, Insert	Z8550145A	2	2	2	2	2	2	2

DO NOT ORDER PARTS BY ITEM NUMBER.
Give model, description and part number.
When a part number is not supplied, the part is **NOT** available.
Refer to PARTS PRICE LIST (Part No. 1001) for prices of parts.

Federal Signal Corporation
2645 Federal Signal Drive
University Park, IL 60466

Printed in U.S.A.