

D

C

B

A

4

4

3

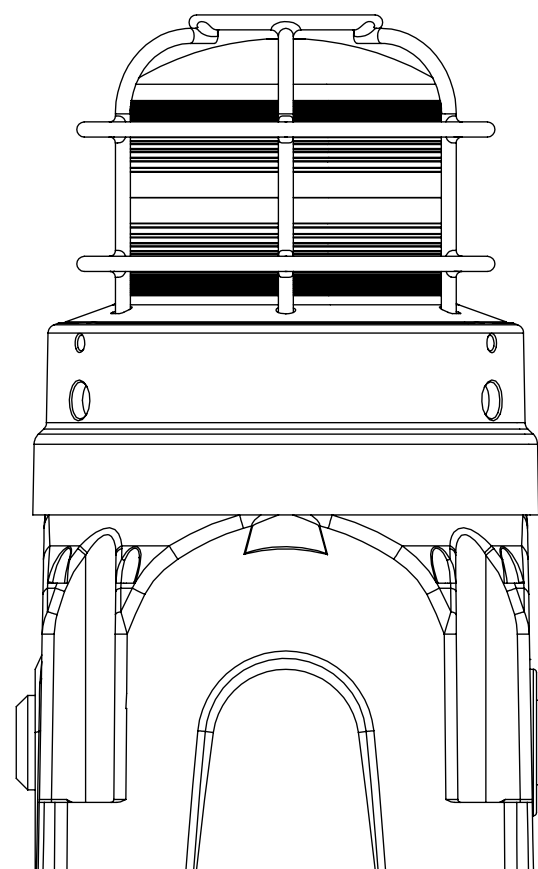
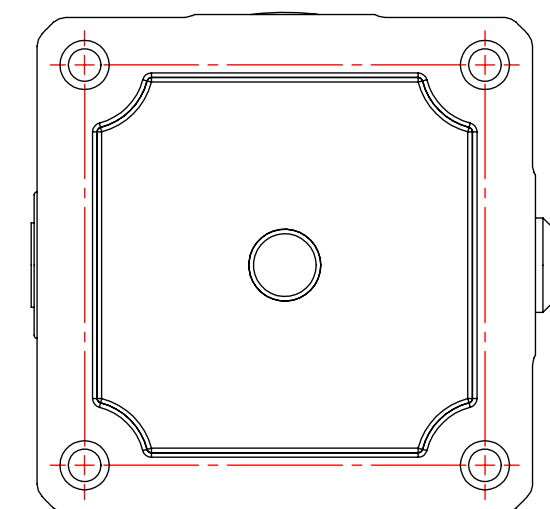
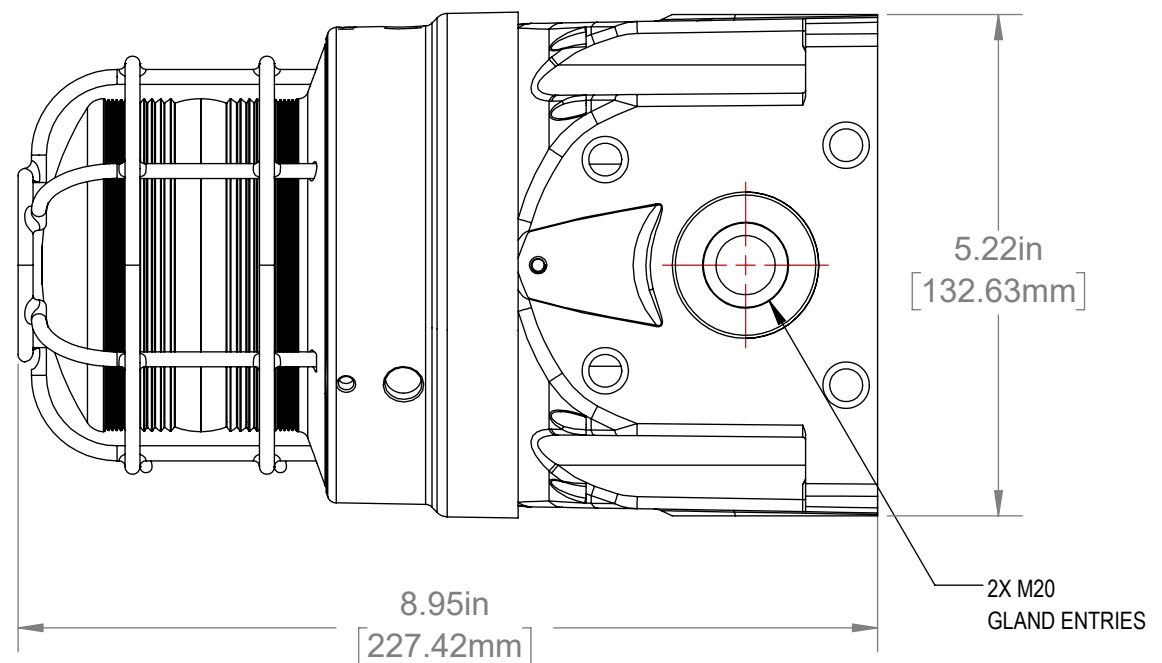
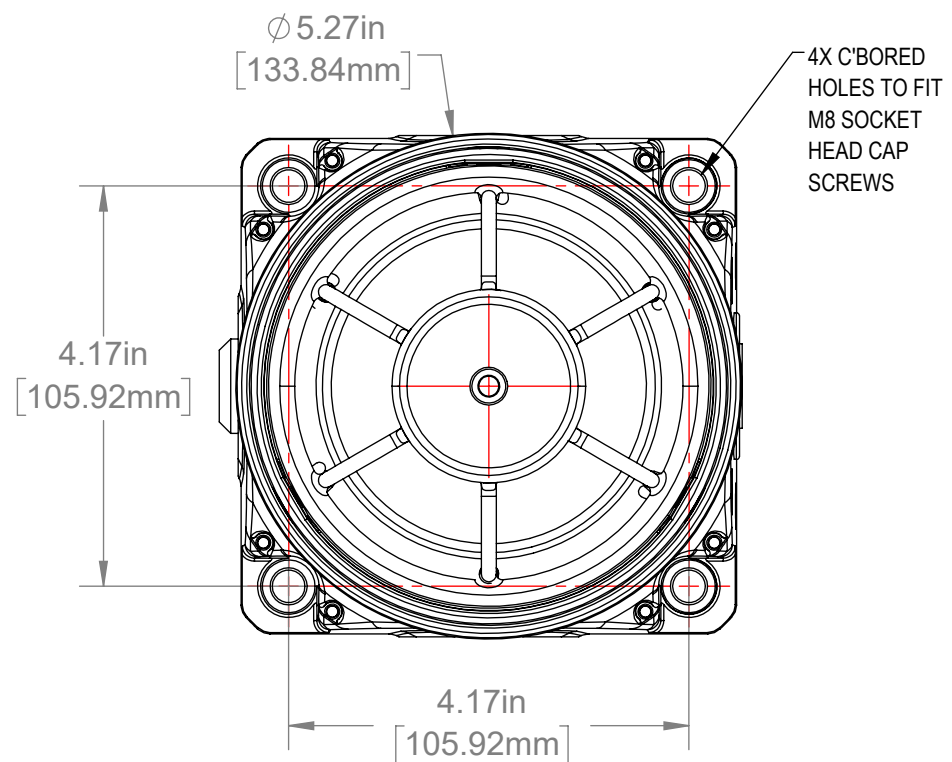
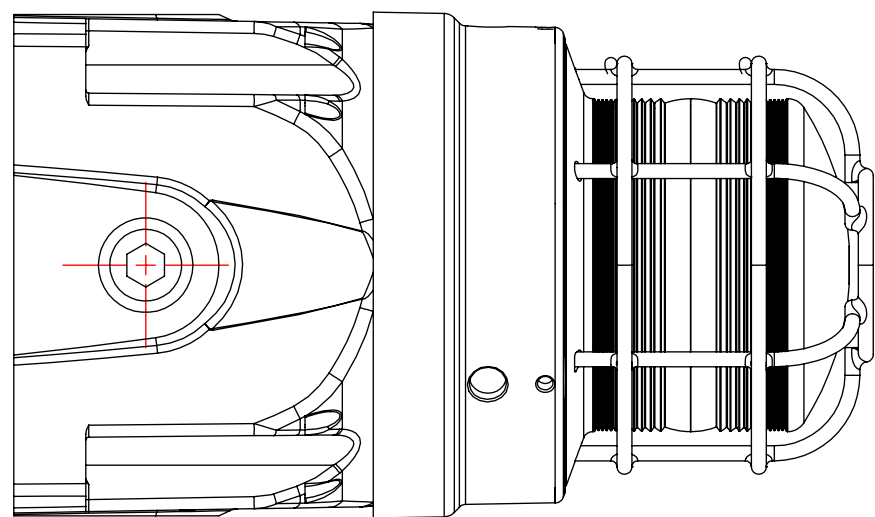
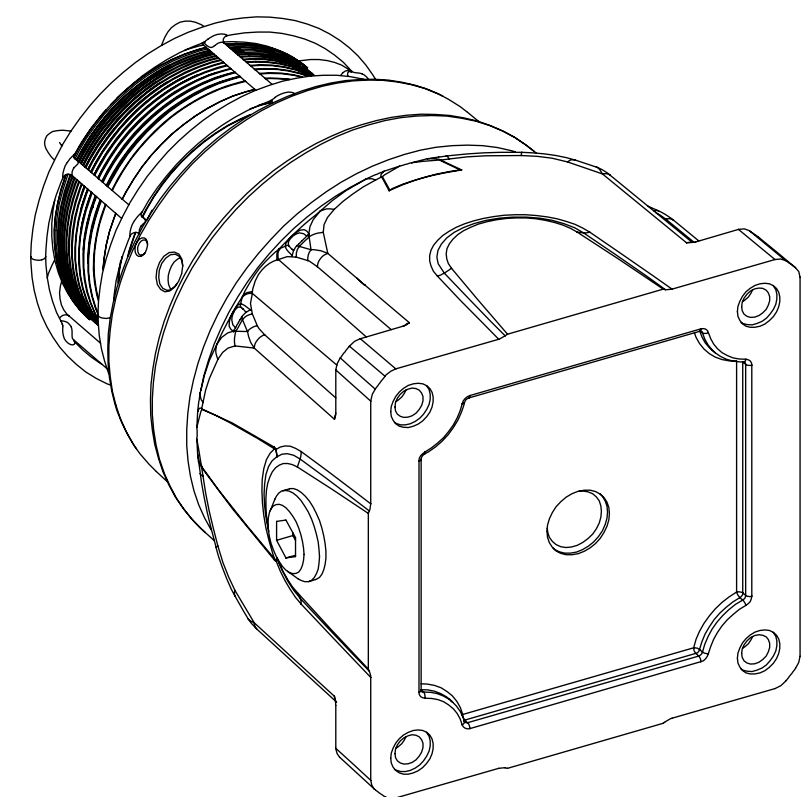
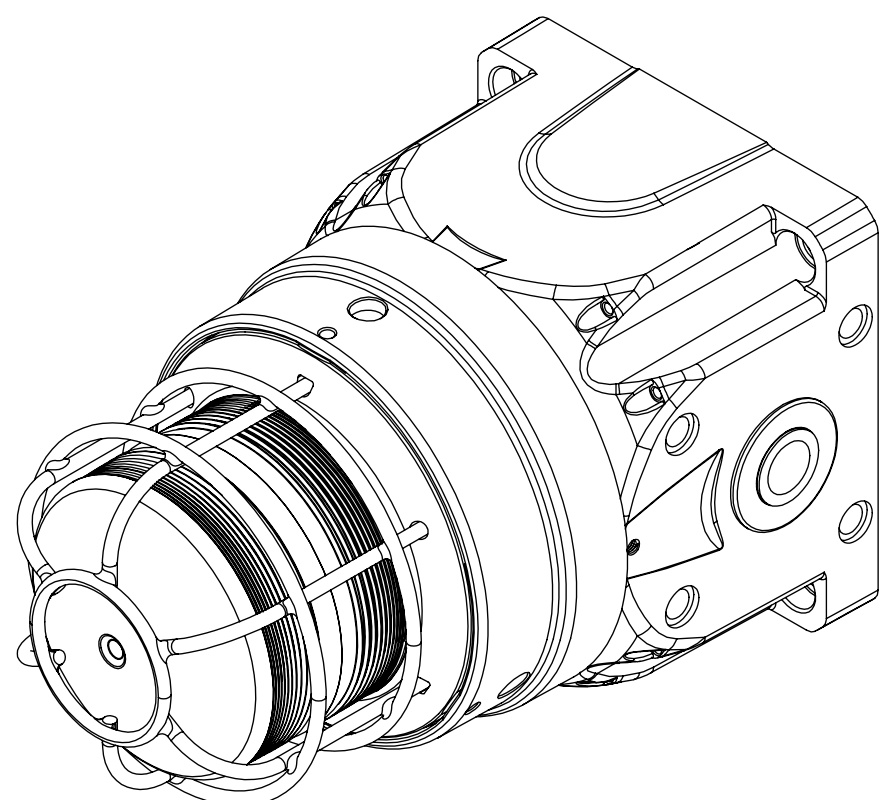
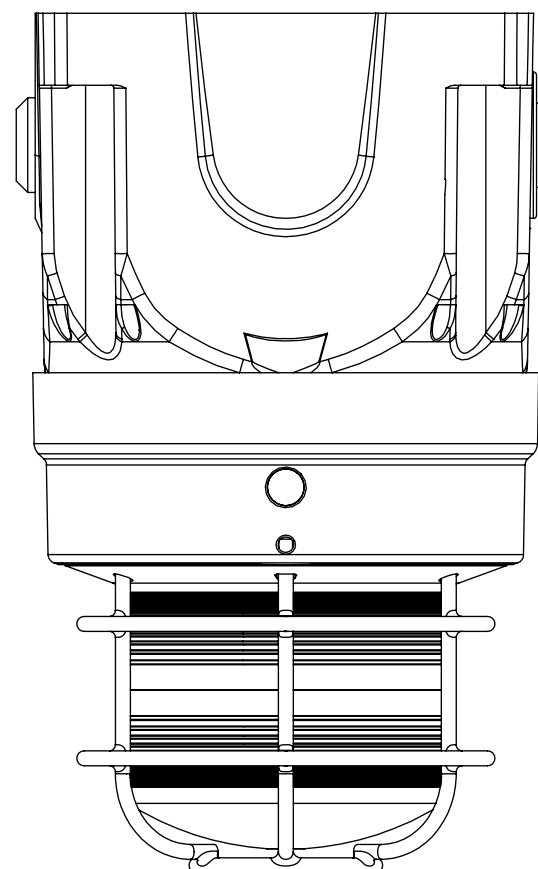
3

2

2

1

1



REF. SHEET 2 OF 3 FOR LED-H EX D W/TRUNNION  
REF. SHEET 3 OF 3 FOR LED-H EX D E

SHEET: 1 OF 3  
UNITS: INCHES

|  |  |   |  |   |
|--|--|---|--|---|
| <b>FEDERAL SIGNAL</b><br>2645 FEDERAL SIGNAL DRIVE<br>UNIVERSITY PARK, IL 60484  |  | SAFETY &<br>SECURITY<br>ROUP  | Tolerances: (Unless Otherwise Specified):<br>In[mm]-----:0.5*<br>Angles-----:0.15[0.4]<br>x.xx[x.xx]-----:0.015[0.4]<br>x.xxx[x.xx]-----:0.005[0.12] | NAME<br><b>REF. DWG: G SERIES LED-H MODULES<br/>         EX D, EX D W/TRUNNION, EX DE</b> |
| MATERIAL DESCRIBED AND INFORMATION CONVEYED IS PROPRIETARY TO FEDERAL SIGNAL CORPORATION, IS OR MAY BE THE SUBJECT OF PATENT APPLICATIONS, AND MAY NOT BE COPIED, DIVULGED TO OTHERS, OR USED FOR MANUFACTURING WITHOUT CONSENT. |  | FINISH<br><b>PER NOTES</b><br>REMOVE BURRS, SHARP CORNERS AND EDGES |  | SCALE AT C SIZE:<br><b>1/2</b>  |
| REV. INITIAL RELEASE<br>CHANGE   |  | DATE 02/07/20<br>BY MFP   |  | THIRD ANGLE PROJECTION  |
| REV. INITIAL RELEASE<br>CHANGE   |  | DATE 02/07/20<br>BY MFP   |  | UNIT OF MEASURE<br><b>PC</b>  |
| REV. INITIAL RELEASE<br>CHANGE   |  | DATE 02/07/20<br>BY MFP   |  | DRAWING NUMBER<br><b>850000992A</b>   |

D

C

B

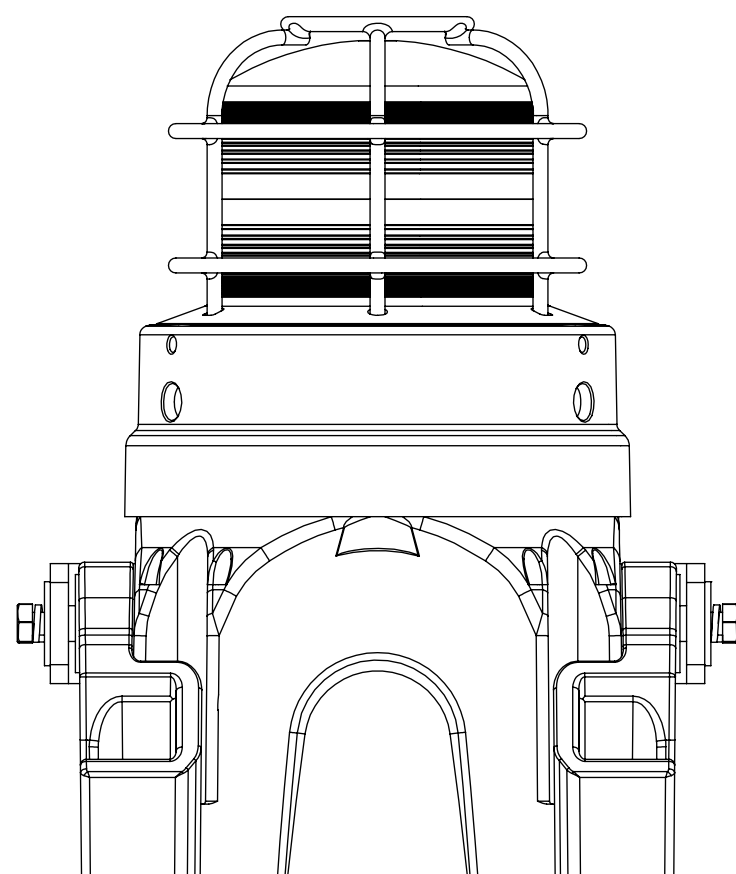
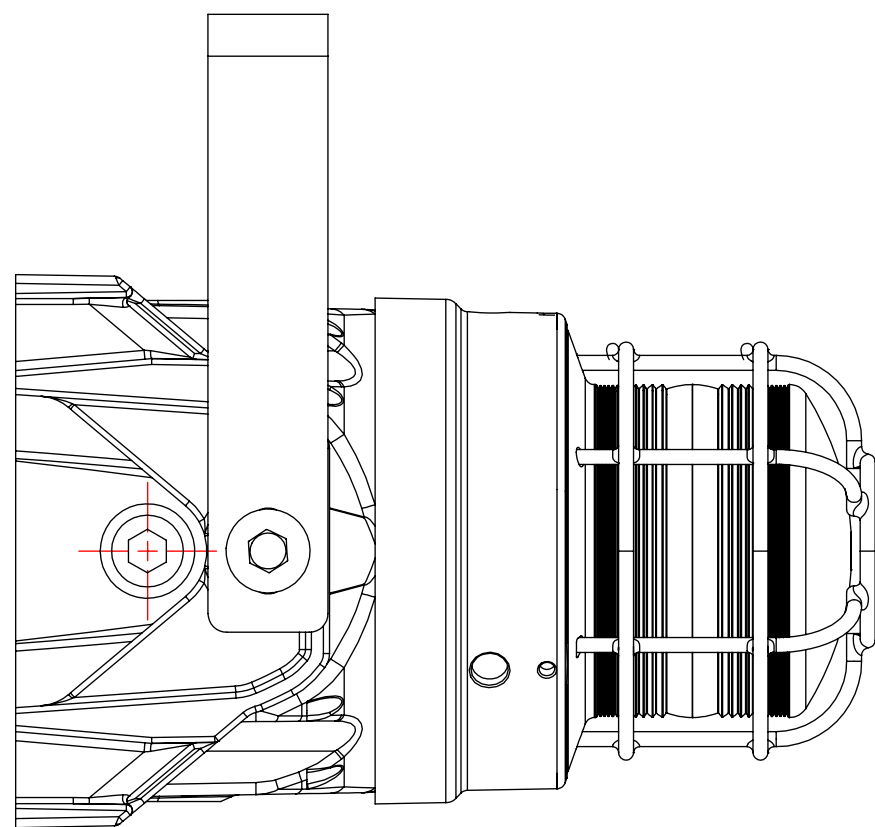
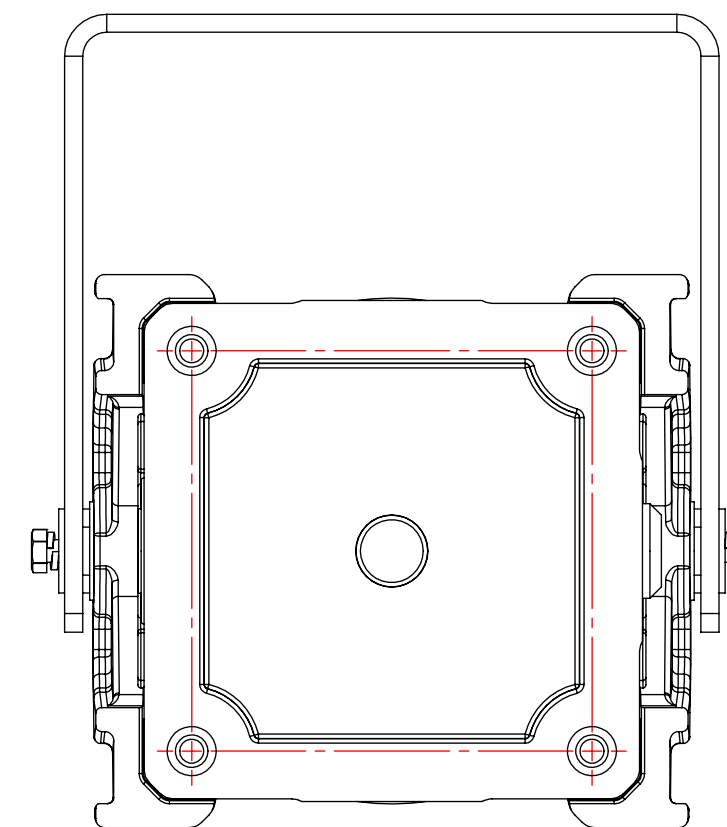
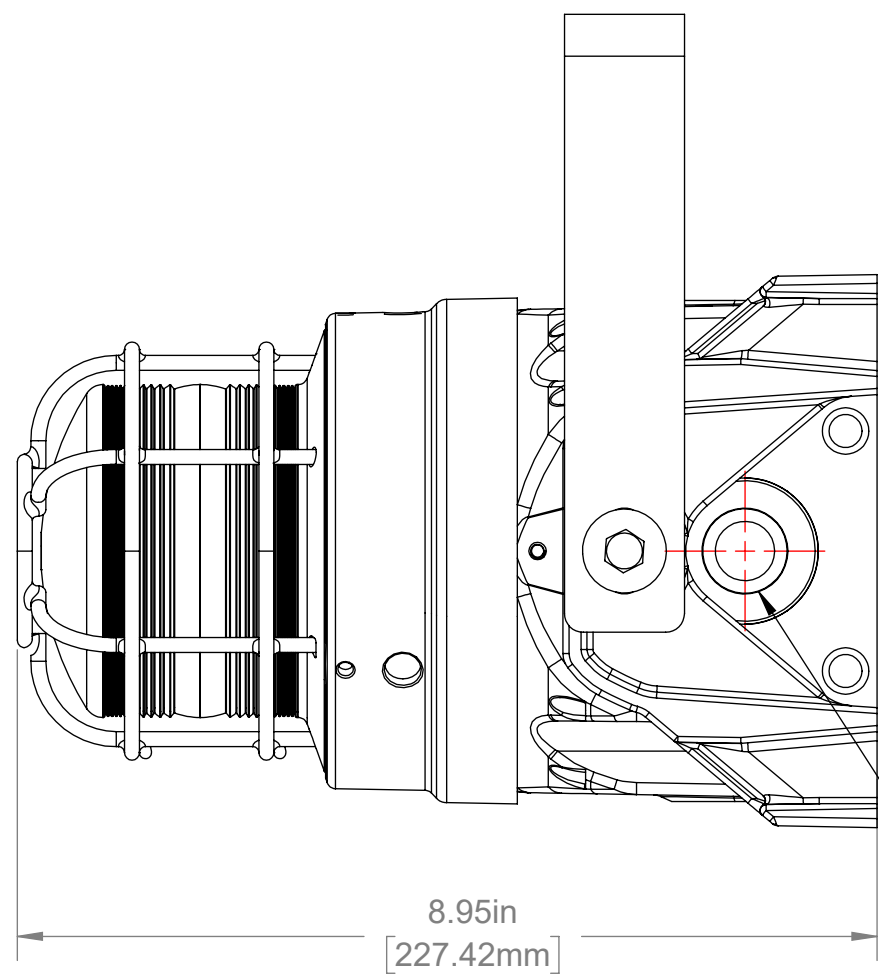
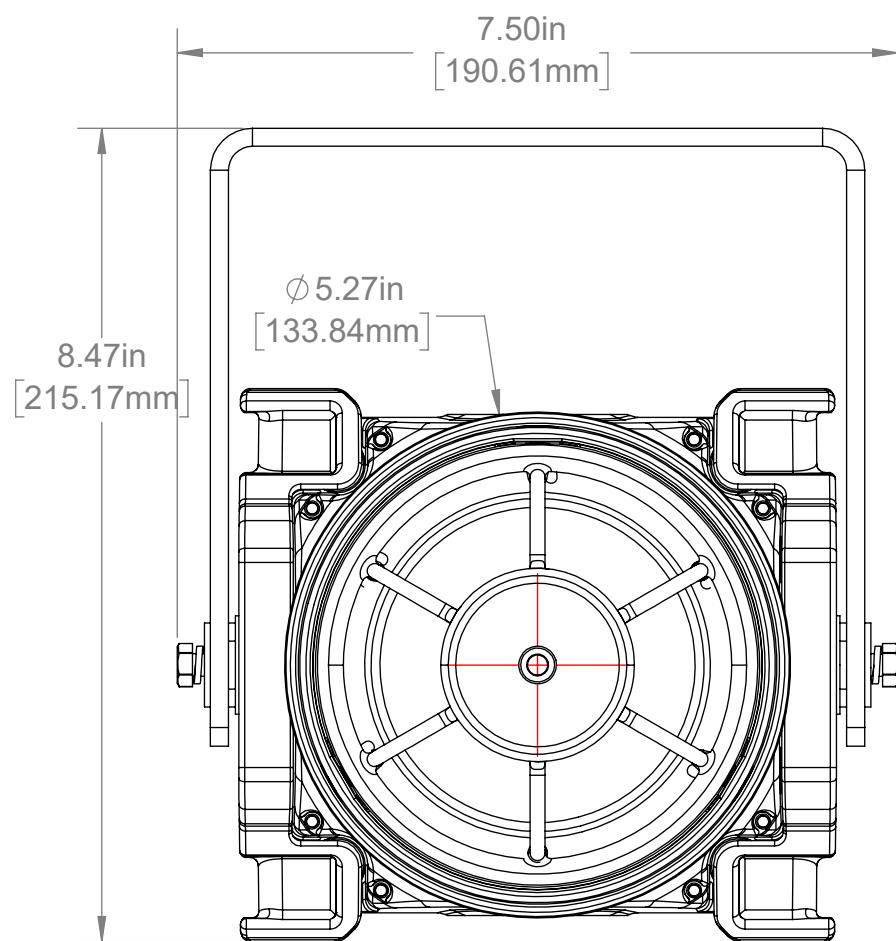
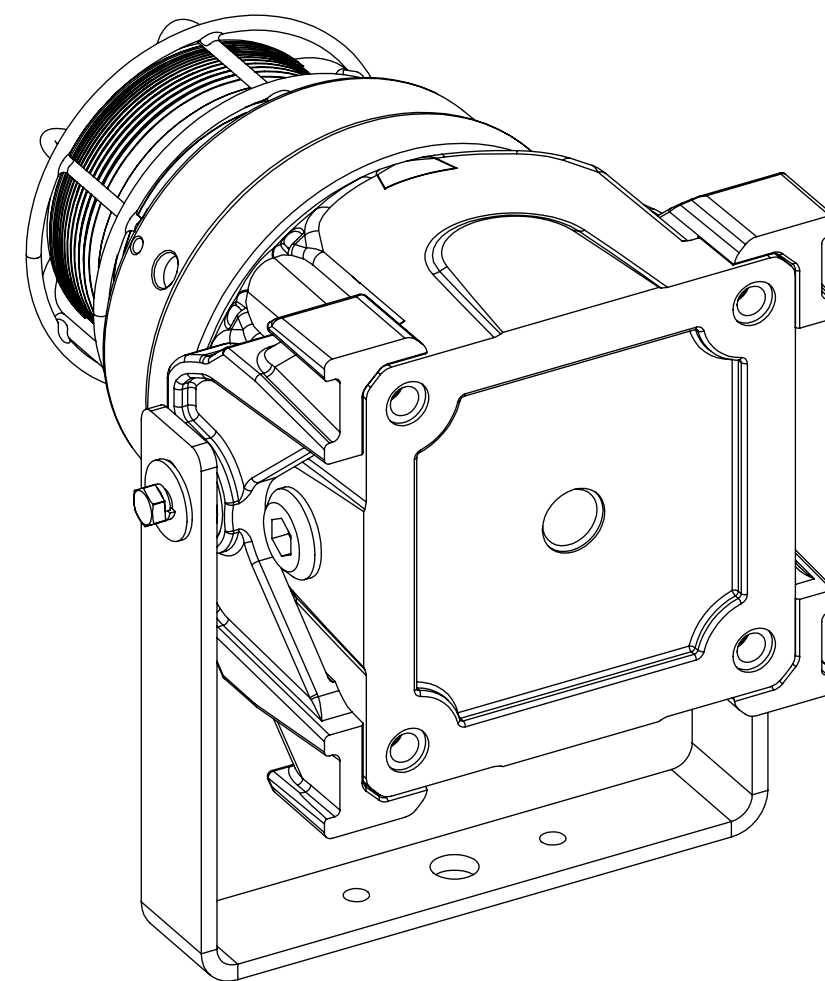
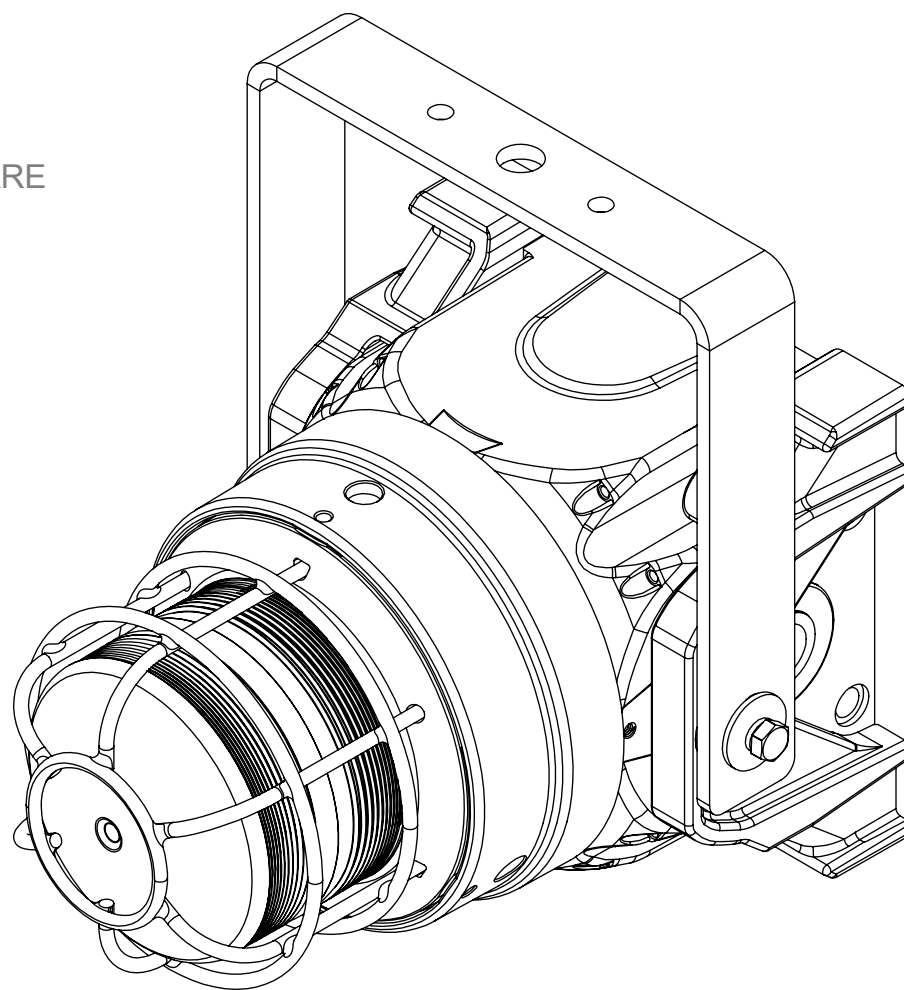
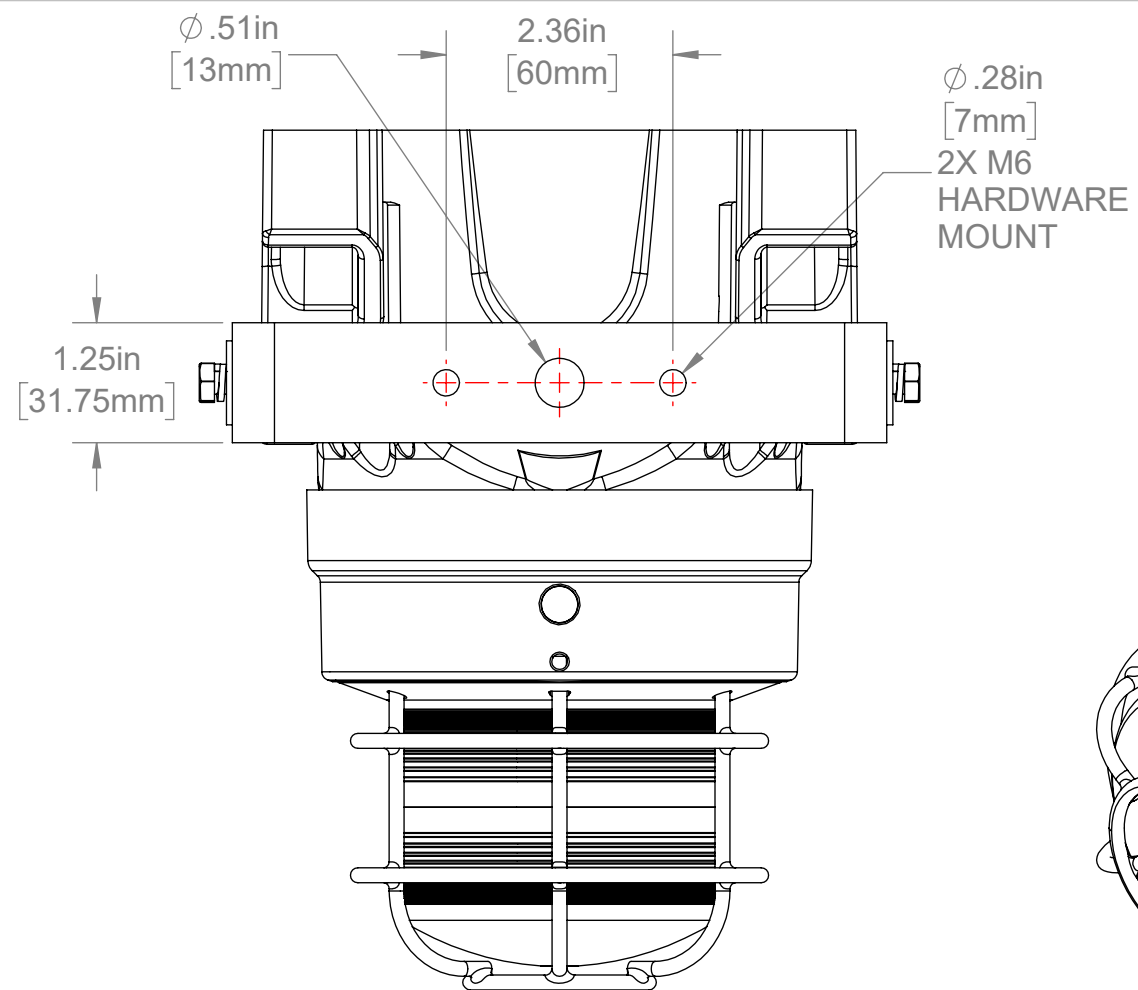
A

D

C

B

A



REF. SHEET 1 OF 3 FOR LED-H EX D  
 REF. SHEET 3 OF 3 FOR LED-H EX D E

|  |  |   |                        |
|--|--|---|------------------------|
| <br>FEDERAL SIGNAL SAFETY & SECURITY GROUP<br>2645 FEDERAL SIGNAL DRIVE<br>UNIVERSITY PARK, IL 60484   | Tolerances (Unless Otherwise Specified):<br>In[mm] Angles-----:0.5°<br>x.xx[x.x]-----:0.015[:0.4]<br>x.xxx[x.xx]-----:0.005[:0.12] | NAME  |                        |
|  |  | REF. DWG: G SERIES LED-H MODULES EX D, EX D W/TRUNNION, EX DE |                        |
| MATERIAL DESCRIBED AND INFORMATION CONVEYED IS PROPRIETARY TO FEDERAL SIGNAL CORPORATION, IS OR MAY BE THE SUBJECT OF PATENT APPLICATIONS, AND MAY NOT BE COPIED, DIVULGED TO OTHERS, OR USED FOR MANUFACTURING WITHOUT CONSENT. |  | FINISH  | SCALE AT C SIZE:       |
| PER NOTES  |  | REMOVE BURRS, SHARP CORNERS AND EDGES                         | 1/2                    |
| MATERIAL   |  | PER NOTES   | THIRD ANGLE PROJECTION |
| - SEE SHEET #1 -   |  | DATE: 02/07/20  | UNIT OF MEASURE: PC    |
| REV.   | CHANGE   | DATE  | BY                     |
|  |  | 02/07/20  | MFP                    |
| DRAWN BY: MFP  |  | CHKD. BY: MFP   | DRAWING NUMBER         |
| DATE: 02/07/20   |  | DATE: 02/07/20  | 850000992A             |

SHEET: 2 OF 3  
 UNITS: INCHES

D

C

B

A

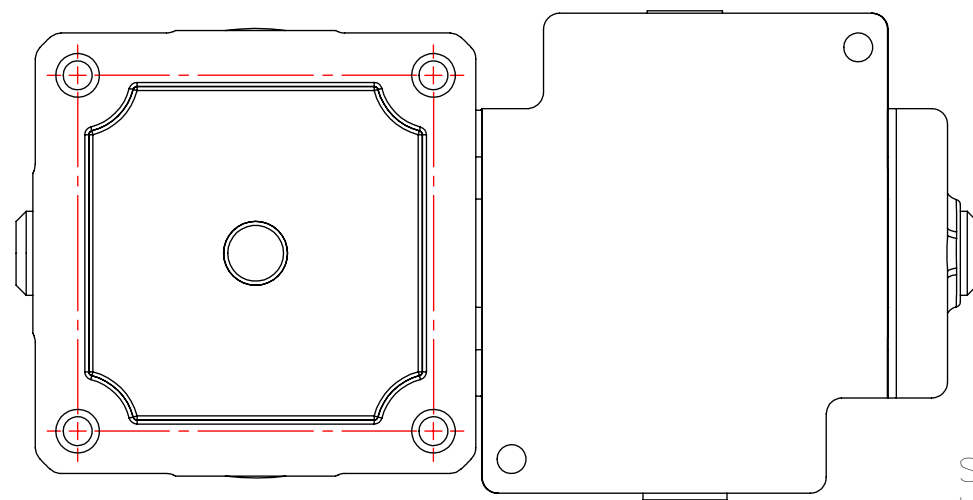
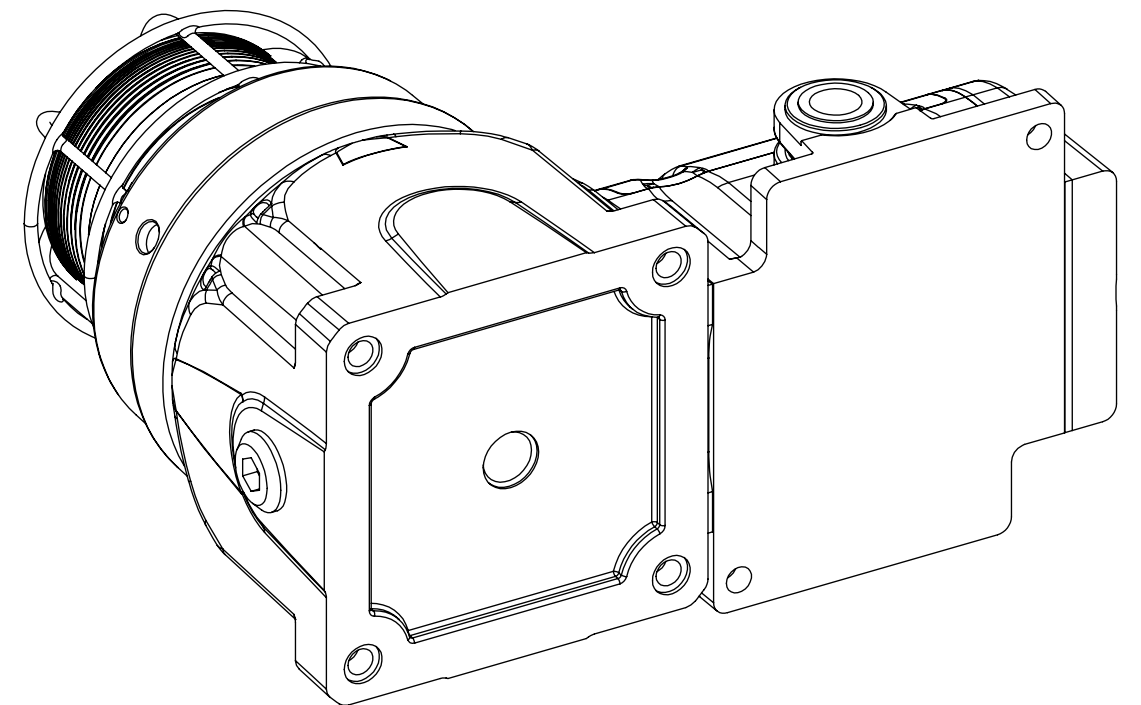
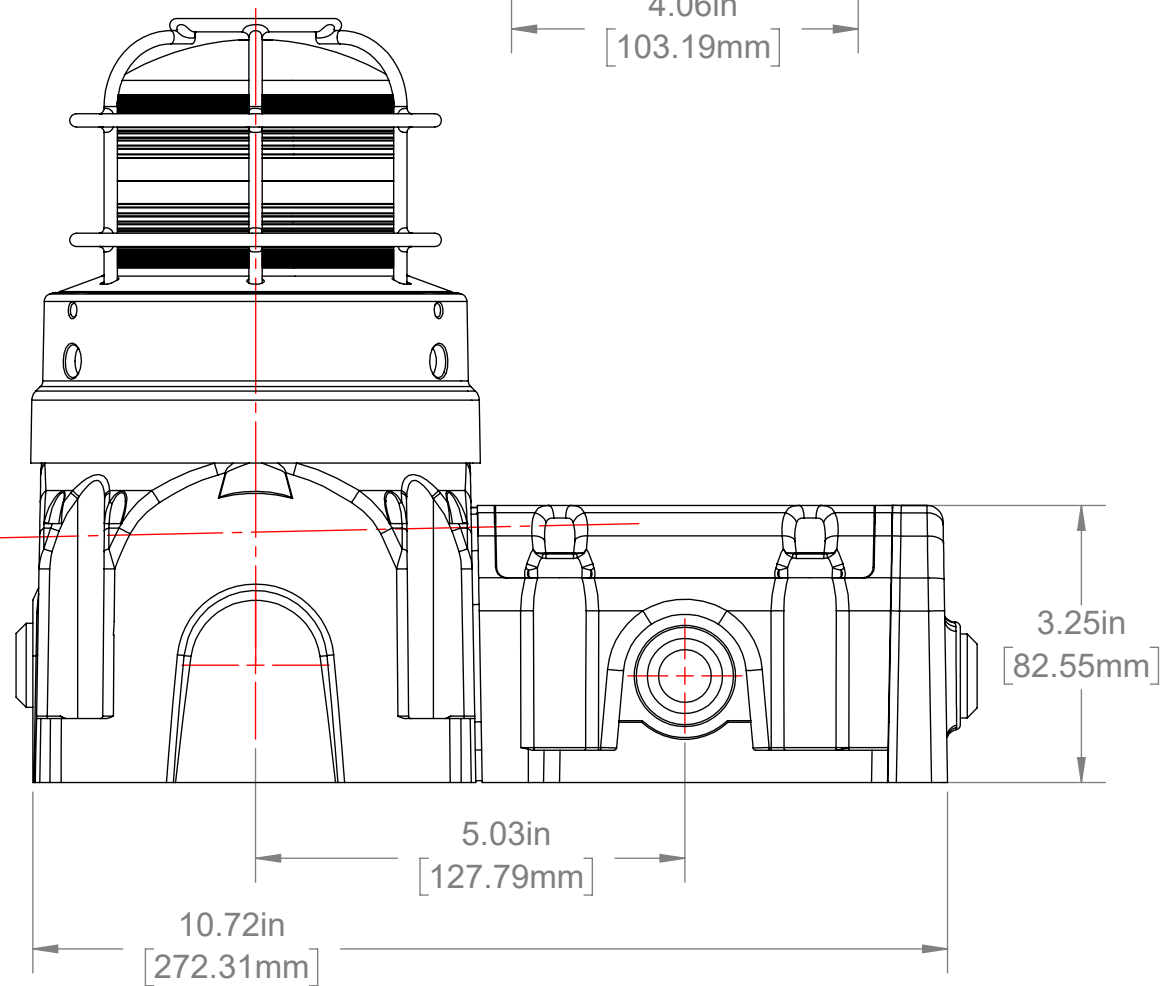
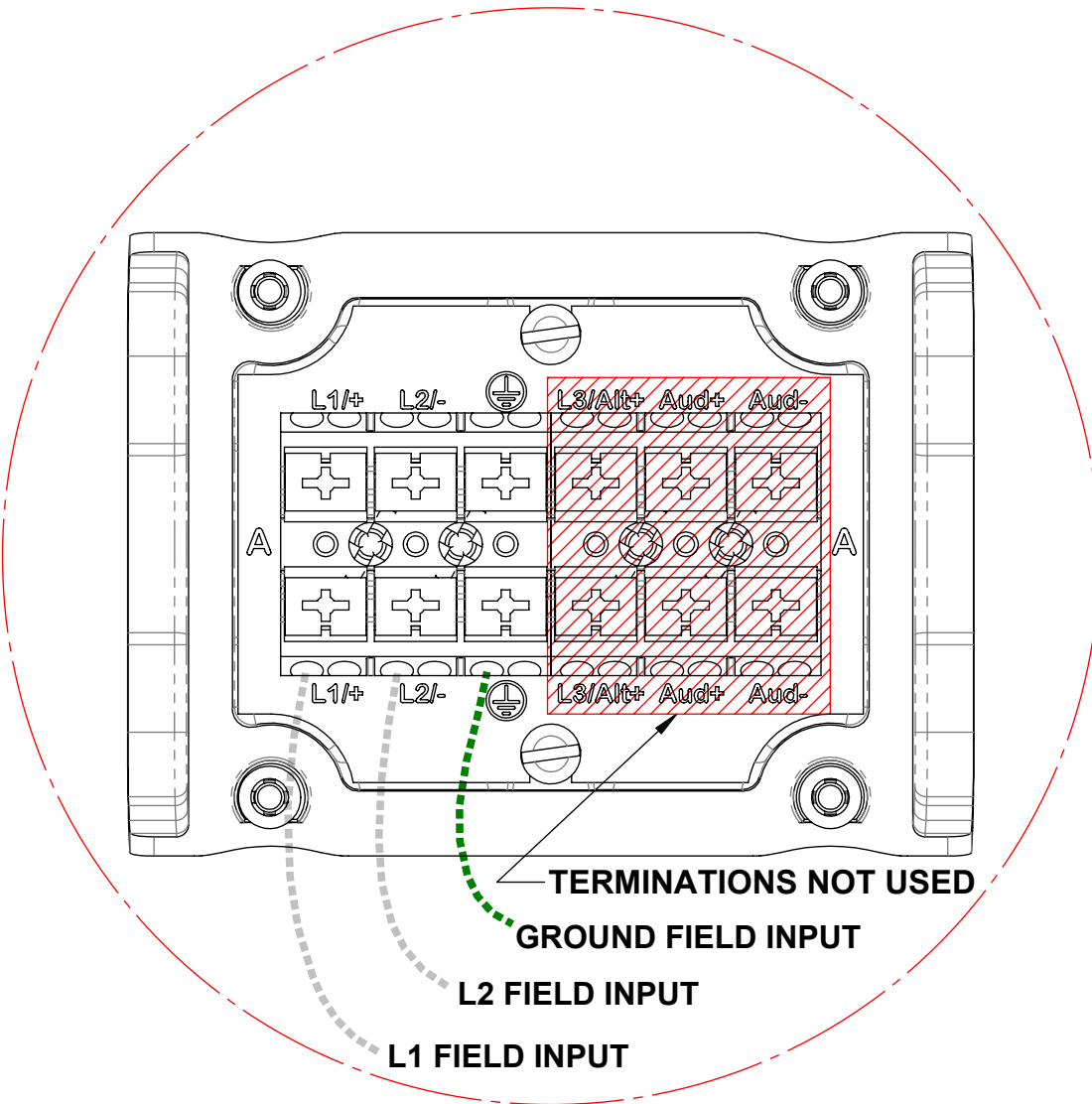
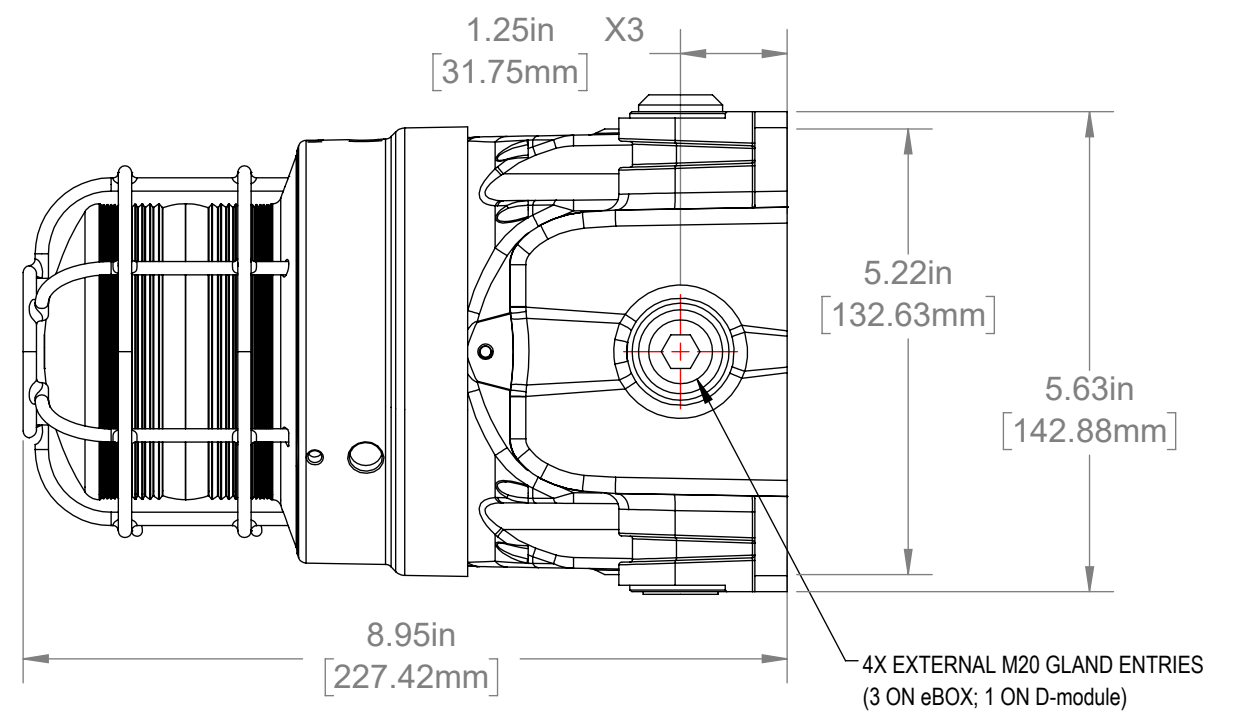
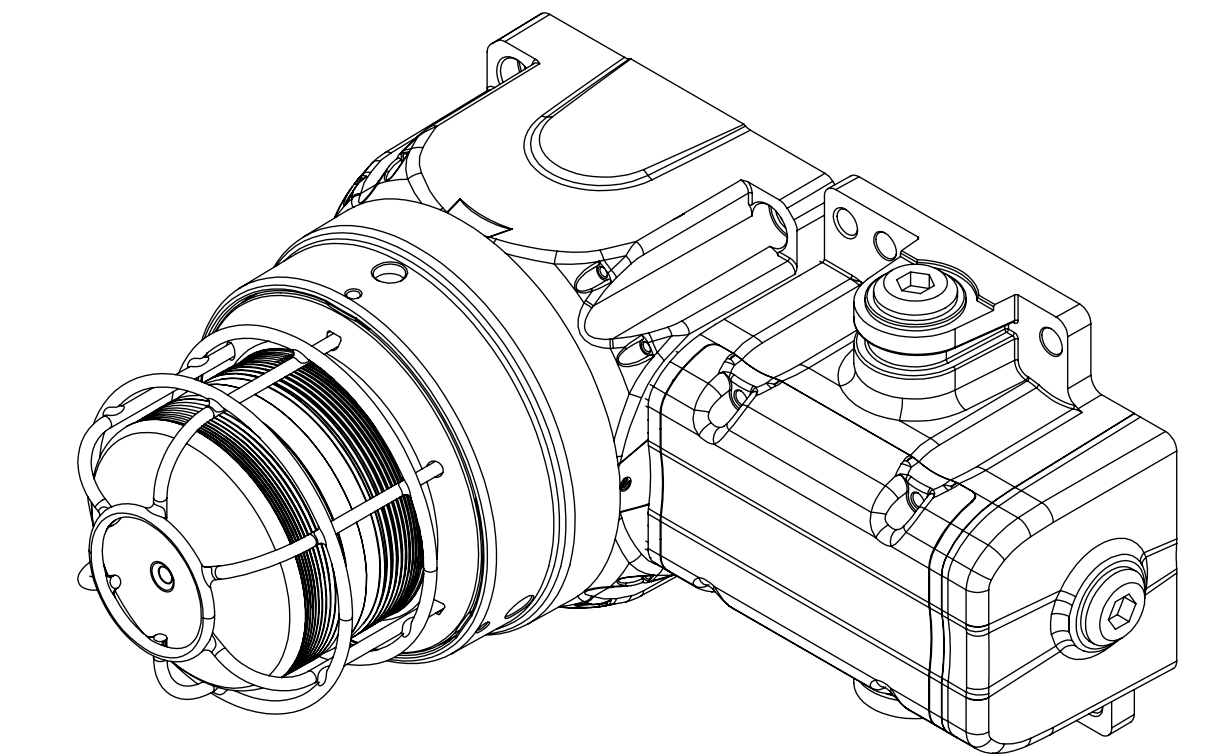
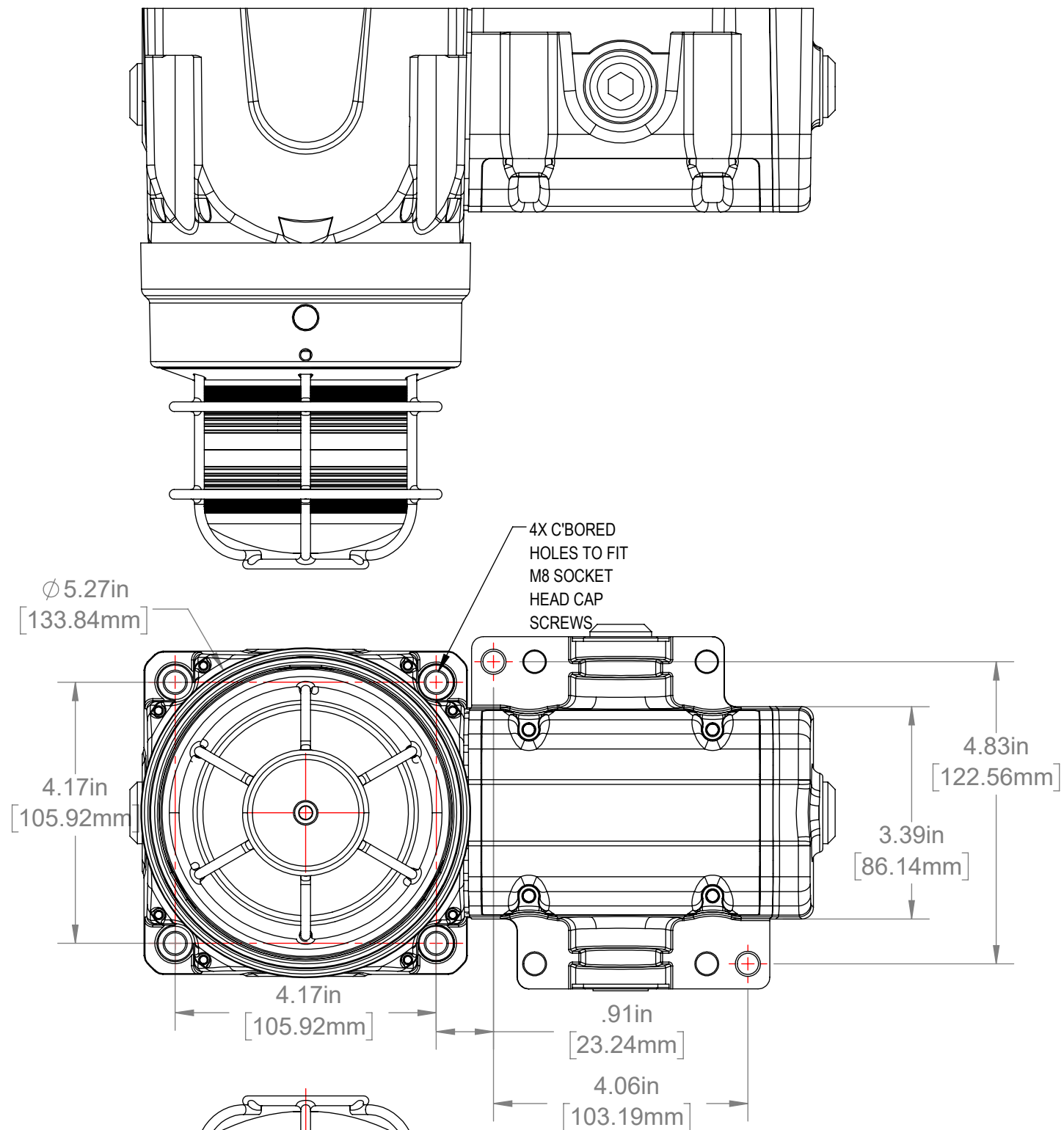
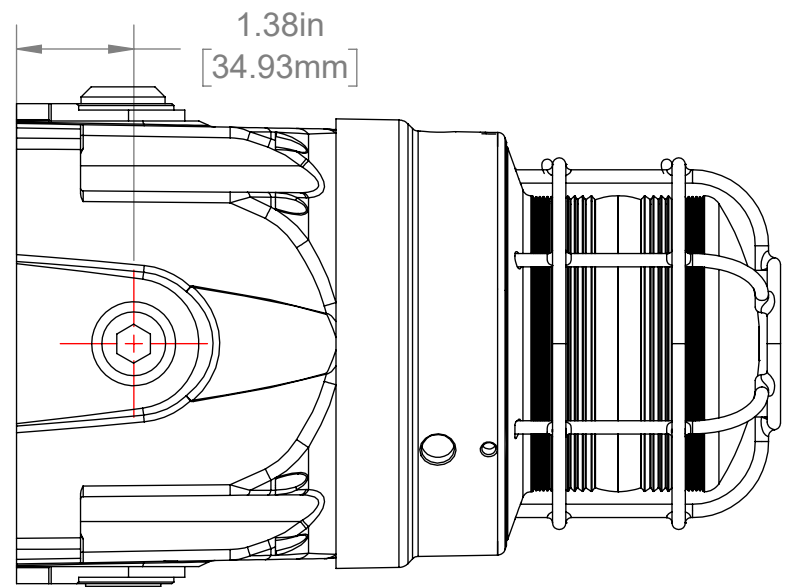


D

C

B

A



REF. SHEET 1 OF 3 FOR LED-H EX D  
REF. SHEET 2 OF 3 FOR LED-H EX D W/TRUNNION

SHEET: 3 OF 3  
UNITS: INCHES

|  |      |   |  |
|--|------|---|--|
| <b>FEDERAL SIGNAL</b><br>SAFETY & SECURITY GROUP<br>2645 FEDERAL SIGNAL DRIVE<br>UNIVERSITY PARK, IL 60484 |      | Tolerances (Unless Otherwise Specified):<br>All [mm] Angles: --- ±0.5°<br>x.xx[x.xx] --- ±0.015[±0.4]<br>x.xxx[x.xxx] --- ±0.005[±0.12] | NAME<br><b>REF. DWG: G SERIES LED-H MODULES EX D, EX D W/TRUNNION, EX DE</b> |
| FINISH<br>PER NOTES<br>REMOVE BURRS, SHARP CORNERS AND EDGES   |      | SCALE AT C SIZE:<br><b>1/2</b><br>THIRD ANGLE PROJECTION  |  |
| MATERIAL<br>PER NOTES  |      | UNIT OF MEASURE<br><b>PC</b>  |  |
| - SEE SHEET #1 -   |      | 02/07/20  | MFP  |
| REV. CHANGE  | DATE | BY  | DRAWN BY: MFP<br>DATE: 02/07/20  |
| CHECKED BY: MFP<br>DATE: 02/07/20  |      | DRAWING NUMBER<br><b>850000634A</b>   |  |

D

C

B

A