

D

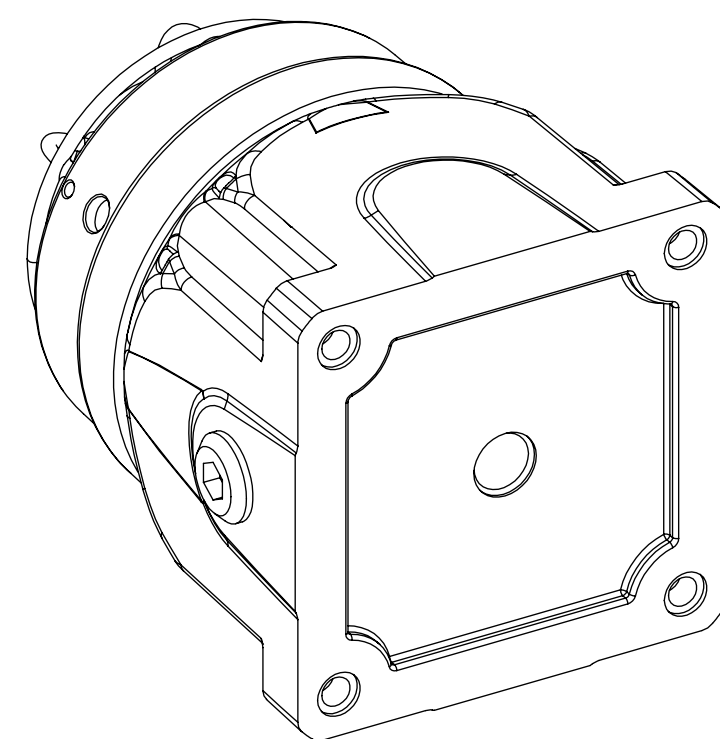
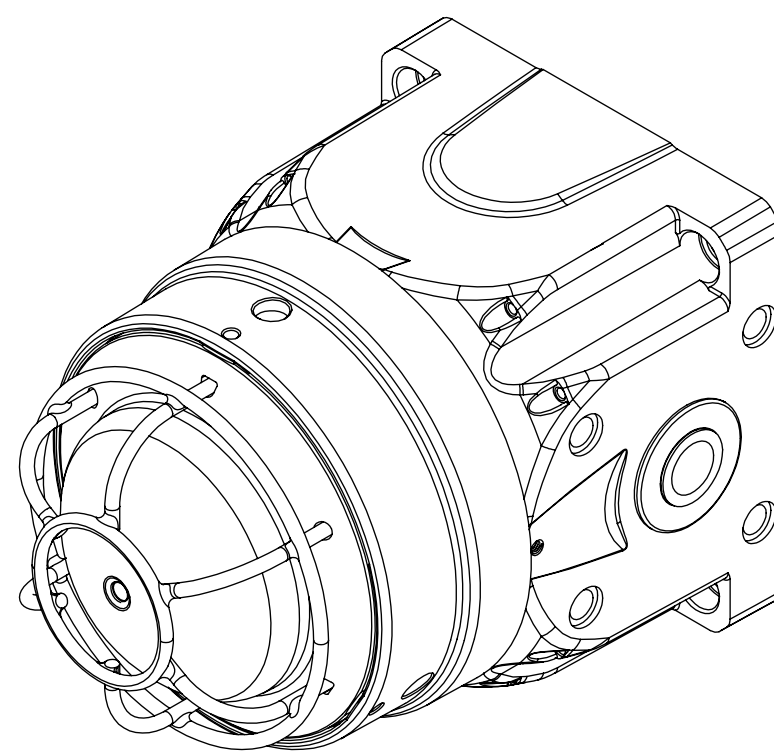
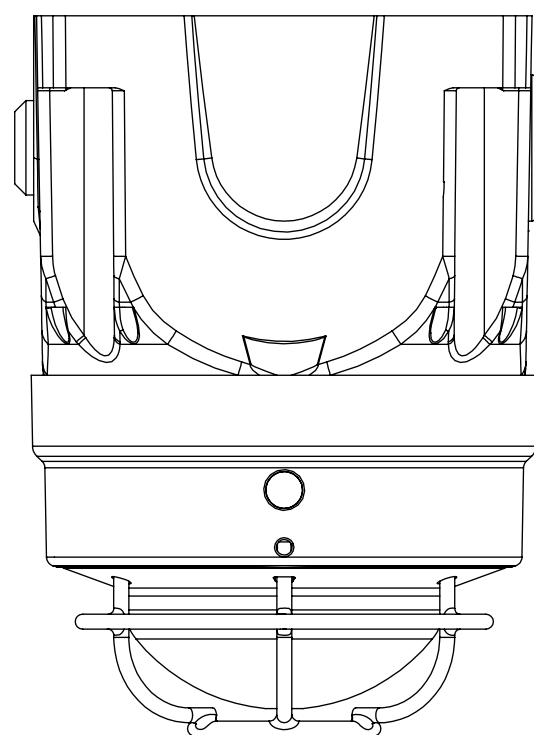
C

B

A

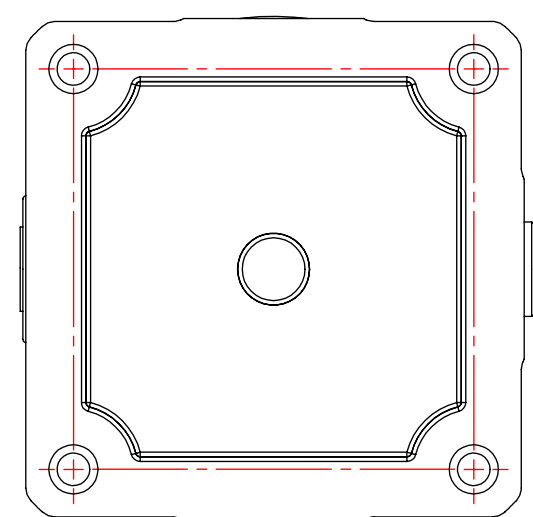
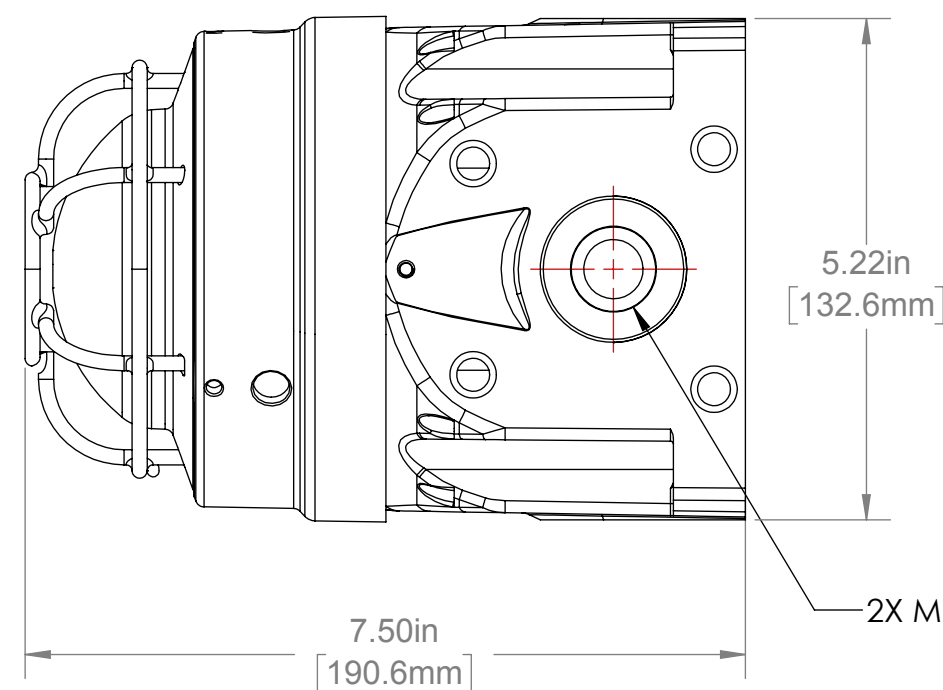
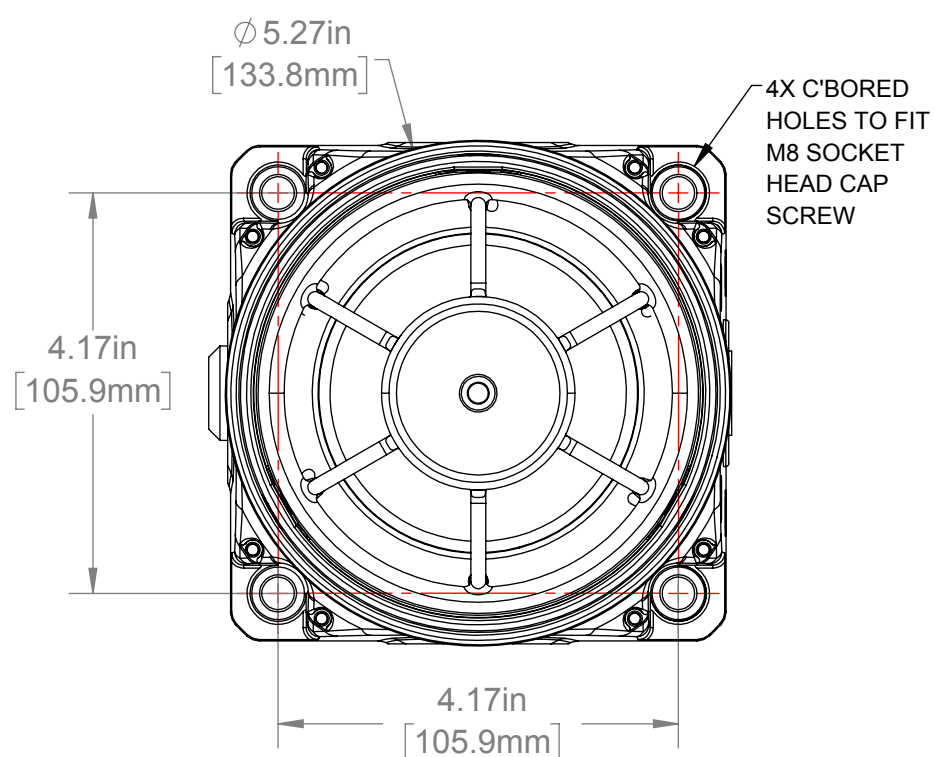
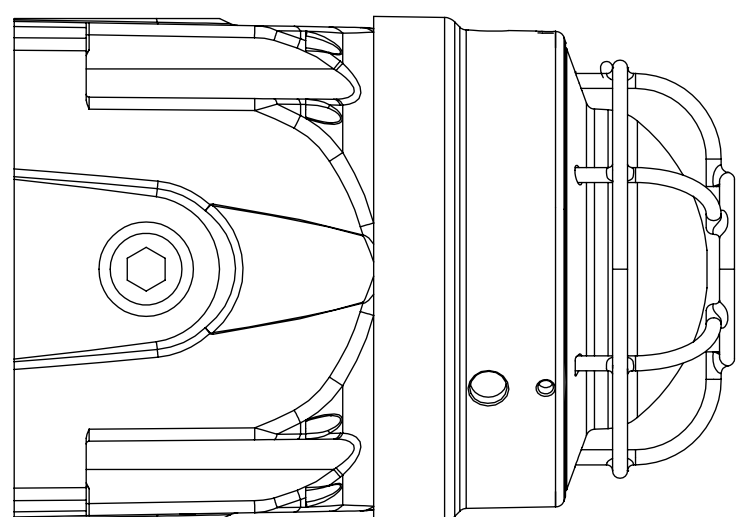
4

4



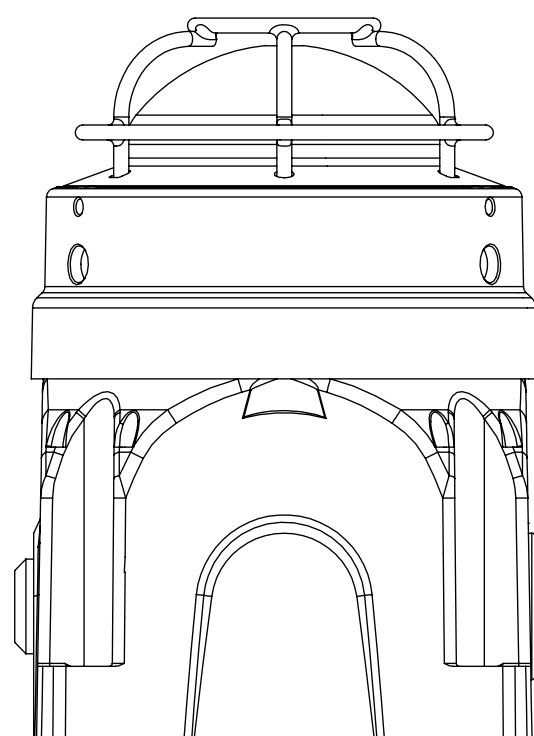
3

3



2

2



1

1

REF. SHEET 2 OF 3 FOR LED EX D W/TRUNNION
REF. SHEET 3 OF 3 FOR LED EX D E

SHEET: 1 OF 3
UNITS: INCHES

FEDERAL SIGNAL 2645 FEDERAL SIGNAL DRIVE UNIVERSITY PARK, IL 60484	SAFETY & SECURITY GROUP	Tolerances (Unless Otherwise Specified): In[mm] ----- ±0.5* Angles ----- ±0.15[±0.4] x.xx[x.xx] ----- ±0.015[±0.4] x.xxx[x.xx] ----- ±0.005[±0.12]		NAME REF DWG: G SERIES LED MODULES EX D, EXD W/TRUNNION, EX DE	
		MATERIAL PER NOTES		SCALE AT C SIZE: 1/2	
FINISH PER NOTES		REMOVE BURRS, SHARP CORNERS AND EDGES		THIRD ANGLE PROJECTION	
REV. A0 INITIAL RELEASE		DATE 09/08/17		BY MFP	
CHANGE		DATE		BY	
DRAWN BY: MFP		CHKD. BY: MFP		DRAWING NUMBER 850000633A	
DATE: 09/08/17		DATE: 09/08/17		UNIT OF MEASURE PC	

D

C

B

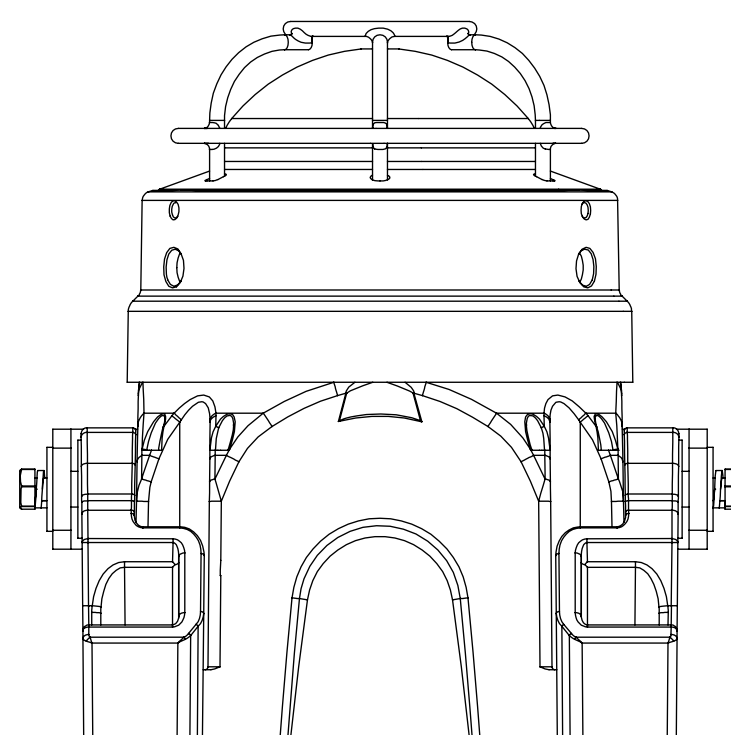
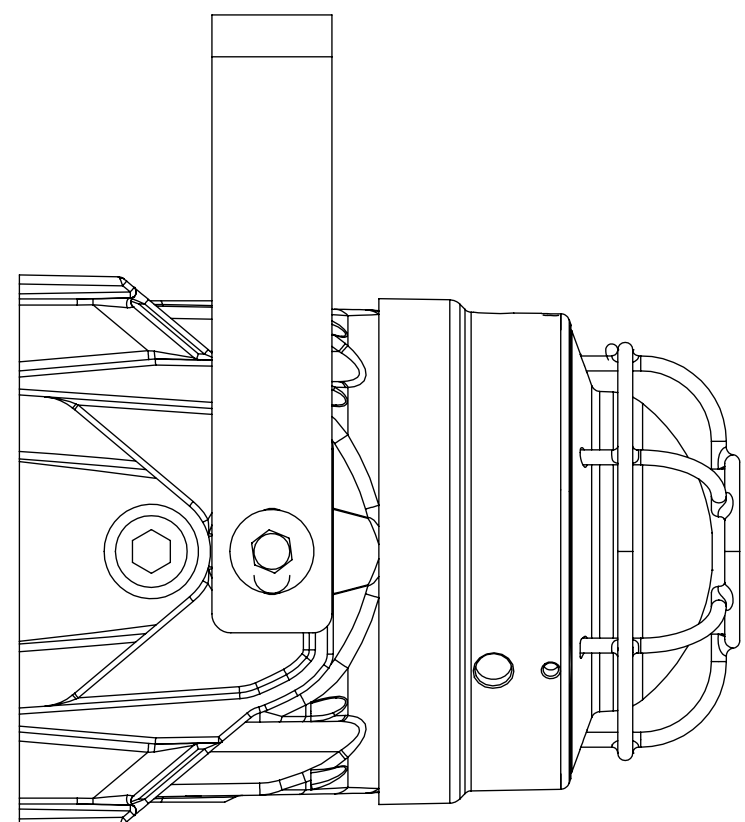
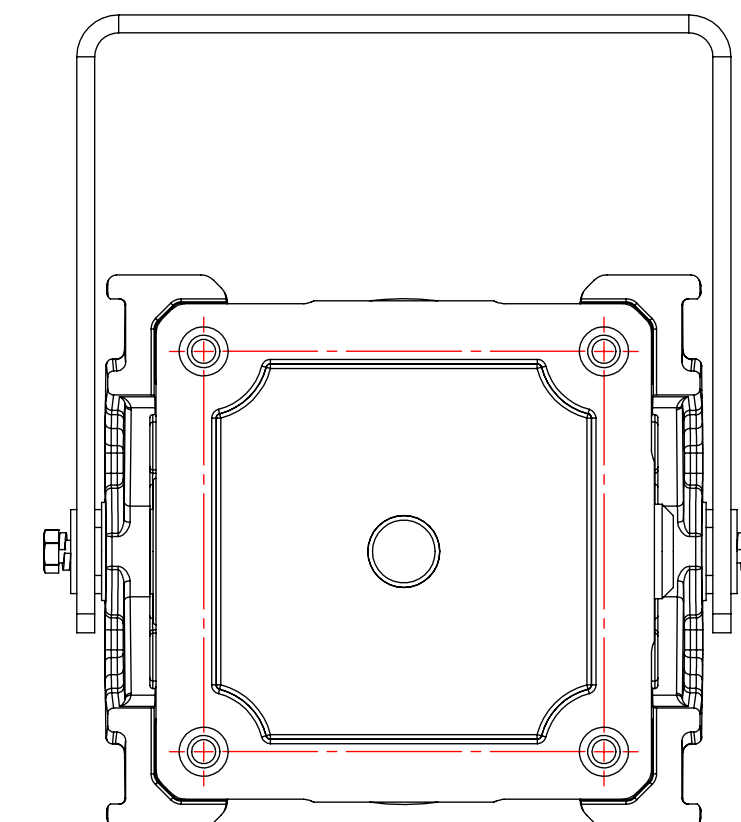
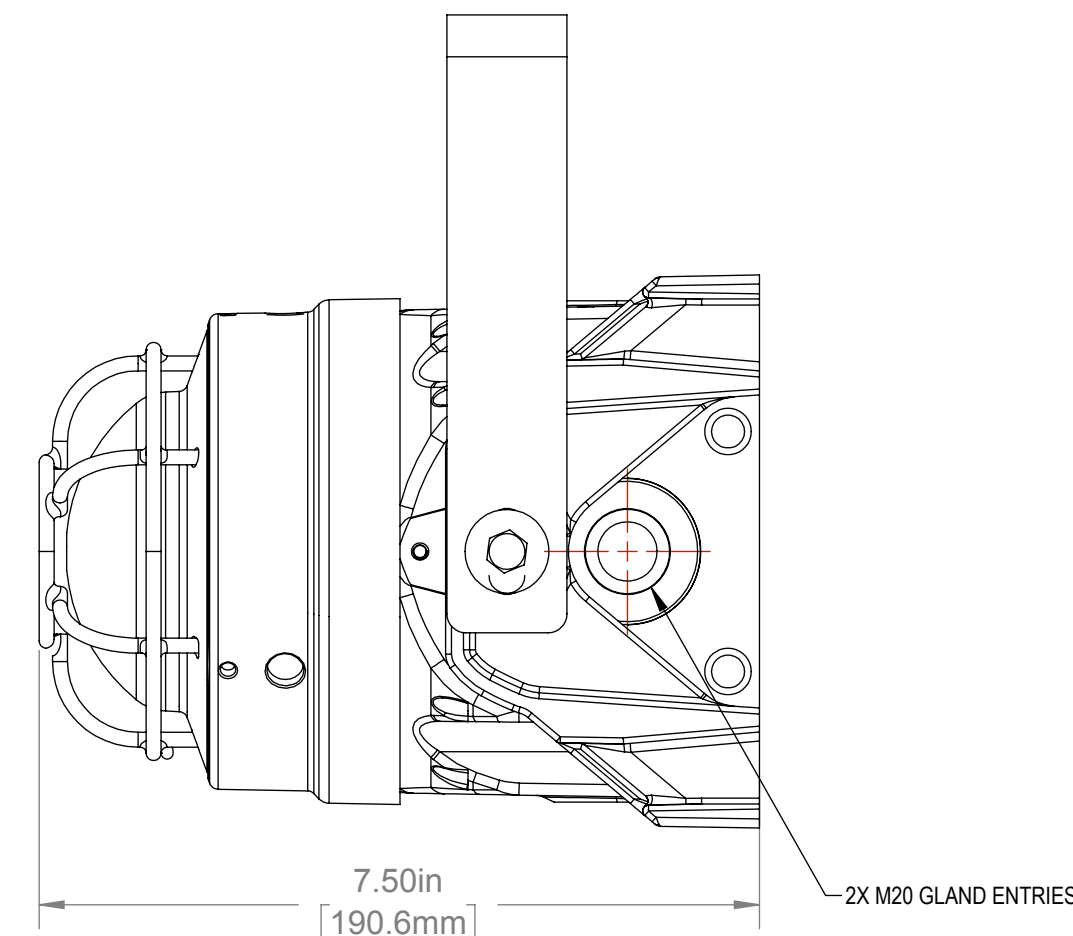
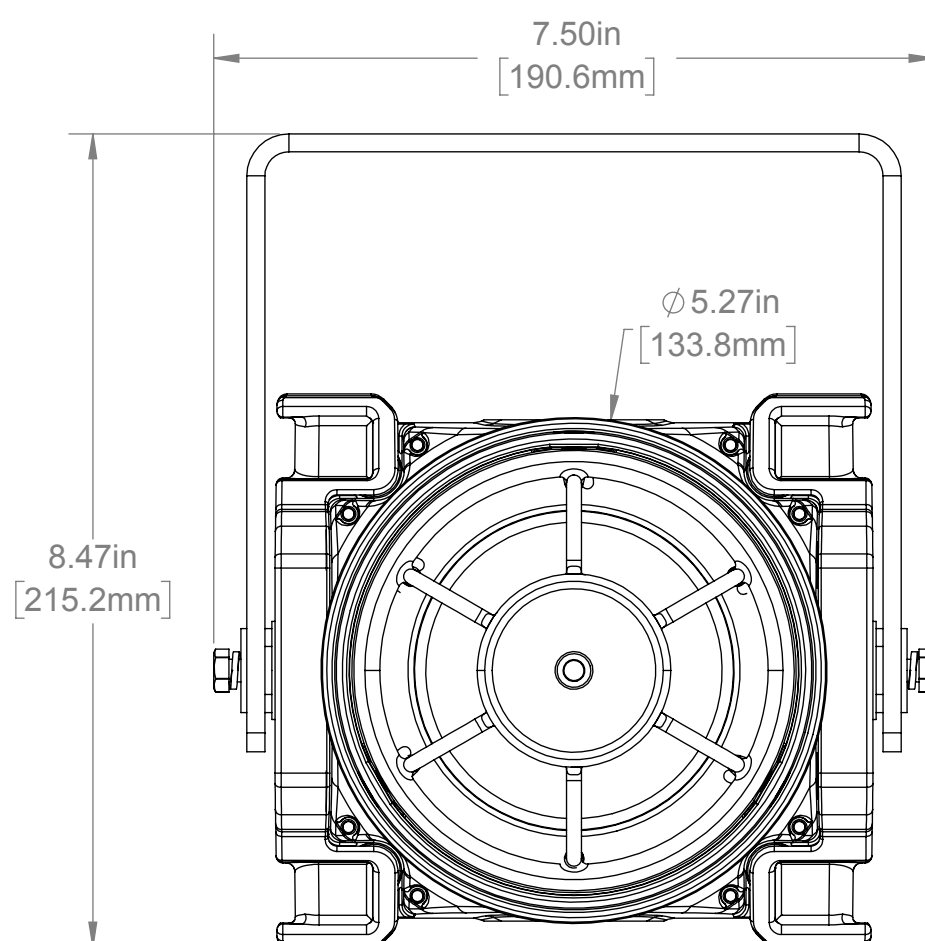
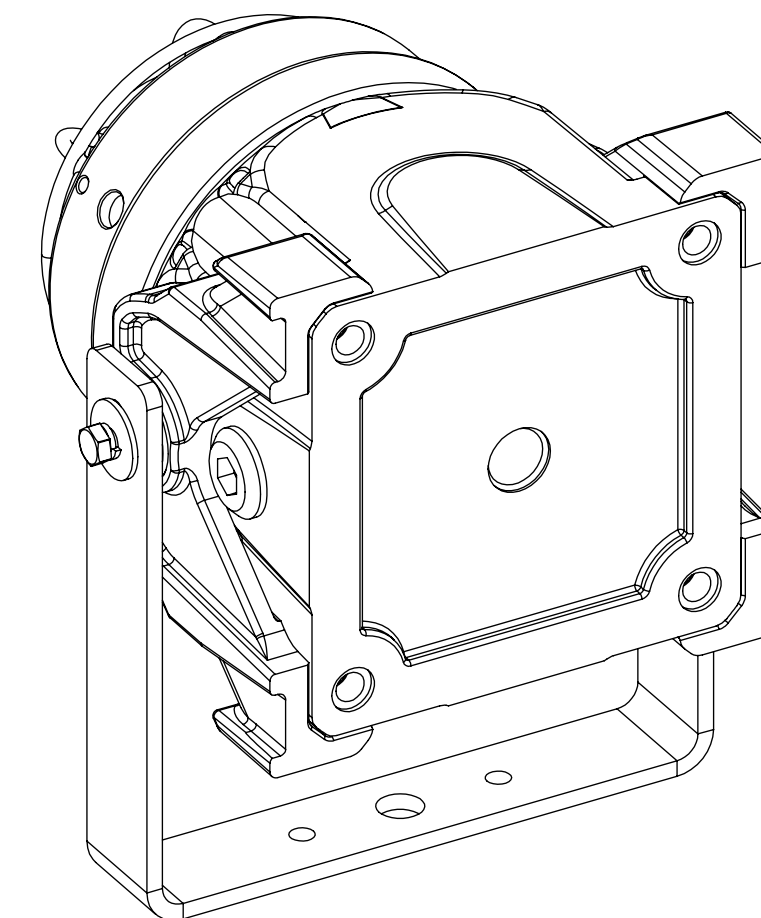
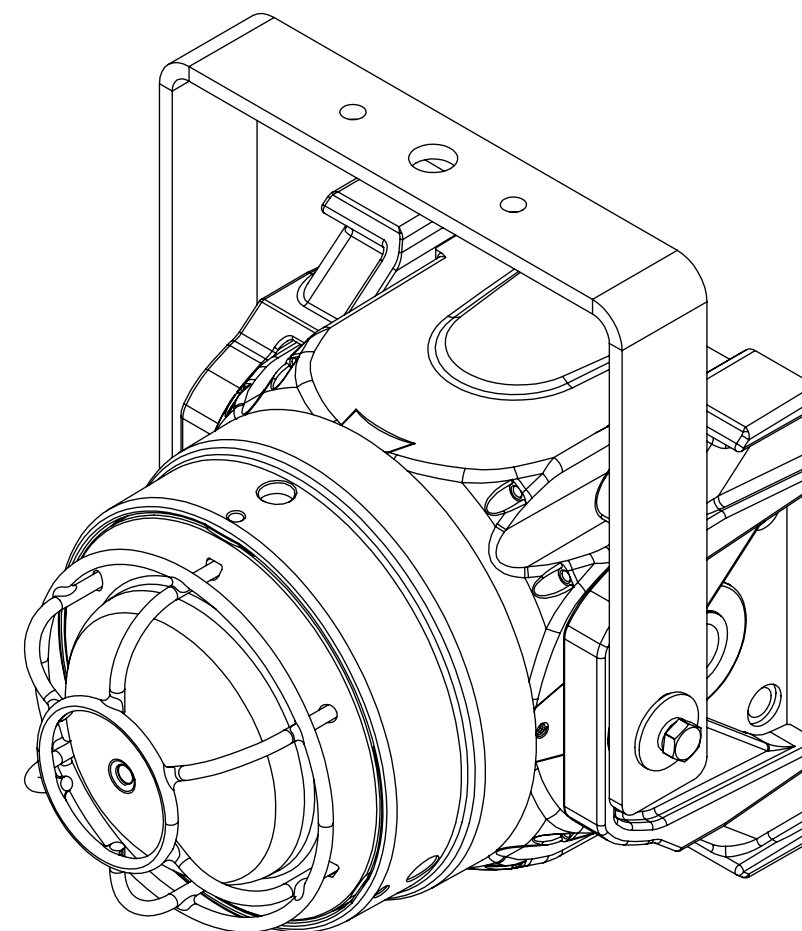
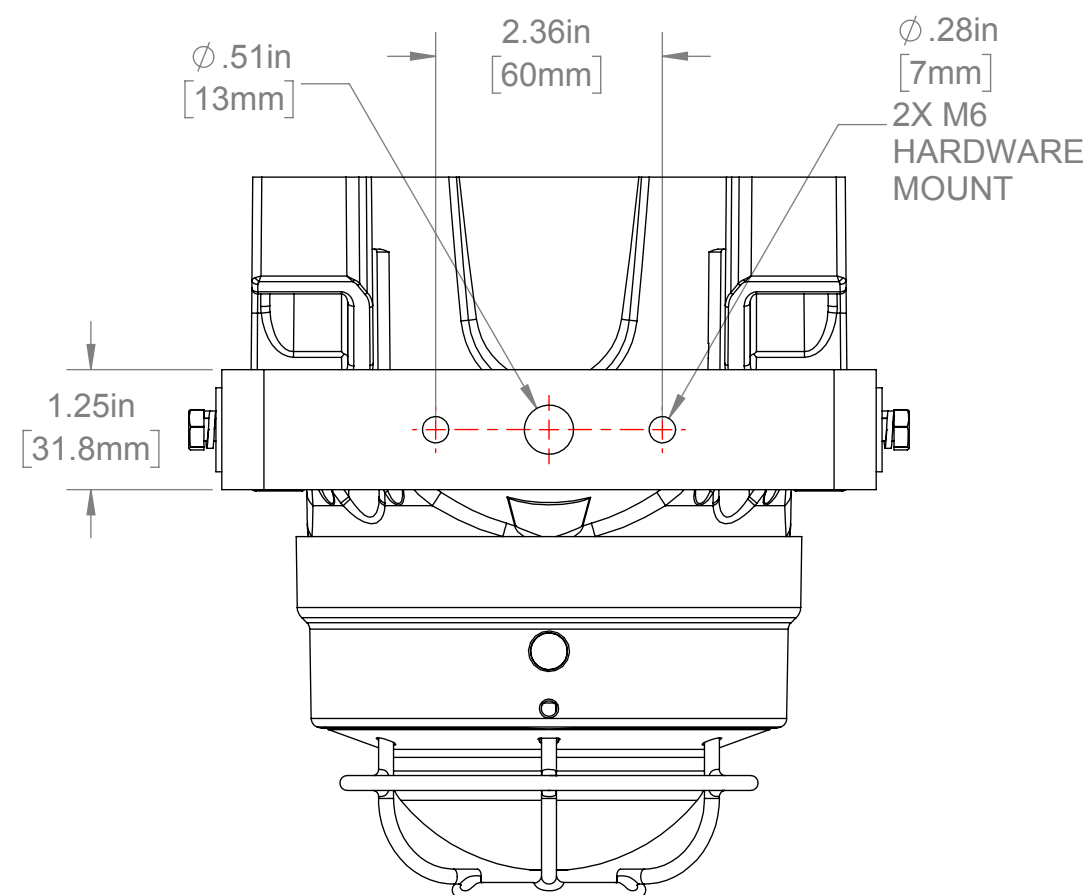
A

D

C

B

A



REF. SHEET 1 OF 3 FOR LED EX D
REF. SHEET 3 OF 3 FOR LED EX D E

SHEET: 2 OF 3
UNITS: INCHES

 2645 FEDERAL SIGNAL DRIVE UNIVERSITY PARK, IL 60484		Tolerances (Unless Otherwise Specified): In[mm]-----:0.5* Angles-----:0.15[0.4] x.xx[x.xx]----:0.015[0.4] x.xxx[x.xx]---:0.005[0.12]	NAME REF DWG: G SERIES LED MODULES EX D, EXD W/TRUNNION, EX DE
MATERIAL PER NOTES		FINISH PER NOTES	SCALE AT C SIZE: 1/2
REMOVE BURRS, SHARP CORNERS AND EDGES		THIRD ANGLE PROJECTION	
MATERIAL PER NOTES		UNIT OF MEASURE PC	
- SEE SHEET #1 -		DRAWN BY: MFP DATE: 09/07/17	CHKD. BY: MFP DATE: 09/07/17
REV.	CHANGE	DATE	BY
		DRAWING NUMBER 850000633A	

D

C

B

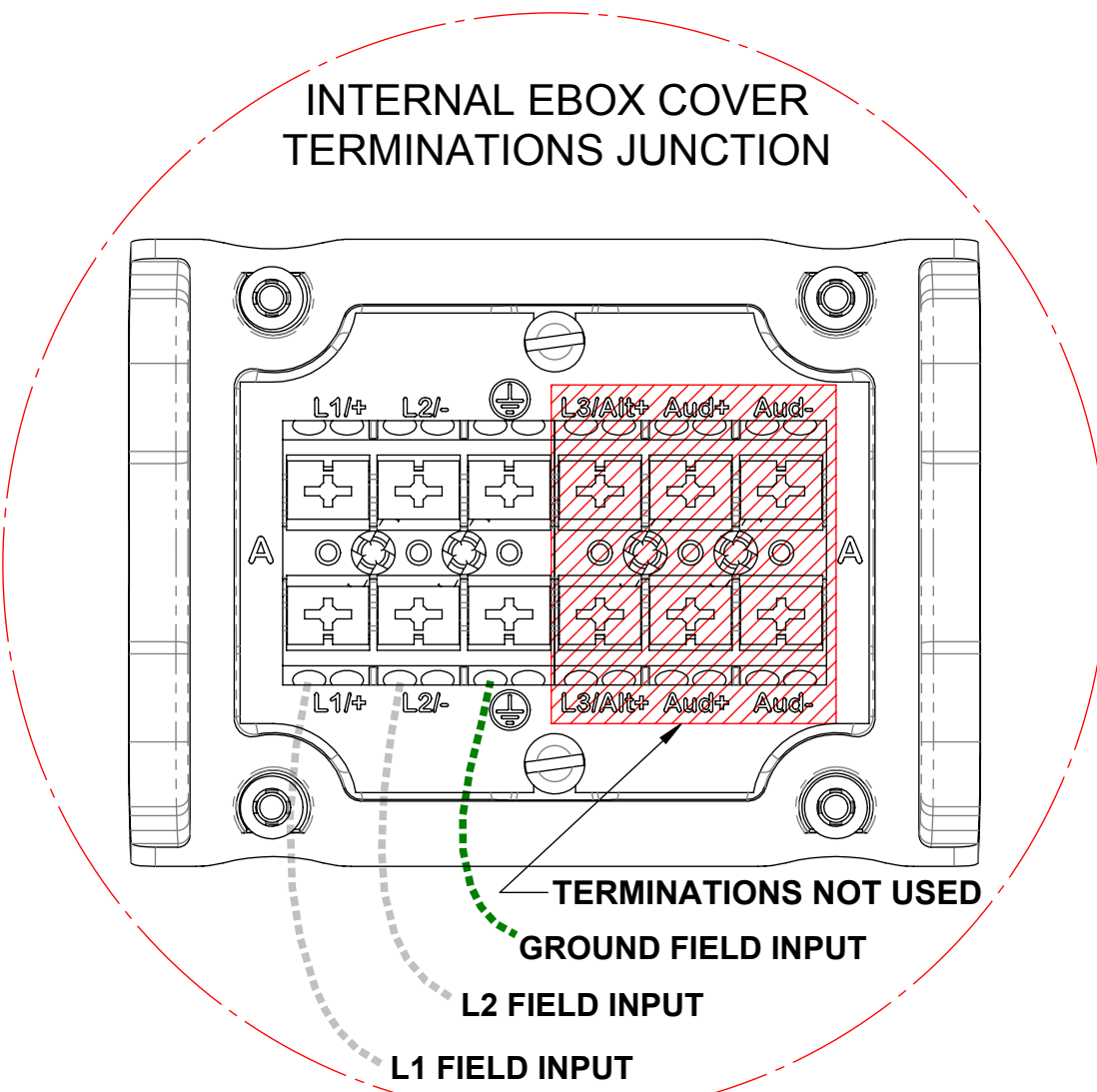
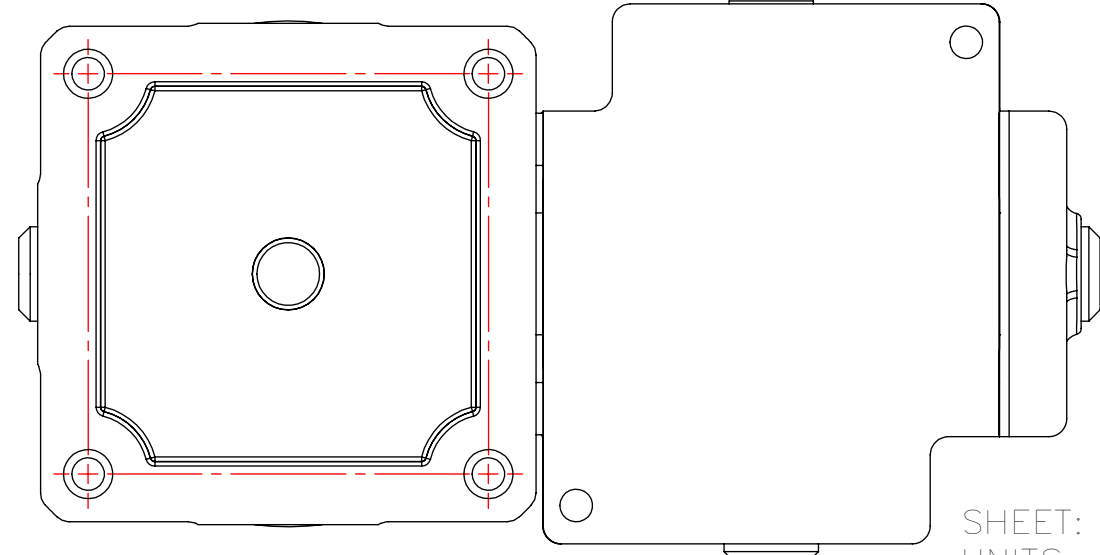
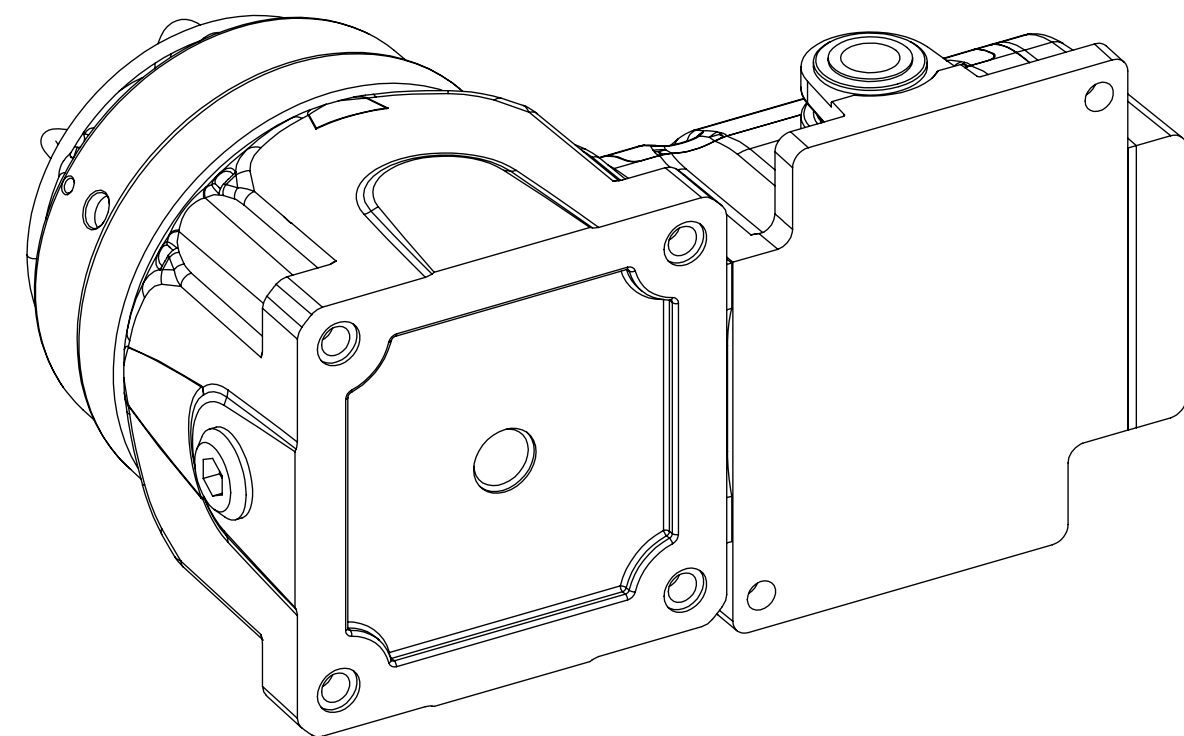
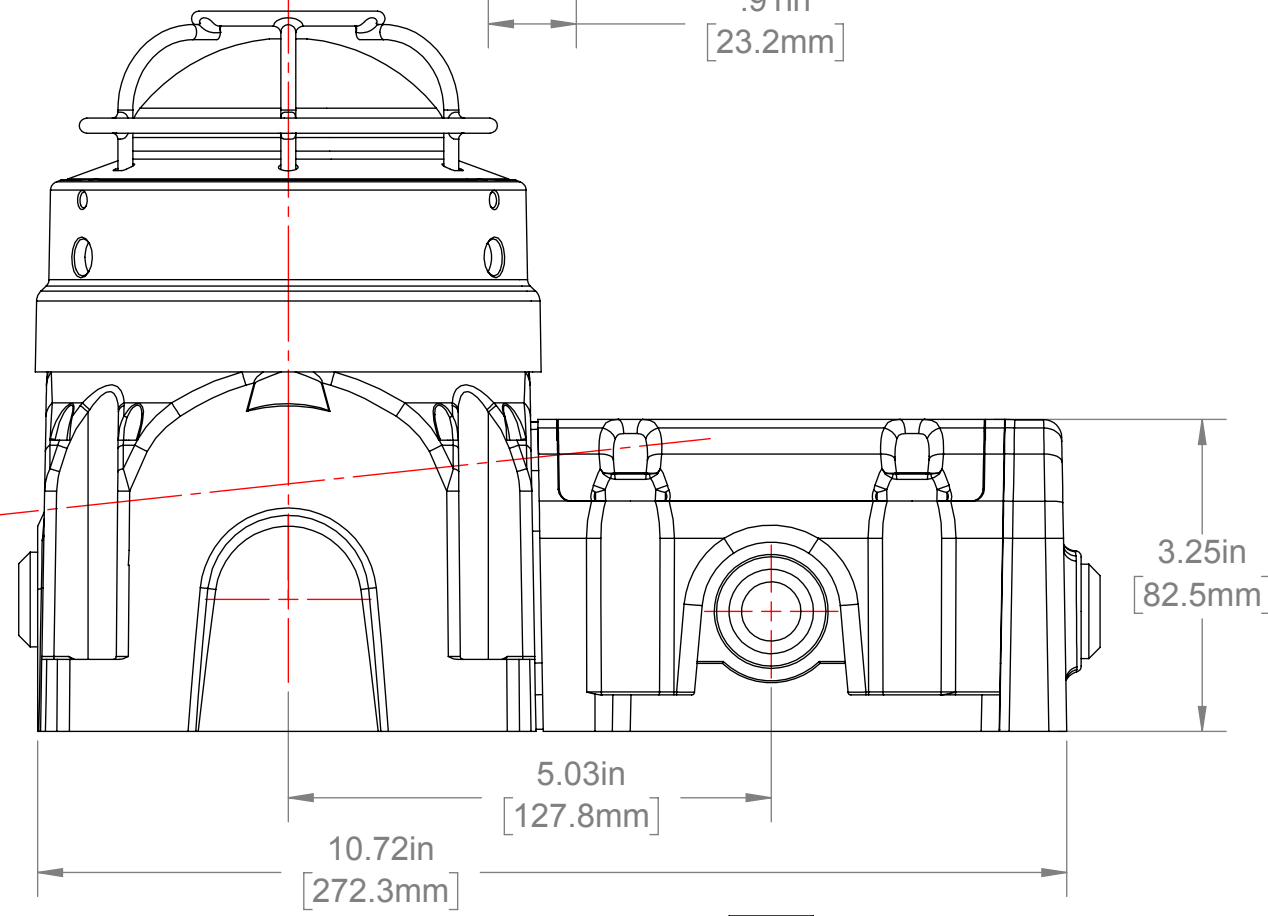
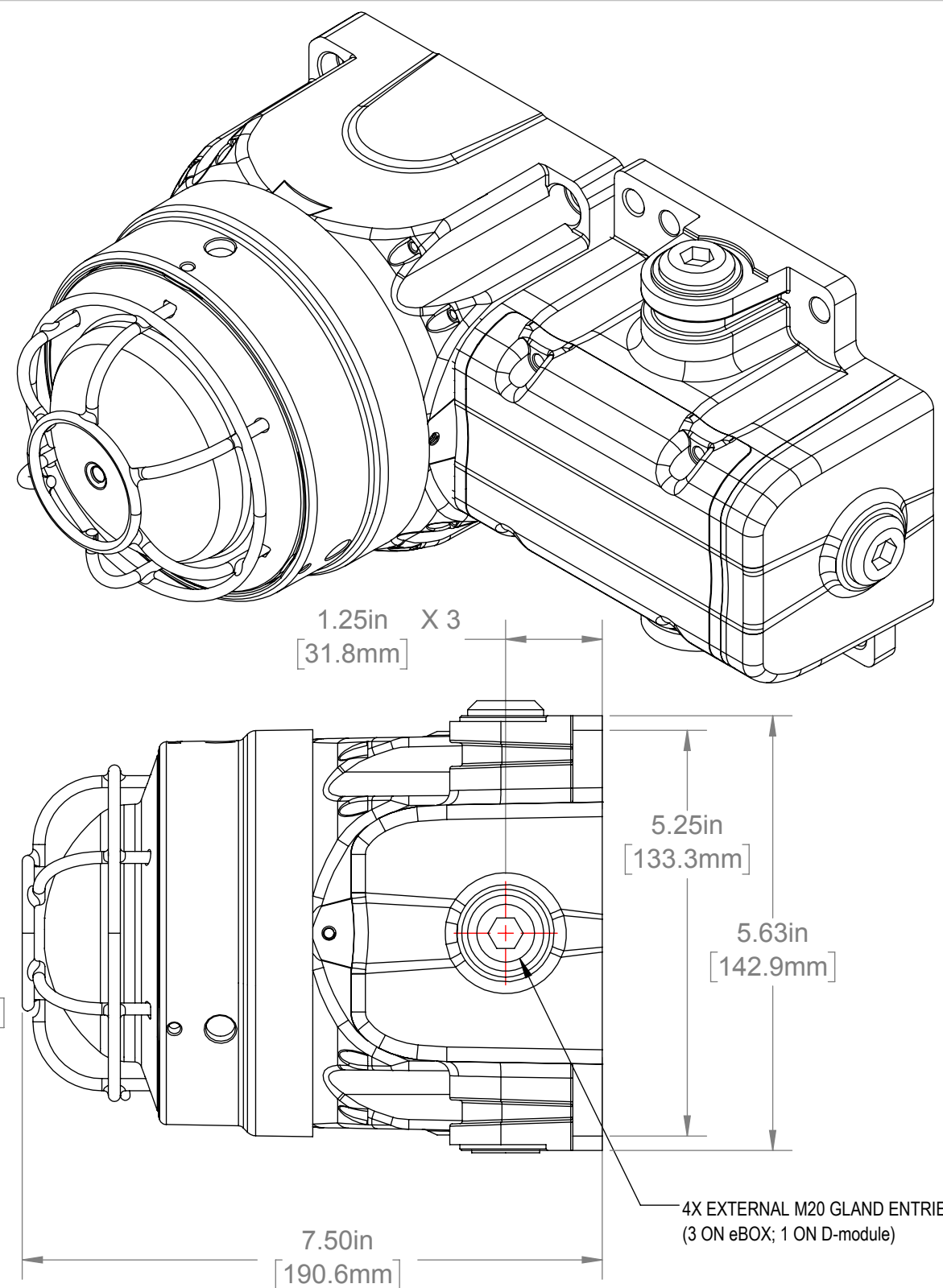
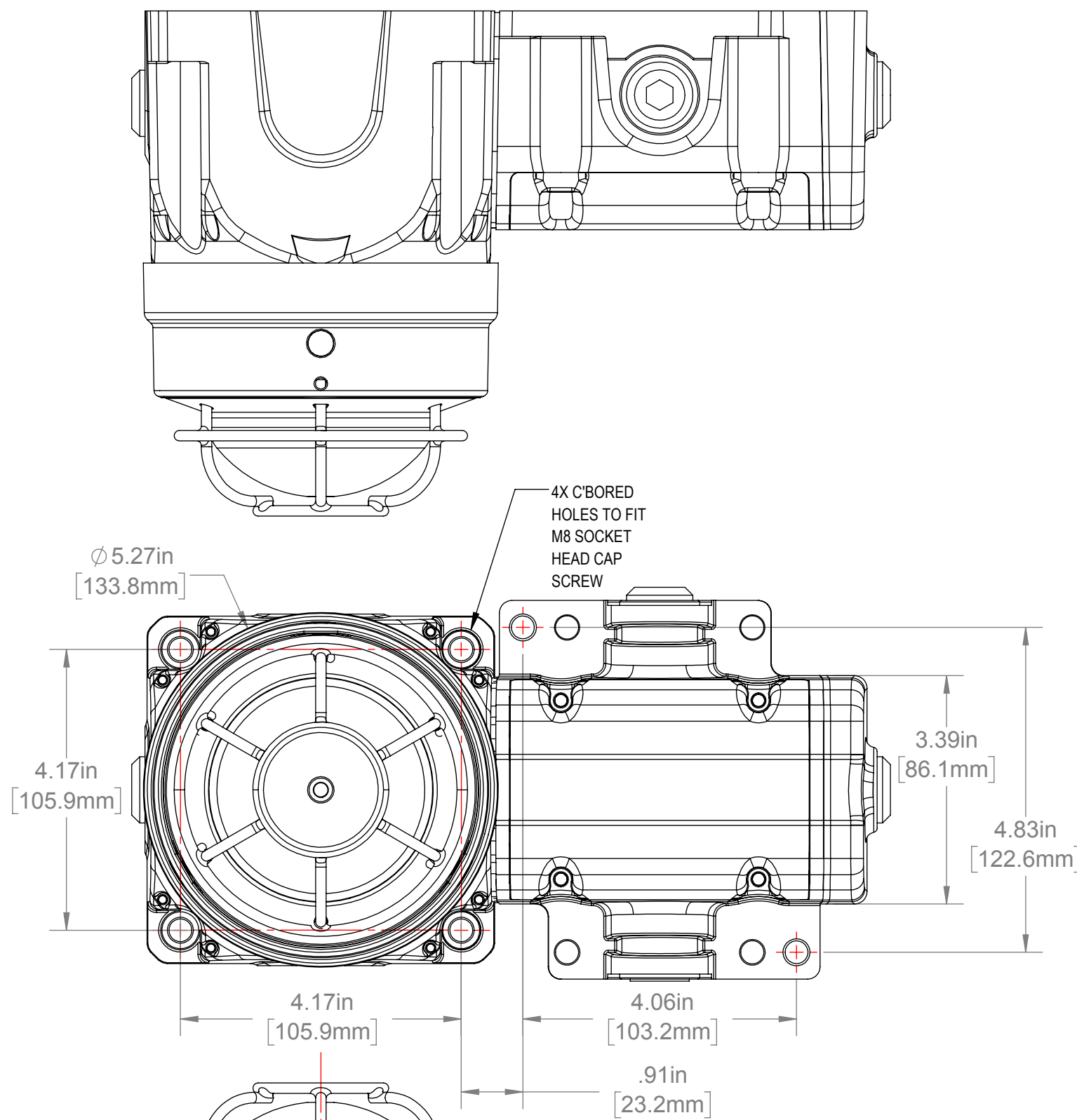
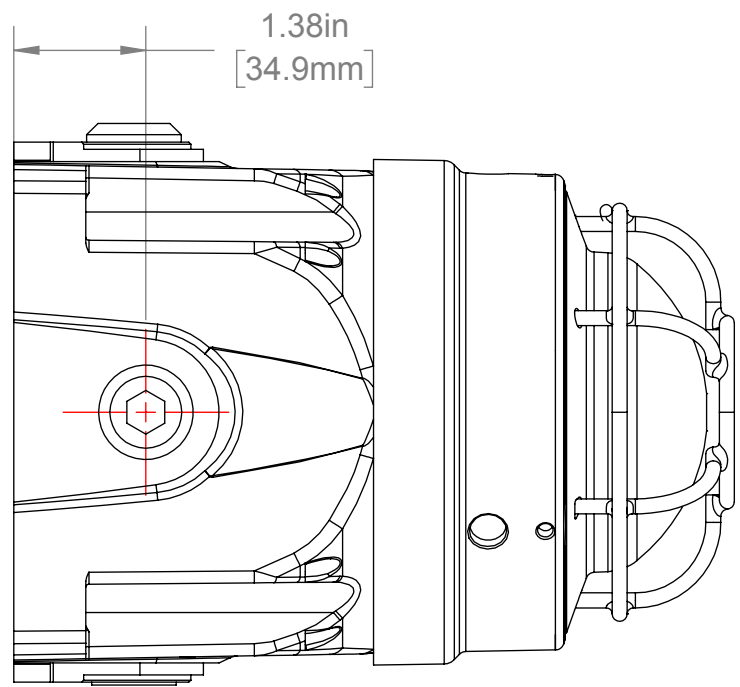
A

D

C

B

A



REF. SHEET 1 OF 3 FOR LED EX D
REF. SHEET 2 OF 3 FOR LED EX D W/TRUNNION

SHEET: 3 OF 3
UNITS: INCHES

FEDERAL SIGNAL 2645 FEDERAL SIGNAL DRIVE UNIVERSITY PARK, IL 60484		SAFETY & SECURITY GROUP	Tolerances (Unless Otherwise Specified): In[mm] --- ±0.5* Angles --- ±0.15[±0.4] x.xx[x.xx] --- ±0.015[±0.4] x.xxx[x.xx] --- ±0.005[±0.12]	NAME REF. DWG: G SERIES LED MODULES EX D W/TRUNNION, EX DE
FINISH PER NOTES REMOVE BURRS, SHARP CORNERS AND EDGES		SCALE AT C SIZE: 1/2		
MATERIAL PER NOTES		UNIT OF MEASURE PC		
- SEE SHEET 1 -		DRAWN BY: MFP CHKD. BY: MFP DRAWING NUMBER DATE: 08/21/18 DATE: 08/21/18 850000633A		
REV.	CHANGE	DATE	BY	

D

C

B

A