



► Model G-SPA

Global Series® Hazardous Location Amplified Speaker

Federal Signal Global Series® Amplified Speakers are designed for rugged industrial public address and general alarm applications. Standard (15W) models are certified for gas Group IIC environments, and High Power (30W) models are certified for gas group IIB environments. The Global Series Amplified Speakers are available with explosion-proof Ex d surface, Ex d trunnion, or Ex de surface mounts. Ex d surface and trunnion mount models come standard with two (2) M20 entries. The increased safety Ex de surface mount models include a separate terminal chamber for quick field termination or pass-through wiring and include three (3) M20 entries in a standard configuration.

Global Series Amplified Speakers are capable of amplifying audio-level signals from either 0.8, 2.8, 10, or 25 Vrms systems and reproducing it at 15 or 30-watt levels. Global Series Amplified Speakers work perfectly with ECHO Intercom systems, or with any application requiring audio amplification where ATEX or IECEx approval is required or desired.

Standard (15W) Global Series Amplified Speakers can be combined with all other Global Series audible and visual products in several custom configurations. Custom configurations can be ordered directly from the factory. Optional coupling kits, which allow limited field fixturing, are available. (High Power (30W) Amplified Speaker integration with custom configurations is coming soon).

FEATURES

- Supports 3 operational voltages: 24VDC, 120VAC, and 230VAC
- Standard (15W) models are compatible with 0.8, 2.8, or 25 Vrms systems
- High Power (30W) models are compatible with 0.8, 2.8, 10, and 25 Vrms systems
- Optional ratcheting stainless steel U-bracket trunnion mount with mounting hardware (field installation required)
- Non-metallic corrosion-resistant design
- Gain control
- Field customizable legend plates available¹
- Optional indicator rings are available in six colors: Black, Blue, Green, Magenta, Red, and Yellow
- Two M20 entries standard on Ex d models, three M20 entries standard on Ex de models
- Type 4X, IP66 enclosure
- UKEX certified



*Standard (15W) models only

Global Series® Hazardous Location Amplified Speaker (G-SPA)

RATINGS AND CERTIFICATIONS	STANDARD (15W)	HIGH POWER (30W)
ATEX/IECEX Certification Marking:	Ex db IIB T5 Gb or Ex db e IIB T5 Gb	Ex db IIB+H2 T4 Gb or Ex db e IIB+H2 T4 Gb
	Ex tb IIIC T100°C Db IP66	Ex tb IIIC T135°C Db IP66
	Ex db IIC T4 Gb or Ex db e IIC T4 Gb	Ex db IIB+H2 T4 Gb or Ex db e IIB+H2 T4 Gb
	Ex tb IIIC T135°C Db IP66	Ex tb IIIC T135°C Db IP66
	ATEX: Baseefa15ATEX0155X	Coming Soon
	IECEX: IECEX BAS 15.0104X	Coming Soon
UL and cUL Certification Marking:	Class I, Division 2, Groups A,B,C,D	Class I, Division 2, Groups A,B,C,D
	Class II, Division 2, Groups F,G	Class II, Division 2, Groups F,G
	Class III	Class III
	UL and cUL E12629	Coming Soon

MODEL	OPERATING VOLTAGE	NOMINAL OPERATING CURRENT ³	AUDIO LINE LEVEL / ECHO	DECIBELS ⁴	
				10'	1M
G-SPA (15W)	24VDC	0.370 amps	0.8/2.8 or 25 Vrms	100	110
	120/230VAC 50/60Hz	0.060/0.040 amps	0.8/2.8 or 25 Vrms	100	110
G-SPA (30W)	24VDC	1.1 amps	0.8/2.8/10/25 Vrms	111	121
	120/230VAC 50/60Hz	0.29/0.17 amps	0.8/2.8/10/25 Vrms	111	121

¹ Recommended labels for optional legend plates: BRADY #B-855 Toughwash labels or ULINE #S-16643 weather resistant

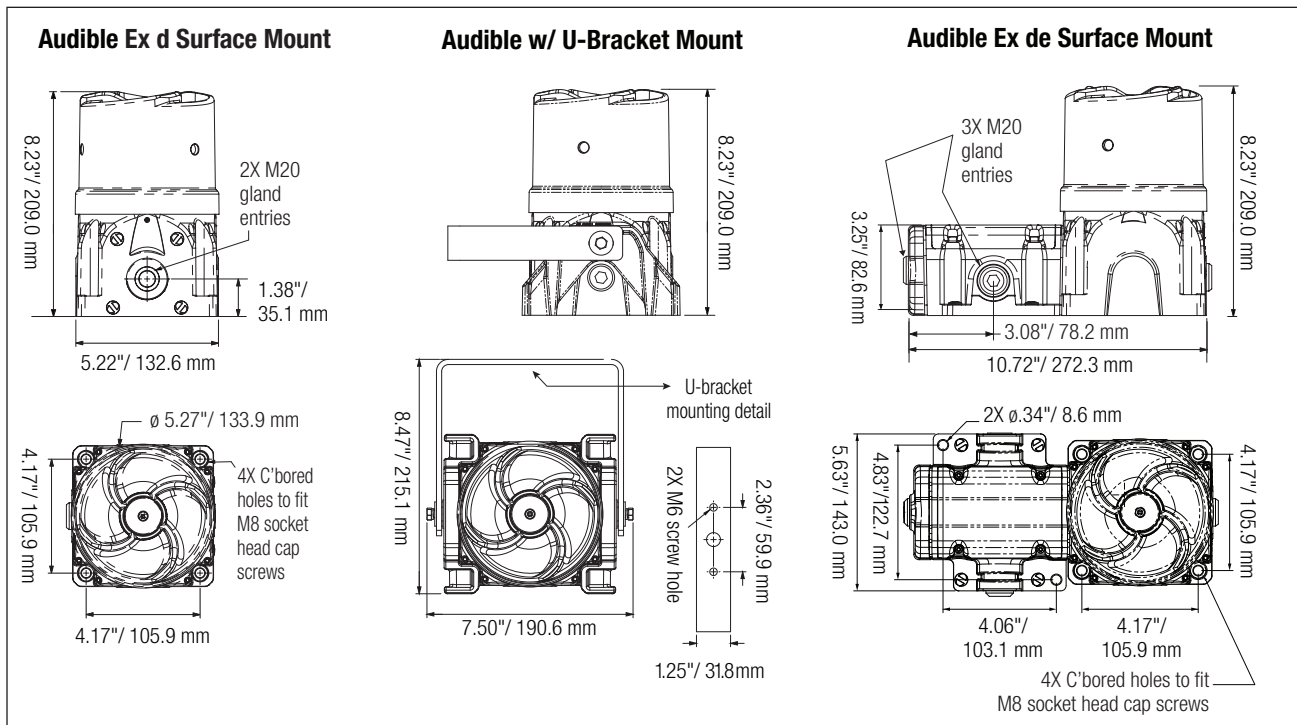
² Operating current varies with frequency content and input power

³ Ships with 2.8Vrms selected; field switchable

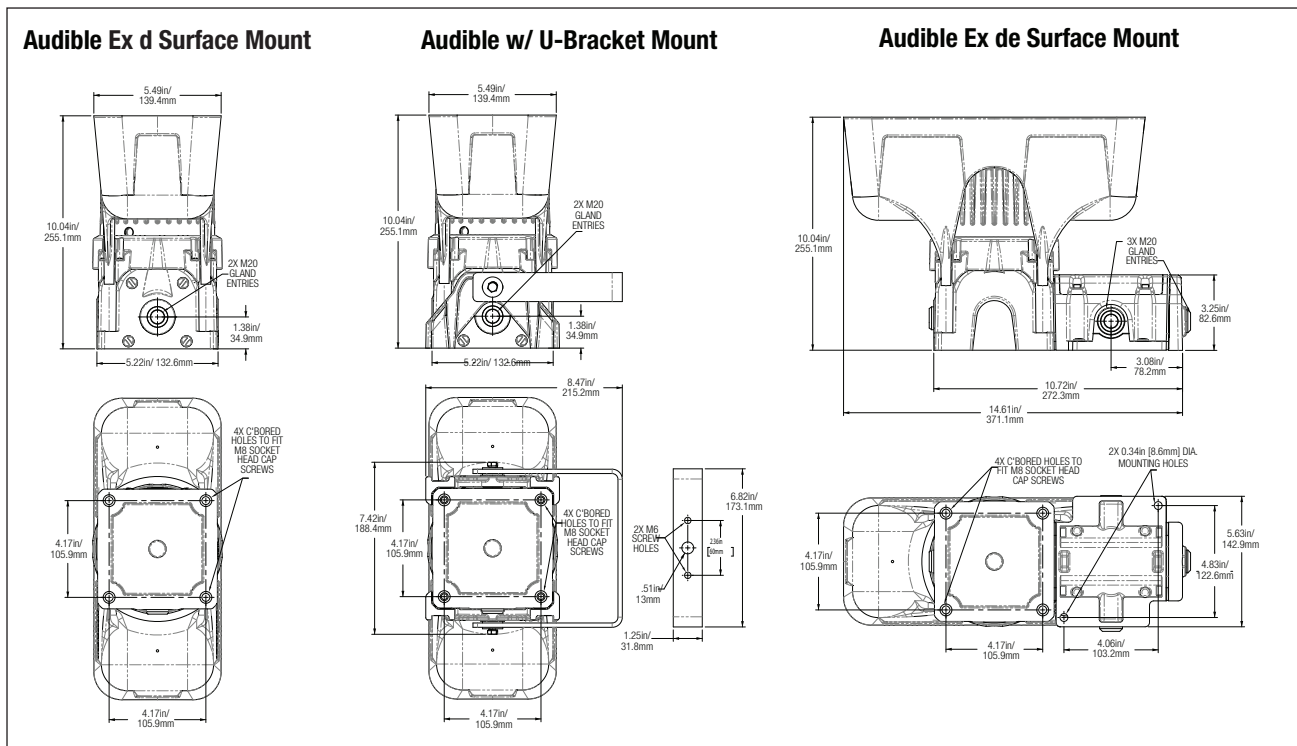
⁴ Measured using a reference frequency of 1.25 kHz at nominal operating voltage and audio level

HAZARDOUS LOCATION RATINGS	STANDARD (15W)	HIGH POWER (30W)
UL/cUL Temperature Code at 70°C		
Class I, Division 2, Groups A, B, C, D	T4	T4
Class II, Division 2, Groups F, G	T6	T6
Class III	T6	T6
UL/cUL Class/Zone Temperature Code at 70°C		
	T4	T4
ATEX/IECEX Temperature Code at 49°C	T5 (in IIB) T4 (in IIC)	T4
ATEX/IECEX Temperature Code at 70°C	T4 (in IIB) T4 (in IIC)	T4

Global Series Hazardous Location Amplified Speaker (G-SPA) Standard (15W) Models



Global Series Hazardous Location Amplified Speaker (G-SPA) High Power (30W) Models



Global Series® Hazardous Location Amplified Speaker (G-SPA)

SPECIFICATIONS

Operating Temperature: -67°F to 158°F (-55°C to 70°C)

Enclosure Material: Glass Reinforced Polycarbonate

External Fasteners: 316 stainless steel M8 socket head cap screws (4) for base module (3 in, 3 out with 4-tone selection terminals & select line)

Terminals: Ex d: 11 way block
Ex de: 3-pole, 4 position quad pole terminal blocks

Cable Entries: Ex d: 2 entries - M20 x 1.5
Ex de: 3 entries - M20 x 1.5

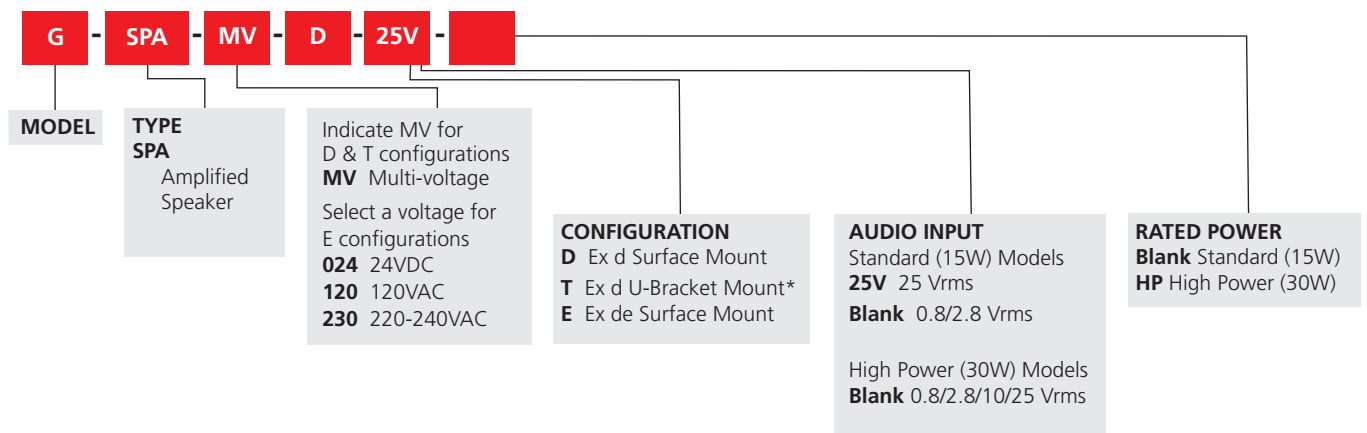
Net Product Weight:

	Standard (15W)
Ex d Surface Mount	9.61 lbs (4.36 kg)
Ex d U-Bracket Mount	11.59 lbs (5.26 kg)
Ex de Surface Mount	12.43 lbs (5.64 kg)
	High Power (30W)
Ex d Surface Mount	15.13 lbs (6.86 kg)
Ex d U-Bracket Mount	17.11 (7.76 kg)
Ex de Surface Mount	17.95 lbs (8.14 kg)

REPLACEMENT PARTS

Description	Part Number
Multi-voltage G-SND Sounder Kit (Includes PCBAs, Bracket, Driver, & Mounting Screws)	K859501404
Accessories	
E-Box Endcap with M20 Opening	K859500805-02
E-Box Endcap with M25 Opening	K859500805-01
E-Box Cover Assembly (Includes two terminal blocks, mounting plate, retention hardware)	K859501414
Adapter, M20 Male to 1/2" Female NPT	K231246A
Adapter, M20 Male to 3/4" Female NPT	K231247
Wall Mount Bracket	G-KIT-WBKT

HOW TO ORDER



* Field Installation Required