



► Model G-SND

Global Series® Hazardous Location Sounder

Federal Signal Global Series® Sounders are designed for rugged industrial environments and general alarm applications. Standard (15W) models are certified for gas Group IIC environments, and High Power (30W) models are certified for gas group IIB environments. All models are available with explosion-proof Ex d surface, Ex d trunnion, or Ex de surface mounts. Ex d surface and trunnion mount models come standard with two (2) M20 entries. The increased safety Ex de surface mount models include a separate terminal chamber for quick field termination or pass-through wiring and include three (3) M20 entries in a standard configuration.

The Global Series Sounder offers the flexibility of being wired to perform two separate functions. Users can select a single tone via a rotary switch, which will sound the chosen tone once power is supplied. Alternatively, multiple tones can be selected remotely by choosing the appropriate combination of inputs. This feature allows for a unique sound to match a specific alarm condition or to escalate an alarm condition.

Standard (15W) Global Series Sounders can be integrated with all other Global Series audible and visual products to create custom configurations tailored to specific needs. These custom configurations can be ordered directly from the factory. Optional coupling kits are also available, allowing for limited field fixturing. (High Power (30W) Sounder integration with custom configurations is coming soon).

FEATURES

- Supports three operational voltage: 24VDC, 120VAC, and 230VAC
- Optional ratcheting stainless steel U-bracket trunnion mount with mounting hardware (field installation required)
- Standard (15W) models feature 15 selectable tones
- High Power (30W) models feature 63 selectable tones
- Non-metallic corrosion resistant design
- Gain control
- Field customizable legend plates available
- Optional indicator rings are available in six colors: Black, Blue, Green, Magenta, Red and Yellow
- Two M20 entries standard on Ex d models, three M20 entries standard on Ex de models
- Type 4X, IP66 enclosure
- UL Fire Listed (Standard (15W) 24VDC operating voltage ONLY)
- UKEX certified

Global Series® Hazardous Location Sounder (G-SND)

RATINGS AND CERTIFICATIONS	STANDARD (15W)	HIGH POWER (30W)
ATEX/IECEX Certification Marking:	Ex db IIB T5 Gb or Ex db e IIB T5 Gb	Ex db IIB+H2 T4 Gb or Ex db e IIB+H2 T4 Gb
	Ex tb IIIC T100°C Db IP66	Ex tb IIIC T135°C Db IP66
	Ex db IIC T4 Gb or Ex db e IIC T4 Gb	Ex db IIB+H2 T4 Gb or Ex db e IIB+H2 T4 Gb
	Ex tb IIIC T135°C Db IP66	Ex tb IIIC T135°C Db IP66
	ATEX: Baseefa15ATEX0155X	Coming Soon
	IECEX: IECEX BAS 15.0104X	Coming Soon
UL and cUL Certification Marking:	Class I, Division 2, Groups A,B,C,D	Class I, Division 2, Groups A,B,C,D
	Class II, Division 2, Groups F,G	Class II, Division 2, Groups F,G
	Class III	Class III
	Class I, Zone 1 AEx db IIB+H2 T4	Class I, Zone 1 AEx db IIC T4
	Class I, Zone 21, AEx tb IIIC T4/135°C	Class I, Zone 21, AEx tb IIIC T4/135°C
	UL and cUL E12629	Coming Soon

MODEL	OPERATING VOLTAGE	NOMINAL OPERATING CURRENT ³	DECIBELS ⁴	
			10'	1M
G-SND (15W)	24VDC	0.460 amps	100	110
	120/230VAC 50/60Hz	0.140/0.080 amps	100	110
G-SND (30W)	24VDC	1.2 amps	112	122
	120/230VAC 50/60Hz	0.30/0.18 amps	112	122

¹ Refer to application guide for specific wiring details

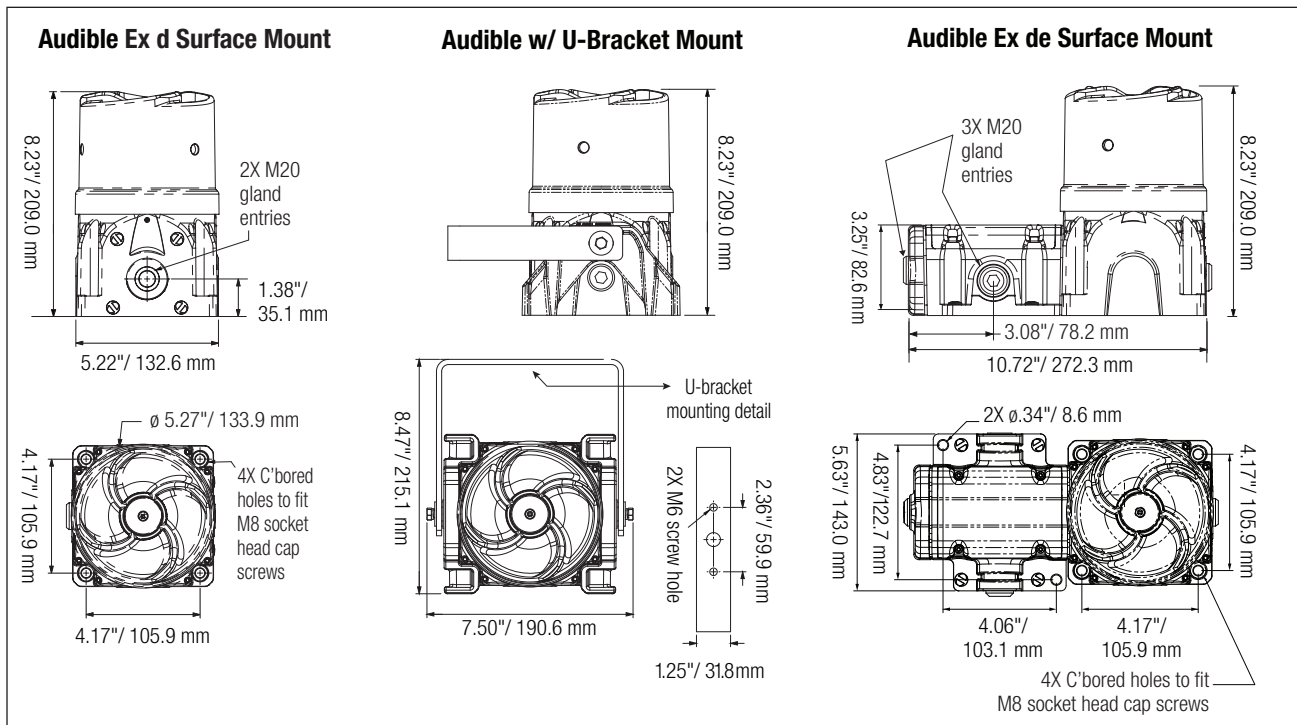
² Recommended labels for optional legend plates: BRADY #B-855 Toughwash labels or ULINE #5-16643 weather resistant

³ Operating current varies with frequency content and input power

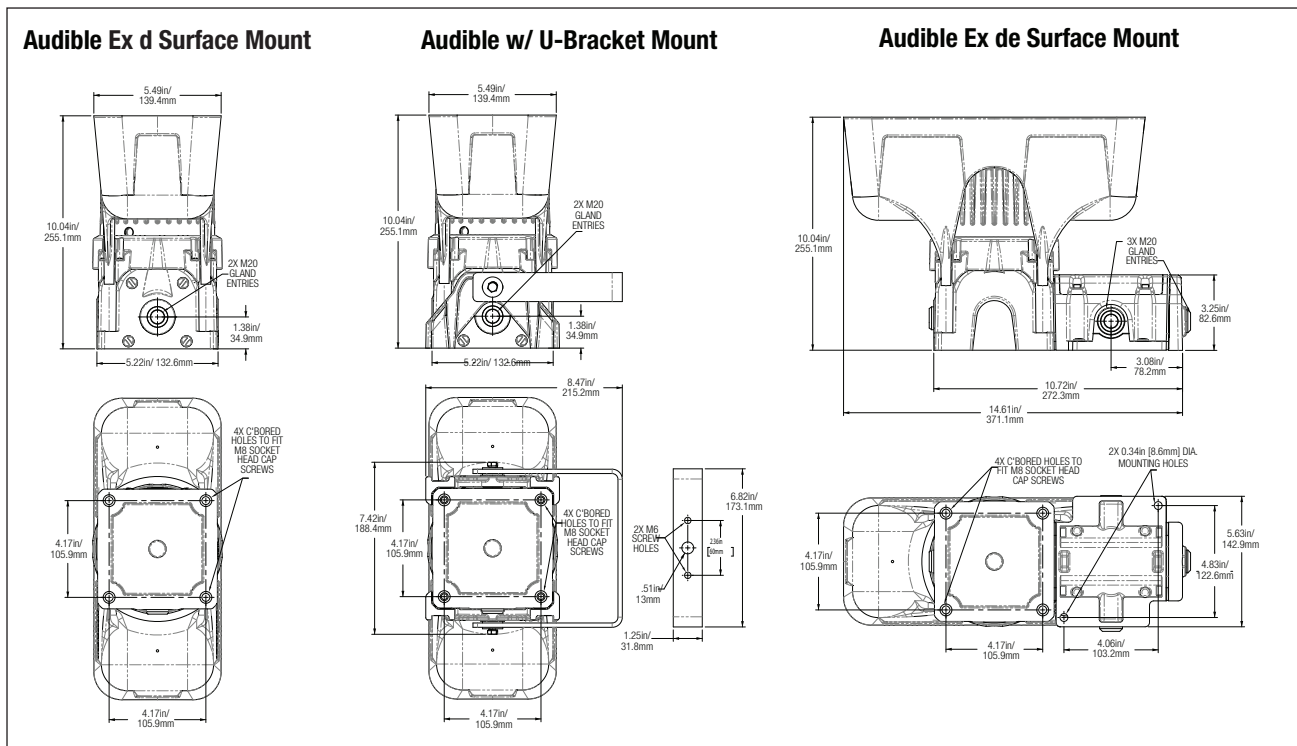
⁴ Measured using on-board tone 9 at nominal input voltage

HAZARDOUS LOCATION RATINGS	STANDARD (15W)	HIGH POWER (30W)
UL/cUL Temperature Code at 70°C		
Class I, Division 2, Groups A, B, C, D	T4	T4
Class II, Division 2, Groups F, G	T6	T6
Class III	T6	T6
UL/cUL Class/Zone Temperature Code at 70°C		
ATEX/IECEX Temperature Code at 49°C	T5 (in IIB) T4 (in IIC)	T4
ATEX/IECEX Temperature Code at 70°C	T4 (in IIB) T4 (in IIC)	T4

Global Series Hazardous Location Sounder (G-SND) Standard (15W) Models



Global Series Hazardous Location Sounder (G-SND) High Power (30W) Models



Global Series® Hazardous Location Sounder (G-SND)

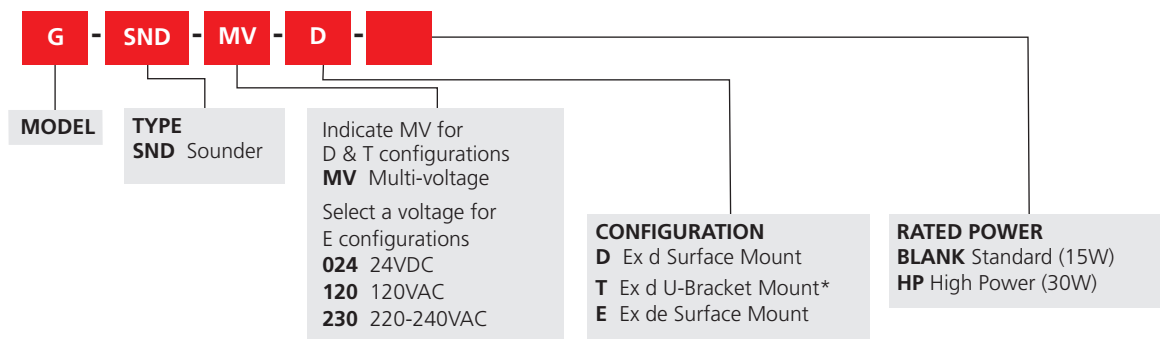
SPECIFICATIONS

Operating Temperature:	-67°F to 158°F (-55°C to 70°C)
Enclosure Material:	Glass Reinforced Polycarbonate
External Fasteners:	316 stainless steel M8 socket head cap screws (4) for base module (3 in, 3 out with 4-tone selection terminals & select line)
Terminals:	Ex d: 11 way block Ex de: 3-pole, 4 position quad pole terminal blocks
Cable Entries:	Ex d: 2 entries - M20 x 1.5 Ex de: 3 entries - M20 x 1.5
Net Product Weight:	Standard (15W)
Ex d Surface Mount	9.61 lbs (4.36 kg)
Ex d U-Bracket Mount	11.59 lbs (5.26 kg)
Ex de Surface Mount	12.43 lbs (5.64 kg)
	High Power (30W)
Ex d Surface Mount	15.13 lbs (6.86 kg)
Ex d U-Bracket Mount	17.11 (7.76 kg)
Ex de Surface Mount	17.95 lbs (8.14 kg)

REPLACEMENT PARTS

Description	Part Number
Multi-voltage G-SND Sounder Kit (Includes PCBAs, Bracket, Driver, & Mounting Screws)	K859501404
Accessories	
E-Box Endcap with M20 Opening	K859500805-02
E-Box Endcap with M25 Opening	K859500805-01
E-Box Cover Assembly (Includes two terminal blocks, mounting plate, retention hardware)	K859501414
Adapter, M20 Male to 1/2" Female NPT	K231246A
Adapter, M20 Male to 3/4" Female NPT	K231247
Wall Mount Bracket	G-KIT-WBKT

HOW TO ORDER



* Field Installation Required