

ICON™ Snow Plow Light

Exterior Lights



FEATURES

- Dual-post mount for added vibration resistance
- Hard-coated polycarbonate lens for increased scratch resistance
- Heated glass lens for automatic snow melting
- Features include low beam/high beam override, parking light, and front/side turn signal light
- Three-year warranty

Federal Signal's ICON™ Snow Plow Lights will help you, even in the harshest weather conditions. When roads get rough and visibility is low, you want a light that can keep people safe.

Our dual-post mount helps with vibration resistance so it can stay locked in place. These lights are made to last and come with a hard-coated polycarbonate lens which adds increased scratch resistance. Built into the lights is a heated lens that will melt snow and ice off the light head's surface. The heating function is activated when low-beam or high-beam lights are powered on and the air temperature is below 41 degrees F (5 degrees C). With this in mind, not only will you be able to see the road clearly, but you will be seen as well.

The ICON Snow Plow Light features include a low beam/high beam override, a parking light, and front and side turn signal lights.

APPROVALS

- FMVSS108
- SAE J222
- SAE J588
- SAE J914



Low Beam/High Beam



Parking Light



Front Turn Signal Light



Side Turn Signal Light

HOW TO ORDER

LED Color W C
 Lens Color W C

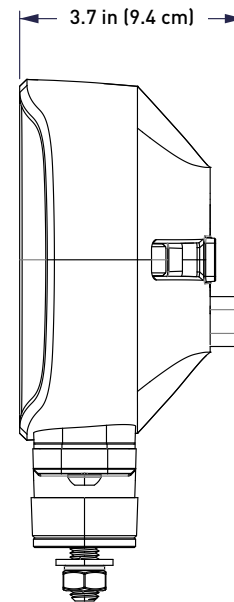
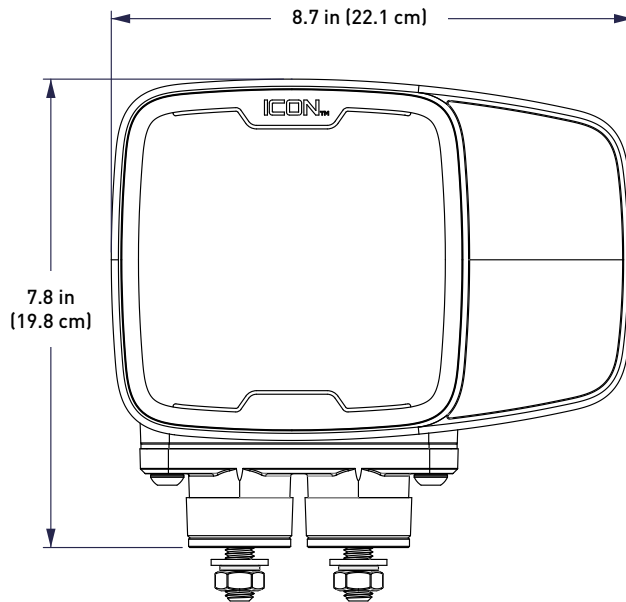
ICSSPL-P LED snow plow light, pair

ACCESSORIES

- SPLCABLE-1 Adapter cables, BOSS™ headlights, pair
- SPLCABLE-2 Adapter cables, Buyers SnowDogg®, pair
- SPLCABLE-3 Adapter cables, FISHER®/WESTERN®, pair

SPECIFICATIONS

HIGH BEAM CURRENT DRAW	7.2 A @ 12 Vdc per head (14.4 A paired)
LOW BEAM CURRENT DRAW	4.3 A @ 12 Vdc per head (8.6 A paired)
TURN SIGNAL CURRENT DRAW	0.5 A @ 12 Vdc per head
PARKING LIGHT CURRENT DRAW	0.2 A @ 12 Vdc per head (0.4 A paired)
OPERATING VOLTAGE	12/24 Vdc
OPERATING TEMP	-40° to +149°F (-40° to +65°C)
HEATED LENS ACTIVATION TEMP	-40° to +41°F (-40° to +5°C)
PHYSICAL SPECIFICATIONS	
LENGTH	8.7 in (22.1 cm)
WIDTH	3.7 in (9.4 cm)
HEIGHT	7.8 in (19.8 cm)
SHIP WEIGHT	
	13.0 lb (0.3 kg)



ICON is a trademark of Federal Signal Corporation. All others indicated are trademarks of their respective owners.