

# SmartSiren® Platinum



Model SSP2000B

Model SSP3000B

---

## *Installation and Maintenance Instructions*

## Limited Warranty

This product is subject to and covered by a limited warranty, a copy of which can be found at [www.fedsig.com/SSG-Warranty](http://www.fedsig.com/SSG-Warranty). A copy of this limited warranty can also be obtained by written request to Federal Signal Corporation, 2645 Federal Signal Drive, University Park, IL 60484, email to [info@fedsig.com](mailto:info@fedsig.com) or call +1 708-534-3400.

This limited warranty is in lieu of all other warranties, express or implied, contractual or statutory, including, but not limited to the warranty of merchantability, warranty of fitness for a particular purpose and any warranty against failure of its essential purpose.



### **FEDERAL SIGNAL** Safety and Security Systems

2645 Federal Signal Drive  
University Park, Illinois 60484

[www.fedsig.com](http://www.fedsig.com)

Customer Support

Police/Fire-EMS: 800-264-3578 • +1 708 534-3400

Work Truck: 800-824-0254 • +1 708 534-3400

Technical Support 800-433-9132 • +1 708 534-3400

All trademarks are property of their respective owners.

---

## Contents

|   |           |
|---|-----------|
| <b>Safety Messages for Installers and Operators .....</b>                   | <b>7</b>  |
| Safety Messages to Installers of Sound/Light Systems.....                   | 7         |
| Safety Messages to Operators of Sound/Light Systems .....                   | 9         |
| <b>An Overview of the SmartSiren Platinum.....</b>                          | <b>11</b> |
| Siren, PA, and Speakers.....  | 11        |
| Light Bars and SignalMaster Control.....                                    | 11        |
| Programmable Solid-State Auxiliary Relays.....                              | 11        |
| Programmable Input Circuits.....  | 12        |
| LED Indicators and Visual Diagnostics (Model SSP3000B Only) .....           | 12        |
| SmartSiren Platinum Kit Contents .....                                      | 14        |
| <b>Connecting the Convergence Network .....</b>                             | <b>16</b> |
| Selecting Mounting Locations.....   | 16        |
| Overview of the Convergence Network Connections .....                       | 18        |
| Preparing for the Convergence Network Installaton .....                     | 20        |
| Connecting the Convergence Network .....                                    | 20        |
| Connections for 10 A Auxiliary Relays.....                                  | 21        |
| Connections for Low-Current Auxiliary Relays.....                           | 23        |
| Connections for the Latitude SignalMaster.....                              | 24        |
| Connections for Rear External Discrete SignalMaster (SSP3000B Only) .....   | 25        |
| Connections for Relay Inputs 1 to 4.....                                    | 26        |
| Connections for the Ambient Light Sensor.....                               | 27        |
| Park Input (Cable Assembly 1751542-01 or 1752542-NY).....                   | 27        |
| Speaker Connections (Cable Assembly P/N 17500307) .....                     | 28        |
| Horn Ring Transfer (Cable Assembly 17500307).....                           | 29        |
| Radio Rebroadcast (Cable Assembly 17500307) .....                           | 31        |
| Connecting the Control Head .....   | 32        |
| Connecting the Active-Low Input Circuits (Cable Assembly 17500308).....     | 32        |
| Connecting Ignition Power to the Control Head (without Ignition Timer)..... | 33        |
| Connecting Power to the Control Head (with Ignition Timer) .....            | 33        |
| Connecting the Federal Signal Microphone (P/N 258B8577-03) .....            | 34        |
| Connecting the Siren to the Battery .....                                   | 35        |
| Preparing to Connect the Power Leads.....                                   | 35        |
| Connecting the Power Leads to the Vehicle Battery .....                     | 35        |
| <b>Setting the Gain for Radio Rebroadcast and PA .....</b>                  | <b>37</b> |
| Setting the Gain for Radio Rebroadcast.....                                 | 37        |
| Setting the Gain for Public Address (Microphone Volume).....                | 38        |

---

|   |           |
|---|-----------|
| <b>Mounting the Siren and Control Head .....</b>                                    | <b>39</b> |
| Mounting the Siren Amplifier/Relay Module.....                                      | 39        |
| Mounting the Control Head .....   | 40        |
| <b>Setting Control Head Options .....</b>   | <b>42</b> |
| Entering Program Mode.....  | 42        |
| Turning Off or On the 10-Second Notification Beep .....                             | 42        |
| Selecting Active-High Activation of Horn-Ring Transfer.....                         | 43        |
| Selecting Active-High Activation of the Park Input Circuit.....                     | 43        |
| Dimming or Turning Off the Button LEDs .....  | 44        |
| Configuring Keep-Alive Timeout.....   | 44        |
| Resetting the Control Head to the Factory Default Configuration .....               | 45        |
| Exiting Program Mode.....   | 45        |
| <b>Testing the Convergence Network Installation.....</b>                            | <b>46</b> |
| <b>Control Head Legends and Safety Messages.....</b>                                | <b>51</b> |
| Applying the Replaceable Control Head Legends.....                                  | 51        |
| Distributing the Safety Message Card .....  | 51        |
| Applying the Siren Safety Labels in the Vehicle .....                               | 52        |
| <b>Safety Messages to Personnel Servicing Federal Signal Electronic Sirens.....</b> | <b>53</b> |
| <b>Servicing the Convergence Network System .....</b>                               | <b>54</b> |
| Replacing the Slide Switch.....   | 54        |
| Dismounting and Disconnecting the Control Head.....                                 | 54        |
| Replacing the Slide Switch in the Control Head.....                                 | 56        |
| Reinstalling the Control Head.....  | 57        |
| Servicing the Siren Amplifier/Relay Module .....                                    | 57        |
| Uninstalling the Siren Amplifier/Relay Module.....                                  | 57        |
| Replacing an External Fuse .....  | 57        |
| Replacing a Terminal Insulator.....   | 58        |
| Reinstalling the Siren Amplifier/Relay Module .....                                 | 59        |
| <b>Getting Technical Support.....</b>   | <b>59</b> |
| <b>Getting Repair Service .....</b>   | <b>59</b> |
| <b>Ordering Replacement Parts .....</b>   | <b>60</b> |

---

## Figures

|  |    |
|--|----|
| Figure 1 All trademarks are property of their respective owners. ....                    | 2  |
| Figure 1 Dimensions of the control head .....  | 17 |
| Figure 2 Dimensions of the siren amplifier/relay module .....                            | 17 |
| Figure 3 Overview of Convergence Network Connections .....                               | 19 |
| Figure 4 Serial port locations .....   | 21 |
| Figure 5 Configurable activation options for 10 A relays with active-low capability..... | 22 |
| Figure 6 Connection for 10 A solid-state auxiliary relays .....                          | 23 |
| Figure 7 Connection for 2 A solid-state relays.....                                      | 24 |
| Figure 8 Connections for discretely wired SignalMaster .....                             | 25 |
| Figure 9 Switch operation for Inputs 1 to 4 .....  | 26 |
| Figure 10 Connections for discrete-wire SignalMaster .....                               | 26 |
| Figure 11 Connections for the Park Input circuit.....                                    | 27 |
| Figure 12 Connections for two speakers .....   | 28 |
| Figure 13 Connections for horn-ring transfer circuit .....                               | 30 |
| Figure 14 Connections for radio rebroadcast.....   | 31 |
| Figure 15 Connections for the control head .....   | 32 |
| Figure 16 Microphone connected to the control head.....                                  | 34 |
| Figure 17 Negative ground connection for the control head .....                          | 36 |
| Figure 18 Default control head button for radio rebroadcast.....                         | 37 |
| Figure 19 Gain control for radio rebroadcast (siren amplifier/relay module).....         | 38 |
| Figure 20 Gain control for PA (amplifier/relay module).....                              | 38 |
| Figure 21 Gain control for PA (control head) .....                                       | 38 |
| Figure 22 Slots for mounting hardware .....  | 40 |
| Figure 23 Bracket attached to back of control head.....                                  | 41 |
| Figure 24 Brackets attached to control head and mounting surface .....                   | 41 |
| Figure 25 LEDs and buttons associated with Program Mode settings .....                   | 43 |
| Figure 26 Keep-Alive Timeout durations.....  | 44 |
| Figure 27 SSP2000B default configuration for control head.....                           | 47 |
| Figure 28 SSP2000B control head and ignition timer inputs .....                          | 47 |
| Figure 29 SSP3000B default configuration for control head .....                          | 48 |
| Figure 30 SSP3000B control head and ignition timer inputs.....                           | 48 |
| Figure 31 Default configuration for steering wheel switches wired to control head.....   | 49 |

---

|  |    |
|--|----|
| Figure 32 LED indicators and fuses on upper part of siren amplifier/relay module ..... | 49 |
| Figure 33 LED indicators on lower label of siren amplifier/relay module .....          | 50 |
| Figure 34 LED programming indicators on the control head.....                          | 50 |
| Figure 35 Installing the control head labels.....                                      | 51 |
| Figure 36 Safety message card (left) and siren safety labels (right).....              | 52 |
| Figure 37 Control head removed from mounting surface.....                              | 55 |
| Figure 38 Control head removed from mounting brackets .....                            | 55 |
| Figure 39 Slide switch removed from control head .....                                 | 56 |
| Figure 40 External parts assembly (SSP3000B shown) .....                               | 58 |
| Figure 41 Locking tabs on red insulator .....  | 58 |

### Tables

|  |    |
|--|----|
| Table 1 System Specifications .....  | 12 |
| Table 2 Siren Specifications .....   | 13 |
| Table 3 SignalMaster Specifications (Model SSP3000B only).....                     | 13 |
| Table 4 Relay Specifications.....  | 13 |
| Table 5 SSP2000B kit contents .....  | 14 |
| Table 6 SSP3000B kit contents .....  | 15 |
| Table 7 Descriptions of configurable activation options for 10 A relays.....       | 22 |
| Table 8 Table 3.2 Configurable activation options for 2 A solid-state relays ..... | 23 |
| Table 9 Latitude SignalMaster control wires.....                                   | 24 |
| Table 10 Replacement parts .....   | 60 |

## **Safety Messages for Installers and Operators**

For your safety, read and understand this manual thoroughly before installing, operating, and servicing the SmartSiren Platinum siren amplifier/relay module. The safety messages presented in this section and throughout the manual are reminders to exercise extreme care at all times. Read and understand the safety instructions to installers (doc. no. 256A692), and keep it close at hand for reference.

To download copies of this manual, go to [www.fedsig.com](http://www.fedsig.com) or call the Federal Signal Service Department at 1-800-433-9132 (708-534-3400) 7 a.m. to 5 p.m., Monday through Friday (CT).

## **Safety Messages to Installers of Sound/Light Systems**

### **▲ WARNING**

People's lives depend on your proper installation and servicing of Federal Signal products. It is important to read and follow all instructions shipped with this product. Listed below are some other important safety instructions and precautions you should follow:

#### **Before Installation**

##### *Qualifications*

- To properly install an electronic siren, you must have a good understanding of automotive electrical procedures and systems, along with proficiency in the installation and service of safety warning equipment. Always refer to the vehicle's service manuals when performing equipment installations on a vehicle.

##### *Sound Hazards*

- Your hearing and the hearing of others, in or close to your emergency vehicle, could be damaged by loud sounds. This can occur from short exposures to very loud sounds, or from longer exposures to moderately loud sounds. For hearing conservation guidance, refer to federal, state, or local recommendations. OSHA Standard 1910.95 offers guidance on "Permissible Noise Exposure."
- All effective sirens and horns produce loud sounds (120 dB) that may cause permanent hearing loss. Always minimize your exposure to siren sound and wear hearing protection. Do not sound the siren indoors or in enclosed areas where you and others will be exposed to the sound.
- Federal Signal siren amplifier/relay modules and speakers are designed to work together as a system. Combining a siren and speaker from different manufacturers may reduce the warning effectiveness of the siren system and may damage the components. Verify or test your combination to make sure the system works together properly and meets federal, state and local standards or guidelines.

### **During Installation**

- Do NOT get metal shavings inside the product. Metal shavings in the product can cause the system to fail. If drilling must be done near the unit, place an ESD approved cover over the unit to prevent metal shavings from entering the unit. Inspect the unit after mounting to be sure there are no shavings present in or near the unit.
- Do NOT connect this system to the vehicle battery until ALL other electrical connections are made, mounting of all components is complete, and you have verified that no shorts exist. If wiring is shorted to vehicle frame, high current conductors can cause hazardous sparks resulting in electrical fires or flying molten metal.
- Be sure the siren amplifier/relay module and speaker(s) in your installation have compatible wattage ratings.
- In order for the electronic siren to function properly, the ground connection must be made to the NEGATIVE battery terminal.
- Sound output will be severely reduced if any objects are in front of the speaker. If maximum sound output is required for your application, you should ensure that the front of the speaker is clear of any obstructions.
- Install the speaker(s) as far forward on the vehicle as possible, in a location that provides maximum signaling effectiveness and minimizes the sound reaching the vehicle's occupants. Refer to the National Institute of Justice guide 500-00 for further information.
- Mounting the speakers behind the grille will reduce the sound output and warning effectiveness of the siren system. Before mounting speakers behind the grille, make sure the vehicle operators are trained and understand that this type of installation is less effective for warning others.
- Sound propagation and warning effectiveness will be severely reduced if the speaker is not facing forward. Carefully follow the installation instructions and always install the speaker with the projector facing forward.
- Do NOT install the speaker(s) or route the speaker wires where they may interfere with the operation of airbag sensors.
- Installation of two speakers requires wiring speakers in phase.
- Never attempt to install aftermarket equipment that connects to the vehicle wiring without reviewing a vehicle wiring diagram available from the vehicle manufacturer. Ensure that your installation will not affect vehicle operation and safety functions or circuits. Always check the vehicle for proper operation after installation.
- Do NOT install equipment or route wiring or cord in the deployment path of an airbag.



- If a vehicle seat is temporarily removed, verify with the vehicle manufacturer if the seat needs to be recalibrated for proper airbag deployment.
- Locate the control head so the vehicle, controls, and microphone can be operated safely.
- When drilling into a vehicle structure, ensure that both sides of the surface are clear of anything that could be damaged.

**After Installation**

- After installation, test the siren and light system to ensure that it is operating properly.
- Test all vehicle functions, including horn operation, vehicle safety functions and vehicle light systems, to ensure proper operation. Ensure that installation has not affected vehicle operation or changed any vehicle safety function or circuit.
- After testing is complete, provide a copy of these instructions to the instructional staff and all operating personnel.
- File these instructions in a safe place and refer to them when maintaining or reinstalling the product.

Failure to follow all safety precautions and instructions may result in property damage, serious injury, or death.

**RETAIN AND REFER TO THESE MESSAGES**

**Safety Messages to Operators of Sound/Light Systems**

** WARNING**

People's lives depend on your safe operation of Federal Signal products. It is important to read and follow all instructions shipped with the products. Listed below are some other important safety instructions and precautions you should follow.

- Do not attempt to activate or de-activate the light system control while driving in a hazardous situation.
- Although your warning system is operating properly, it may not be completely effective. People may not see or heed your warning signal. You must recognize this fact and continue to drive cautiously.
- Situations may occur which obstruct your warning signal when natural and man made objects are between your vehicle and others, such as raising your hood or trunk lid. If these situations occur, be especially careful.
- All effective sirens and horns produce loud sounds that may cause, in certain situations, permanent hearing loss. You and your passengers should consider taking appropriate safety precautions, such as wearing hearing protection.
- In order to be an effective warning device, this product produces bright light that can be hazardous to your eyesight when viewed at a close range. Do not

## ***Safety Messages for Installers and Operators***

---

stare directly into this lighting product at a close range or permanent damage to your eyesight may occur.

- It is important that you fully understand how to safely operate this warning system before use.
- Operate your vehicle and its light/sound system in accordance with your department's Standard Operating Procedures.
- If a selected function does not perform properly or if any of the lamps remain illuminated when the control is off, disconnect the power connector from the control unit and contact the nearest service center.
- At the start of your shift, you should ensure that the entire warning light system and the siren system is securely attached and operating properly.
- The effectiveness of an interior mounted warning light depends on the clarity, the tinting, and the angle of the glass it is being placed behind. Tinting, dirt, defects, and steeply angled glass reduce the light output of the warning light. This may reduce the effectiveness of the light as a warning signal. If your vehicle has dirty, tinted, or steeply angled glass, use extra caution when driving your vehicle or blocking the right of way with your vehicle.
- Suction cup mounting is for temporary applications only. The unit should be removed from the window and stored securely when not in use. Temperature changes and sunlight can cause suction cups to lose holding power. Periodically check the unit to be sure the suction cups have a firm grip on the mounting surface. An improperly secured light could fall off of the vehicle causing injury and damage.
- The holding power of magnetic mounting systems is dependent upon surface finish, surface flatness, and thickness of the steel mounting surface.
- Therefore, to promote proper magnetic mounting:
  - The mounting surface and magnets must be kept clean, dry, and free of foreign particles that prevent good surface contact.
  - Ensure that the mounting surface is flat.
  - A magnet mounting system should not be used on vehicles with vinyl tops.
  - To prevent the light assembly from sliding on mounting surface, avoid quick acceleration and hard stops.

Failure to follow these precautions may result in property damage, serious injury, or death.

**RETAIN AND REFER TO THESE MESSAGES**

## **An Overview of the SmartSiren Platinum**

The SmartSiren® Platinum siren amplifier/relay module is a full-featured, programmable electronic siren and light control system. State-of-the-art microprocessor technology is used to create a system with a small, compact control head and a siren amplifier/relay module that can be installed in the trunk, under the dashboard, or under the seat of any vehicle with a 12 V negative ground system.

The module provides the automatic, simultaneous light and siren activation required by some jurisdictions. A security shotgun timer is also provided to minimize the possibility of unauthorized shotgun release. The module has six easily accessible Convergence Network serial ports that connect the control head and any serially-controlled Federal Signal product. A variety of system features can be programmed with the Convergence Network Configuration Software from a computer via a crossover Ethernet cable that connects the control head. System features include flash patterns, siren tones, and momentary, push-on/push-off, or timed relay operation. Programming does not require disassembling or removing any hardware from the vehicle.

### **Siren, PA, and Speakers**

The SmartSiren produces wail, yelp, priority, and hi-lo siren tones, as well as an air horn sound. The horn-ring transfer feature enables the driver to control siren tones by pressing the horn button. Public address is available with the Federal Signal microphone, which is included with the system. Radio rebroadcast is also available. The Model SSP3000B module can drive one or two 11-ohm impedance, 100 W speakers, and the Model SSP2000B module can drive one. Two speakers must always be connected in parallel and in phase.

### **Light Bars and SignalMaster™ Control**

Compatible light bars include full featured, serially-controlled Federal Signal Arjent® S2, Legend®, Valor®, and Integrity® as well as the SpectraLux® ILS Series of interior-mounted light bars. A full-featured SignalMaster controller is integrated into the system. In addition, flash rates and patterns, light bar dimming, and other options can be programmed with the Convergence Network Configuration Software.

### **Programmable Solid-State Auxiliary Relays**

The Model SSP3000B has 14 solid-state relays: ten 10 A high-low and four 3 A high.

The Model SSP2000B has 11 solid-state relays: one 10 A high-low, six 10 A high, and four 2 A high.

## Programmable Input Circuits

Both models of the siren amplifier/relay modules have connections for four relay input circuits. Relay inputs 1 and 2 are active-low inputs that activate a switch when pulled to ground. Relay inputs 3 and 4 are active-high inputs that activate a switch when pulled to 12 Vdc battery voltage. The inputs are most commonly used for switches that send a signal to the siren amplifier/relay module when a condition in the vehicle changes. Changes may include the opening of a trunk or door, a rise in vehicle temperature, or the release of a gun lock.

The control head has connections for four active-low inputs that activate when pulled to ground. Similar to the relay circuits, they can be configured to operate with the Convergence system control head or with the configurable switches on the steering wheel of the Ford Police Interceptor.

## LED Indicators and Visual Diagnostics (Model SSP3000B Only)

LEDs visible just below the surface of the siren amplifier/relay module indicate when power is supplied to the auxiliary outputs and if the module is transmitting and receiving data. LEDs also indicate when a signal is received by the four input circuits and if the light bar is functioning. Externally mounted mini-blade fuses for the siren, horn-ring circuit, SignalMaster™, and auxiliary relays have LEDs that glow when the fuse fails, making them easy to spot.

All buttons on the control head glow when the system is on. Pressed buttons turn bright to indicate that the function they control is active. LEDs under the SmartSiren logo mimic these active SignalMaster patterns: Left, Right, Center-Out, or Warn patterns 1 to 4. An LED glows over the position in which the slide switch is placed.

**Table 1 System Specifications**

|                             |  |
|-----------------------------|--|
| Input Voltage               | 11 Vdc to 16 Vdc   |
| Polarity                    | Negative ground only   |
| Operating Temperature Range | -40°C to +65°C (relays at full power)<br>-40°C to +80°C (relays at 60 percent power) |
| Standby Current             | Less than 0.2 A  |
| Dimensions:                 |  |
| Amplifier/relay module      |  |
| Height x Weight x Length    | 4.22 x 7.94 x 6.81 inches (10.72 x 20.17 x 17.3 cm)                                  |
| Net Weight                  | 5.40 lb (2.45 kg)  |
| Control head                |  |
| Height                      | 3.26 in (8.28 cm)  |
| Width                       | 1.62 in (4.11 cm)  |
| Length                      | 6.80 in (17.27 cm)   |
| Net Weight                  | 0.8 lb (0.36 kg)   |
| Shipping Weight             | 10.0 lb (4.53 kg)  |

**Table 2 Siren Specifications**

|                                 |  |
|---------------------------------|--|
| Speakers                        | SSP2000B: one 100 W, 11-ohm speaker<br>SSP3000B: one or two 100 W, 11-ohm speakers   |
| Operating Current (no lamps on) | 9 A (nominal), (13.6 V battery, 11-ohm load at high power)   |
| Frequency Range                 | 725 to 1600 Hz   |
| Nominal Cycle Rate              | Wail: 12 cycles per minute<br>Yelp: 180 cycles per minute<br>Priority: 370 cycles per minute<br>High-Low: 60 cycles per minute |
| Nominal Voltage Output          | 64 V peak-to-peak (siren tones)  |
| Audio Response                  | 300 Hz to 3,000 Hz $\pm$ 3 dB  |
| Audio Power                     | 45 W in PA Mode (typical with 1.4 V peak-to-peak input)  |
| Harmonic Distortion             | Less than 10 percent from 5 to 45 W  |
| Input Impedance (PA)            | 4,000 ohms (nominal)   |
| Siren Tone Compliances          | SAE J1849 JUL89  |

**Table 3 SignalMaster Specifications (Model SSP3000B only)**

|                                 |                                      |
|---------------------------------|--------------------------------------|
| Fuse                            | 20 A (halogen or LED)                |
| Output Drive Capability (Total) | Eight lamps at 27 W each             |
| Normal Flash Rate               |                                      |
| Directional and Warn            | Approximately 35 patterns per minute |
| Fast Flash Rate                 |                                      |
| Directional and Warn            | Approximately 45 patterns per minute |

**Table 4 Relay Specifications**

|                                |  |
|--------------------------------|--|
| Model SSP3000B Fuse Capability | AUX 1 to 8: 10 A (high)<br>AUX 9 and 10: 10 A (high-low)<br>AUX 11 to 14: 2 A high   |
| Model SSP2000B Fuse Capability | AUX 1 to 6: 10 A (high)<br>AUX 10: 10 A (high-low)<br>AUX 11 to 14: 2 A (high)   |
| Flash Rates                    | 75 flashes per minute<br>90 flashes per minute<br>120 flashes per minute<br>200 flashes per minute<br>300 flashes per minute |

## SmartSiren Platinum Kit Contents

Tables 5 (Model SSP2000B) and 6 (SSP3000B) list the parts included with the SmartSiren Platinum kit. After unpacking the kit, examine it for damage that may have occurred in transit. If the product has been damaged, file a claim immediately with the carrier stating the extent of damage. Carefully check all envelopes, shipping labels, and tags before removing or destroying them. Ensure all parts in the packing list are included in the shipment. If any parts are missing, call Federal Signal Customer Support at 1-800-264-3578, 7 a.m. to 5 p.m., Monday through Friday, Central Time.

**Table 5 SSP2000B kit contents**

| Qty. | Description                                  | Part Number     |
|------|--|-----------------|
| 1    | SSP2000B Control Head                        | 853600632-SSP2K |
| 1    | SSP2000B Siren Amplifier/Relay Module        | 853600629-04    |
| 1    | Cable Assembly, RS485, 25 ft                 | 1751357-02      |
| 1    | Cable Assembly, Control                      | 17500307        |
| 1    | Cable Assembly, Auxiliary Relay              | 1751541         |
| 1    | Cable Assembly, SignalMaster™ and Inputs     | 1751542-NY      |
| 1    | Cable Assembly                               | 17500308        |
| 2    | Bracket, Mounting, Control Head              | 85361065        |
| 2    | Screw, Mach. Pan Head, #6-32                 | 7000A404-05     |
| 2    | Screw, Cap, Hex Head, 1/4"-20                | 7002A000-12     |
| 2    | Screw, Pan Head, #10, Thread-Forming         | 7011A047-08     |
| 2    | Lock Washer, Split, #6                       | 7074A001        |
| 2    | Lock Washer, Ext, Tooth, 1/4"                | 7075A007        |
| 1    | Keyhead Legends, Scored Sheet                | 8572294         |
| 1    | Microphone with Modular Plug                 | 256B577-03      |
| 1    | Fuse, 5 A, Mini Blade                        | 148181-03       |
| 7    | Fuse, 10 A, Mini Blade                       | 148181-05       |
| 1    | Fuse, 20 A, Mini Blade                       | 148181          |
| 1    | Quick Reference Guide                        | 2562503         |
| 1    | Card, Safety Instructions                    | 256B691         |
| 1    | Instruction Sheet, Operators Safety Messages | 256A692         |
| 1    | Label, Warning, Siren/Speaker                | 1612339         |

**Table 6 SSP3000B kit contents**

| Qty. | Description                                  | Part Number |
|------|--|-------------|
| 1    | SSP3000B Control Head                        | 853600632   |
| 1    | SSP3000B Siren Amplifier/Relay Module        | 853600629   |
| 1    | Cable Assembly, RS485, 25 ft                 | 1751357-02  |
| 1    | Cable Assembly, Control                      | 17500307    |
| 1    | Cable Assembly, Auxiliary Relay              | 1751541     |
| 1    | Cable Assembly, RJ45 Ethernet Crossover      | 1751532     |
| 1    | Cable Assembly, SignalMaster™ and Inputs     | 1751542-01  |
| 1    | Cable Assembly                               | 17500308    |
| 1    | Cable Assembly, RJ45, Ethernet Crossover     | 1751532     |
| 2    | Bracket, Mounting, Control Head              | 85361065    |
| 2    | Screw, Mach. Pan Head, #6-32                 | 7000A404-05 |
| 2    | Screw, Cap, Hex Head, 1/4"-20                | 7002A000-12 |
| 2    | Screw, Pan Head, #10, Thread-Forming         | 7011A047-08 |
| 2    | Lock Washer, Split, #6                       | 7074A001    |
| 2    | Lock Washer, Ext, Tooth, 1/4"                | 7075A007    |
| 1    | Keyhead Legends, Scored Sheet                | 8572294     |
| 1    | Microphone with Modular Plug                 | 256B577-03  |
| 1    | Fuse, 5 A, Mini Blade, LED Indicator         | 148210-04   |
| 7    | Fuse, 10 A, Mini Blade, LED Indicator        | 148210-06   |
| 1    | Fuse, 20 A, Mini Blade, LED Indicator        | 148210-08   |
| 1    | Quick Connect Guide                          | 25600152    |
| 1    | Quick Reference Guide                        | 2562503     |
| 1    | Card, Safety Instructions                    | 256B691     |
| 1    | Instruction Sheet, Operators Safety Messages | 256A692     |
| 1    | Label, Warning, Siren/Speaker                | 1612339     |

## Connecting the Convergence Network

Before permanently installing the SmartSiren® Platinum system, plan all wire routings and select the mounting locations for the siren amplifier/relay module and control head. Read and understand all instructions included with related equipment before installing it.

### Selecting Mounting Locations

When fastened to the back of the control head, the mounting bracket covers the wiring connectors and a supplemental control for the gain or volume of the radio rebroadcast feature. To facilitate the installation of the SmartSiren Platinum system, select mounting locations for the control head and the siren amplifier/relay module before permanently mounting them in the vehicle. After completing the wiring described in this chapter, refer to the instructions for mounting the control head and the siren amplifier/relay module in “Mounting the Siren and Control Head” on page 39.

**⚠ WARNING**

***AIRBAG DEPLOYMENT: Do not install equipment or route wiring in the deployment path of an airbag. Failure to observe this warning will reduce the effectiveness of the airbag or potentially dislodge the equipment, causing serious injury or death.***

**⚠ WARNING**

***SEAT REMOVAL PRECAUTION: If a vehicle seat is temporarily removed, verify with the vehicle manufacturer if the seat needs to be recalibrated for proper airbag deployment.***

**NOTICE**

***UNRESTRICTED AIR FLOW REQUIRED (SSP3000B ONLY): The siren amplifier is cooled by an internal fan. Do not install it in areas where air flow is restricted. Do not mount the unit near a heater duct or under the hood.***

**NOTICE**

***MODULE IS NOT WATERPROOF: The housing of the siren amplifier/relay module is NOT waterproof. The module must be mounted in a location that is sheltered from falling rain, snow, standing water, etc.***

For the control head, select a mounting location that allows the vehicle, controls, and microphone to be operated safely under all driving conditions. To identify safe mounting areas for equipment inside the vehicle, consult the vehicle manufacturer’s guidelines. To avoid driver distraction and unreliable switch activation, the mounting location must not allow any movement of the control head.

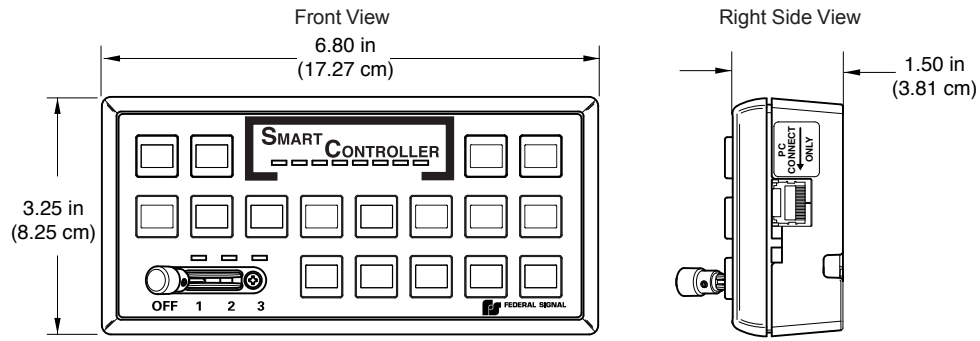
Do not select a heated surface for the mounting location of the control head. For the siren amplifier/relay module, suggested mounting locations are under the dash, under the front seat, or in the trunk under the rear deck near the rear seat speakers. Wiring connectors are located on the back of the siren amplifier/relay



module. Terminals for the ground and power connections are located on each side toward the rear.

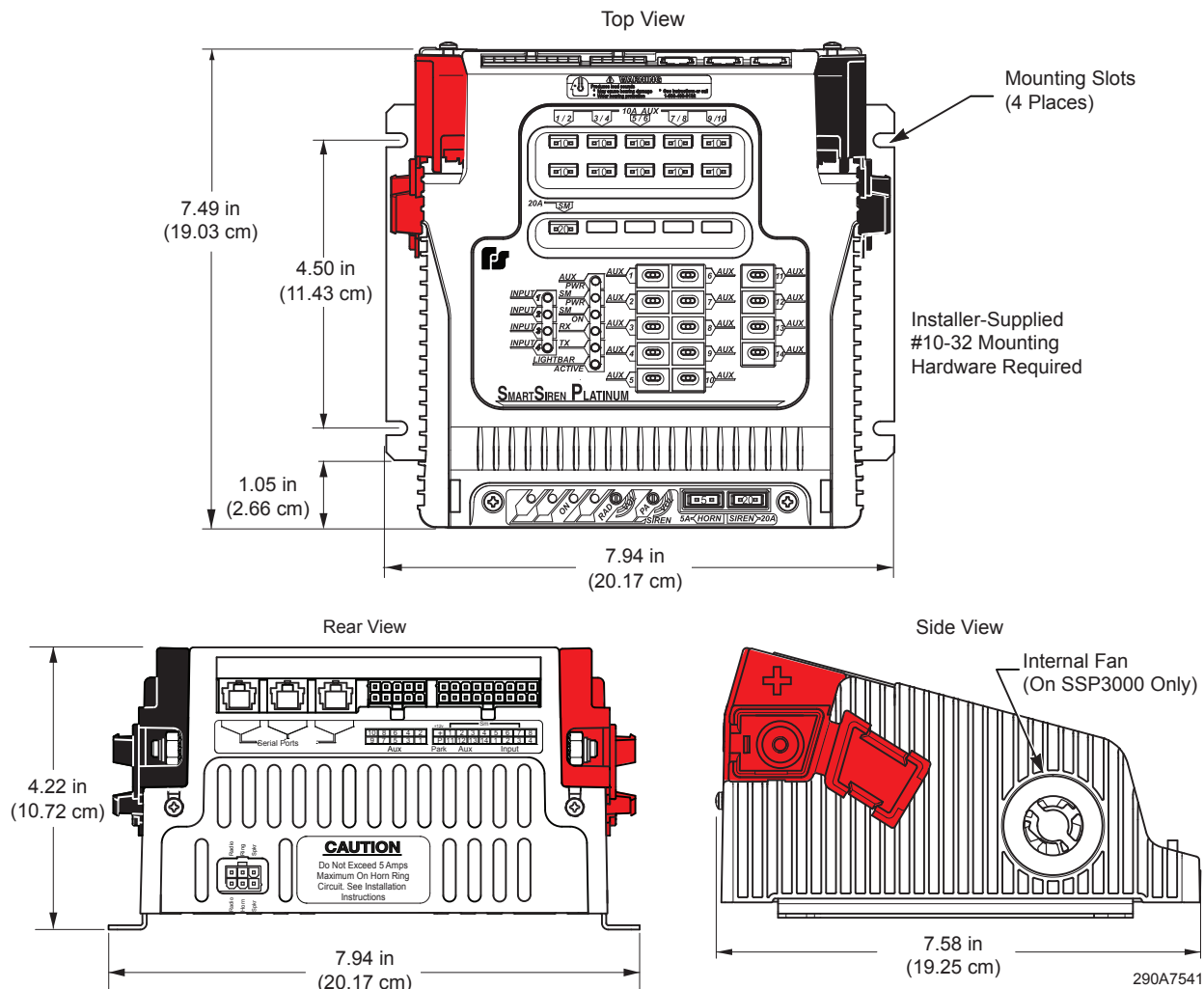
**IMPORTANT:** To maintain the reliability of the Model SSP3000B amplifier/relay module, which is cooled by a fan, ensure that there is enough room for the flow of air.

**Figure 1 Dimensions of the control head**



290A6328

**Figure 2 Dimensions of the siren amplifier/relay module**



290A7541

### Overview of the Convergence Network Connections

The Convergence Network system has these types of connections via cables and locking connectors included with the kit. See Figure 4.

#### Connections for the siren amplifier/relay module:

- Three “plug and play” serial ports that communicate on the Federal Signal Convergence network with the control head, compatible light bars, and the Federal Signal Model 660100 Relay Module/Two-Channel Flasher.
- Seven to ten 10 A auxiliary solid-state relays (cable assembly 1751541)
- Four low-current auxiliary solid-state relays and a Park Input circuit (cable assembly 1751542-01 or 1751542-NY)
- SignalMaster™ directional warning lights (cable assembly 1751542-01, SSP3000B only)
- Four auxiliary relay inputs (cable assembly 1751542-01 or 1751542-NY)
- Speakers and a horn ring circuit (cable assembly 17500307)
- Power terminals for negative ground and positive 12 Vdc

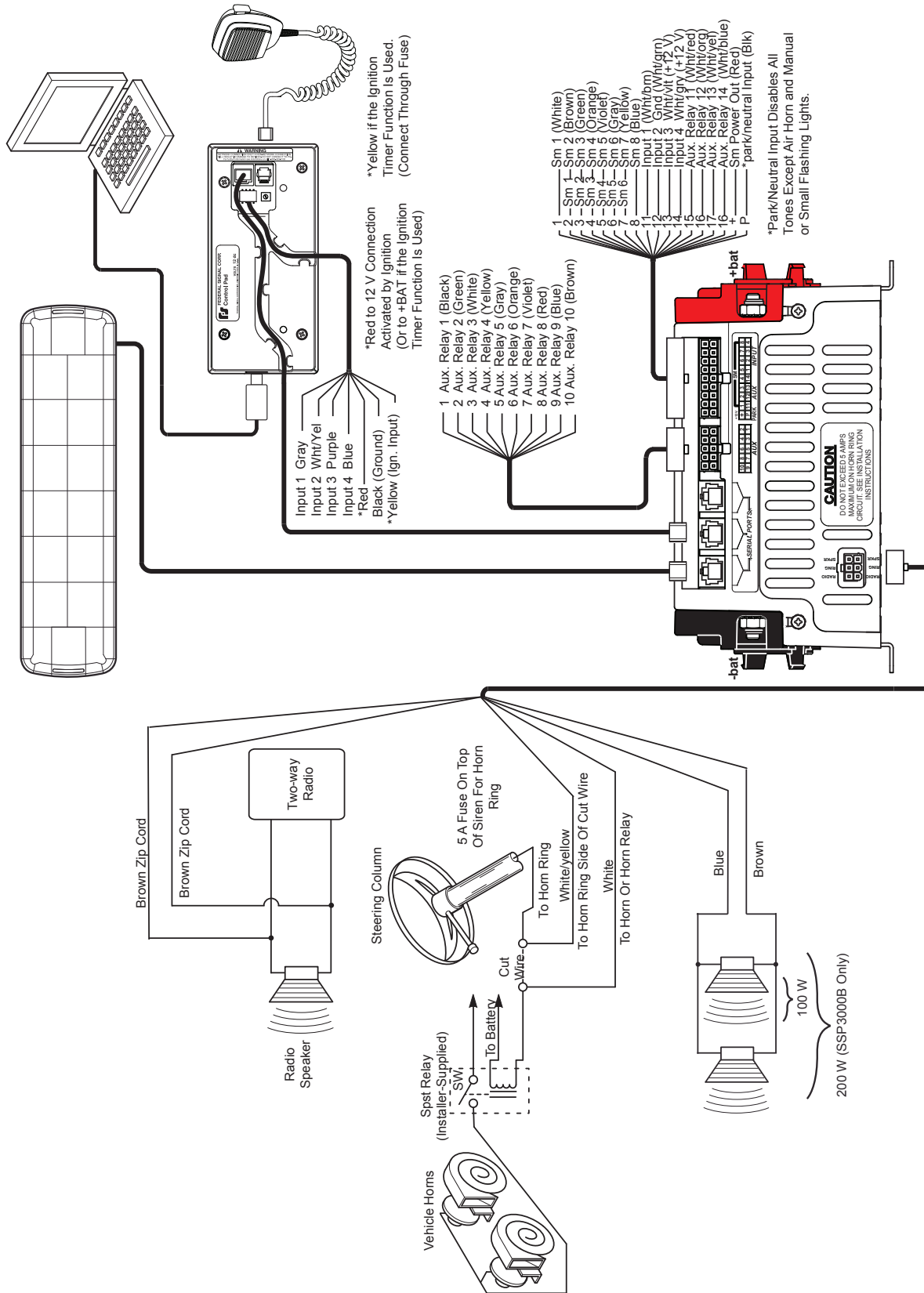
#### Connections for the control head:

- Four active-low input circuits that activate when pulled to ground. They can be configured to operate with the SSP3000B system control head or with the switches on the steering wheel of the Ford Police Interceptor.
- Connections to the siren for battery ground (-GND) and +12 Vdc switched by ignition
- Connection for the Federal Signal public address microphone (P/N 258B577-03)
- Convergence Network 25-foot cable that connects the control head to the siren amplifier (1751532)
- Optional ignition input to run long timers

For installation details, see “Connecting the Control Head” on page 32.

For instructions on configuring the operation of the devices connected through the Convergence Network, see the “Convergence Configuration Software Manual” P/N 2562418.

Figure 3 Overview of Convergence Network Connections



290A7825

## Preparing for the Convergence Network Installation

**⚠ WARNING**

**HIGH CURRENT ARCING:** Do not connect this system to the vehicle battery until ALL other electrical connections are made and you have verified that no shorts exist. High current conductors can cause hazardous sparks or burning wire, resulting in electrical fires.

**NOTICE**

**DRILLING PRECAUTIONS:** When drilling holes, check the area you are drilling into to ensure that you do not damage vehicle components while drilling. All drilled holes should be de-burred, and all sharp edges should be smoothed. All wire routings going through drilled holes should be protected by a grommet or convolute/split loom tubing.

To prepare the vehicle for connecting the Convergence Network system:

1. After planning where to route the wires and cables for the system components—such as Federal Signal warning lights, directional lights, and speakers—drill the holes for the wiring. Smooth, deburr, and insert a grommet in the holes.
2. Mount the system components according to the instructions included with each product.

The next sections describe how to connect and wire each system component to the siren amplifier/relay module.

## Connecting the Convergence Network

There are three network ports on the upper left rear corner of the siren amplifier/relay module. These ports connect Federal Signal network devices through RS-485 communication cables.

Network devices include:

- The system control head, which must be connected to a serial port on the siren amplifier/relay module. Use the 25-foot FS Convergence Network cable (P/N 1751357-02) to connect the control head to the module.
- Exterior-mounted, full-size light bars, such as the Arjent® S2, Legend®, Valor®, and Integrity®. Configurable options include flash patterns and functions, such as dimming, takedowns, and alley lights.
- ILS System light bars that include three models of single-level LED light bars — Front ILS, Rear Lower ILS, and Rear Upper ILS — that mount on the inside of a vehicle windshield. Configurable options include flash patterns and functions, such as dimming, takedowns, and alley lights.

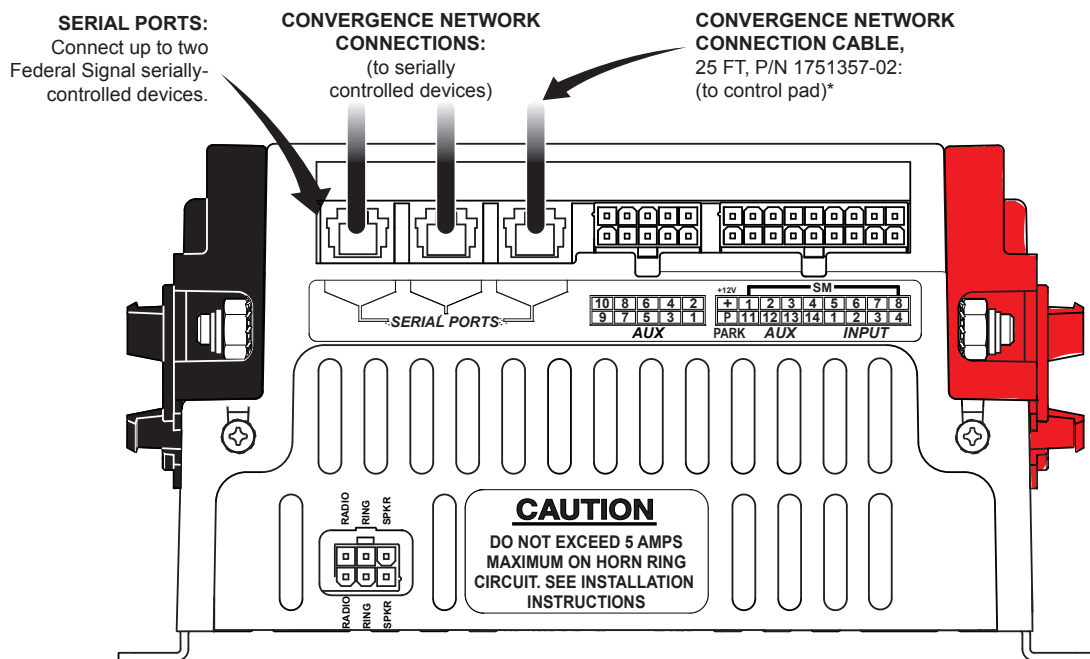
Figure 5 on page 22 shows the network connections on the back of the siren amplifier/relay module. For instructions on mounting network devices, refer to the instructions included with the products.

To connect the devices:

1. Carefully route the cables from the network devices through the vehicle to the connectors on the siren amplifier/relay module.
2. To provide strain relief, secure the cables with installer-supplied clamps and hold-downs.
3. Insert the modular connector at the end of each cable into the appropriate connector.

**NOTE:** The 25-foot FS Convergence Network cable must be connected between the control head and one of the three serial ports. See Figure 4.

**Figure 4 Serial port locations**



### Connections for 10A Auxiliary Relays

Cable assembly P/N 1751541 has 18-inch leads for eight to ten (depending on the model) 10 A solid state relays with these configurable options:

- Eight +12 Vdc out (active high)
- Two +12 Vdc out (active high) or negative (–) ground out (active low)
- Steady-on or one of five flash rates for small flashing lights
- Synchronized or alternating flashing for two or more lights
- Open-off or inverse-off operation

**NOTE:** The Model SSP2000B has one high-low 10 A relay. The rest are +12 Vdc only relays.

**Table 7 Descriptions of configurable activation options for 10 A relays**

| Configured Activation | Description   |
|-----------------------|---|
| Active High           | The relay supplies +12 Vdc during the “on” state.   |
| Active Low            | The relay supplies ground during the “on” state.  |
| Open Off              | The relay is open during the “off” state, a condition similar to an open electromechanical relay. |
| Inverse Off           | The NC relay alternates from its former polarity to the other each time it is in the “off” state. |

**Figure 5 Configurable activation options for 10 A relays with active-low capability**

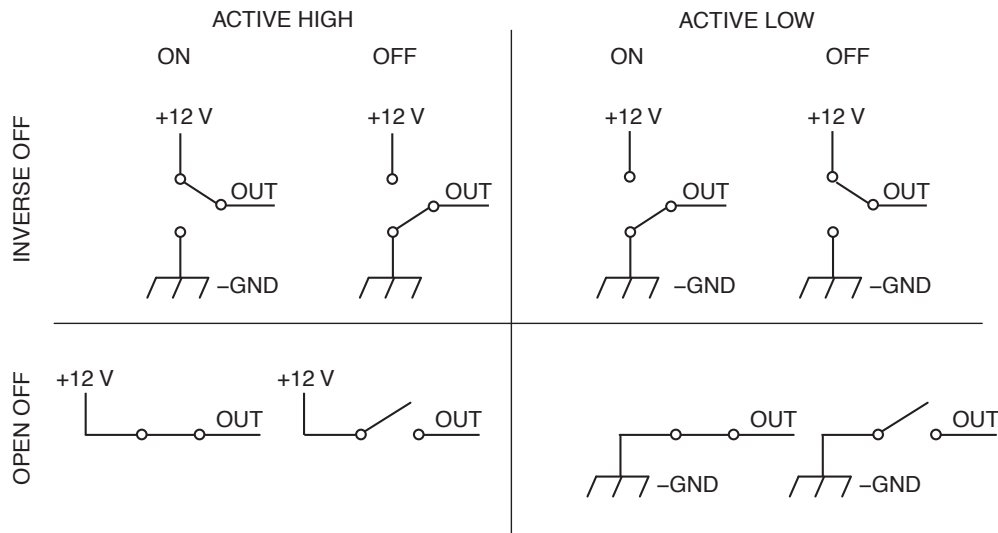
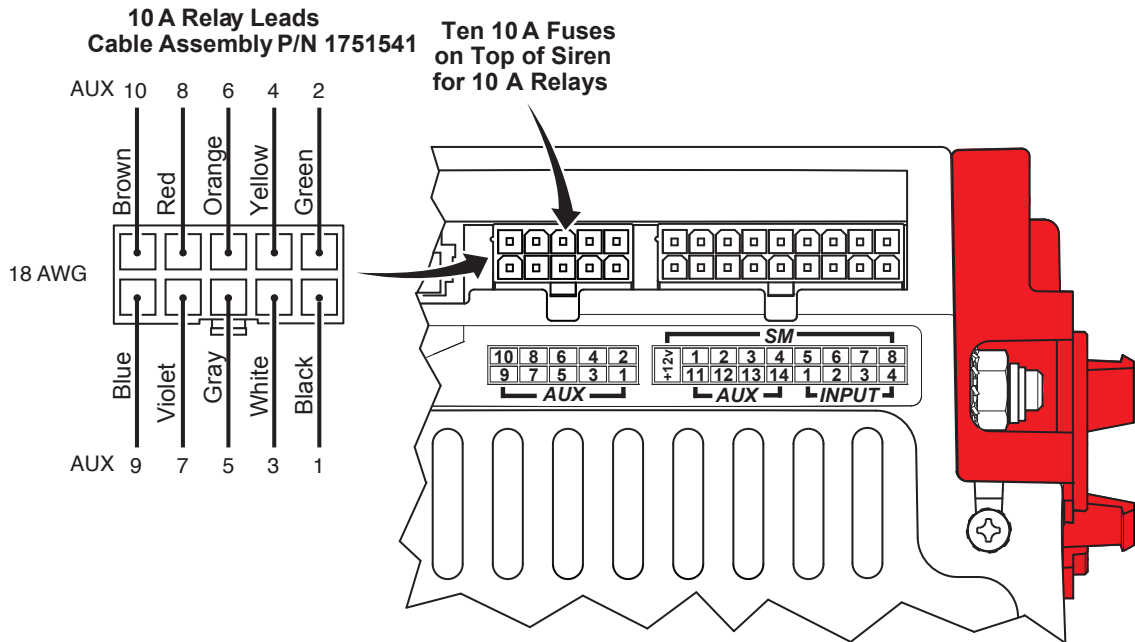


Figure 7 on page 24 shows the connectors for the 10 A relay cable assembly on the back of the amplifier/relay module. The relays are fused on top of the module with 10 A mini-blade fuses. Extend wiring with 18 AWG leads or thicker. Insulate spliced leads with twist-on wire connectors. Fold and seal unused leads.

Figure 6 Connection for 10 A solid-state auxiliary relays



### Connections for Low-Current Auxiliary Relays

Cable assemblies 1751542-NY (SSP2000B) and 1751542-01 (SSP3000B) includes 18-inch, 18 AWG leads for four solid-state relays. The relays are 12 Vdc out only (active high) with these software-configurable options:

- Steady-on lighting or one of five flash rates for small flashing lights.
- Synchronized or alternating flashing for two or more small flashing lights.

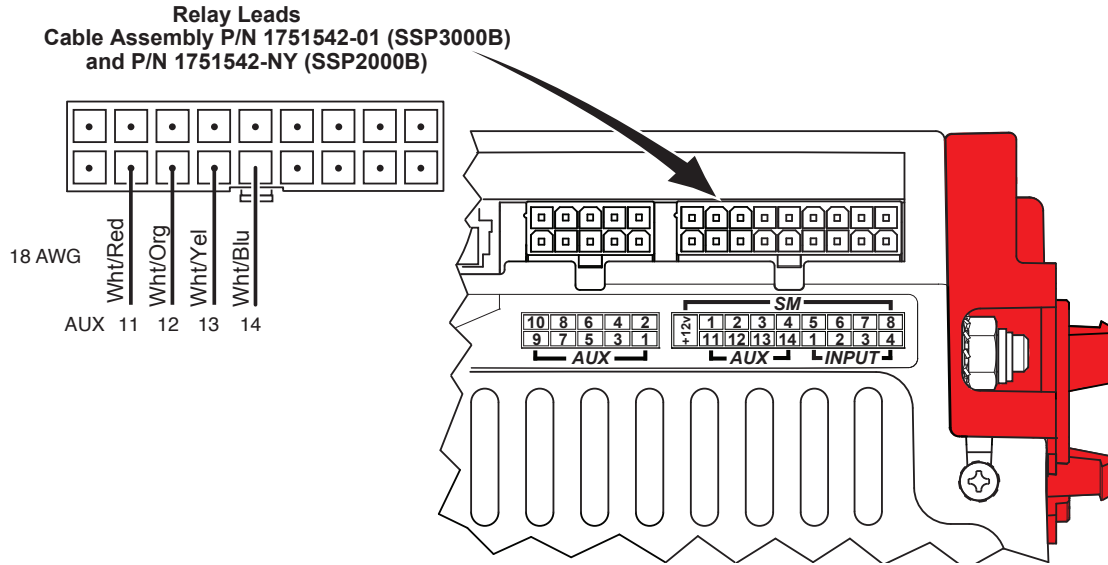
Figure 8 on page 24 shows the connectors for the relay cable assembly on the back of the siren amplifier/relay module. The relays are protected inside the module by electronic short-circuit detection circuits.

Extend wiring with 18 AWG leads or thicker. Insulate spliced leads with twist-on wire connectors. Fold and seal unused leads.

Table 8 Table 3.2 Configurable activation options for 2 A solid-state relays

| Configured Activation | Description  | Diagram |
|-----------------------|--|---------|
| Active High           | The relay supplies +12 Vdc during the “on” state.  |         |
| Open Off              | The NC relay is open during the “off” state, a condition similar to an open electromechanical relay. |         |

Figure 7 Connection for 2 A solid-state relays



### Connections for the Latitude SignalMaster™

The SSP3000B and SSP2000B both support controlling the Latitude SignalMaster through a combination of high-current and low-current relays. The relays used for Latitude are shown in the table below and cannot be changed to other available relays. Enabling these relays to control the Latitude is done through the Convergence Configuration Software on the SignalMaster buttons.

For more information on the Latitude see installation manual No. 25500085.

Table 9 Latitude SignalMaster control wires

| SSP3000B | SSP2000B | Control Wires |
|----------|----------|---------------|
| Relay 8  | Relay 6  | Red           |
| Relay 13 | Relay 13 | Green         |
| Relay 14 | Relay 14 | White         |
| Ground   | Ground   | Black         |



## Connections for Rear External Discrete SignalMaster™ (SSP3000B Only)

Cable assembly 1751542-01 includes 18-inch, 20 AWG wires for six-head and eight-head SignalMaster light bars that are wired discretely. These directional warning lights are standalone light bars, rather than part of a full-featured, serial-controlled light bar, with separate wires for each light head. The Convergence network accepts up to four SignalMaster light bars of any type.

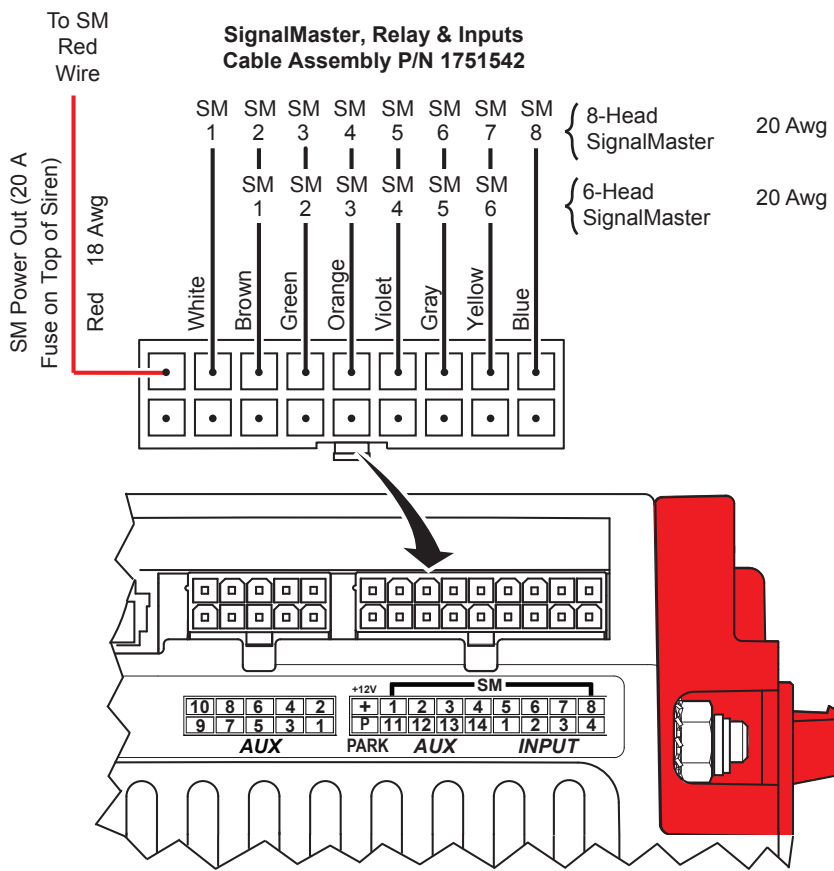
The SignalMaster has these software-configurable options:

- Step-through selection of up to four directional warn patterns
- Four SAE directional warn patterns
- Ten non-SAE warn patterns
- Fast and low-power

Figure 8 shows the connectors for a six and an eight-head SignalMaster on the back of the amplifier/relay module. Extend the red power wire with an 18 AWG lead or thicker. The SignalMaster is fused on the top of the siren amplifier/relay module with a 20 A mini-blade LED fuse.

Extend wiring to the SignalMaster light heads with 20 AWG leads or thicker. Insulate spliced leads with twist-on wire connectors. Fold and seal unused leads.

**Figure 8 Connections for discretely wired SignalMaster**

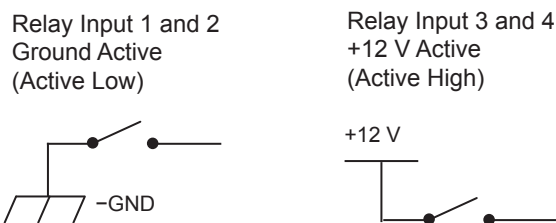


## Connections for Relay Inputs 1 to 4

Cable assemblies P/N 1751542-01 and P/N 1751542-NY include 18-inch, 20 AWG wires for four relay circuit inputs. Figure 9 shows the connectors for the four input leads on the back of the amplifier/ relay module. Inputs 1 to 4 are most commonly used for circuits that send a signal to the SSP3000B system when a condition in the vehicle changes. Changes in conditions may include the opening of a trunk or door, a rise in vehicle temperature, or the release of a gun lock. The inputs are often used for police vehicle anti-theft devices, intrusion alarms, and temperature monitoring systems for K9 vehicles.

Input 1 and 2 are active-low inputs that activate when the input pin is pulled to ground. Input 3 and 4 are active high inputs that activate when the input pin is pulled to +12 Vdc battery voltage. See Figure 9.

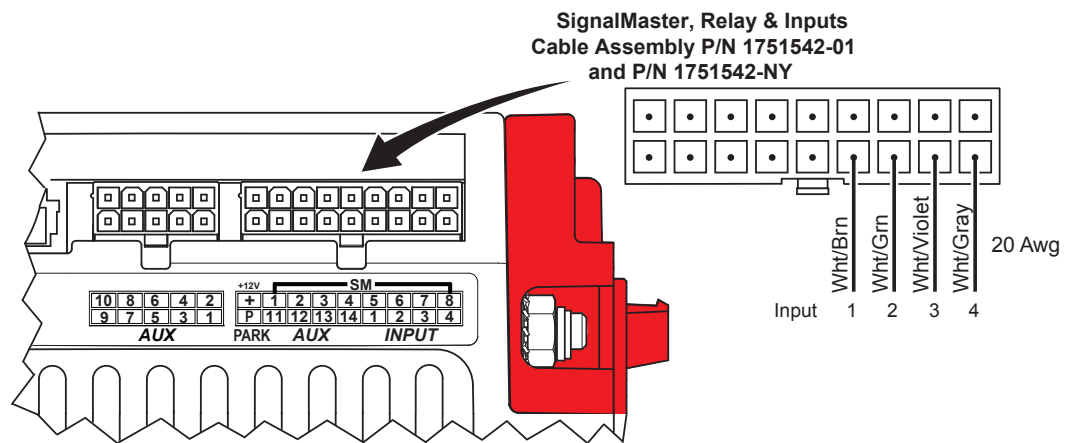
**Figure 9 Switch operation for Inputs 1 to 4**



Software-configurable options include siren activation or siren mute, timer settings, and switch operation. Extend wiring with 20 AWG leads or thicker. Insulate spliced leads with twist-on wire connectors. Fold and seal unused leads.

**NOTE:** If using a Federal Signal light bar equipped with an ambient light sensor, Input 1 is used to control functions activated by the ambient light sensor. To avoid a malfunction, do not connect anything to the input wire for Input 1 when using a light bar equipped with an ambient light sensor. To enable light bar dimming with the ambient light sensor, enable Auto Dim on Relay Input 1 in the Convergence Configuration Software.

**Figure 10 Connections for discrete-wire SignalMaster™**



## Connections for the Ambient Light Sensor

The SSP3000B and SSP2000B both support Federal Signal light bars equipped with an ambient light sensor. The software uses Input 1 to activate functions when the light bar senses low light.

No extra connections are needed to support this feature. Simply do not connect anything to Input 1, and make any programming changes you want active during low light on the Input 1 button of the Convergence Configuration Software.

## Park Input (Cable Assembly 1751542-01 or 1752542-NY)

The Park Input circuit sends a signal to the siren amplifier/relay module to mute all siren functions except Air Horn and Manual when the vehicle transmission is shifted into park or neutral. The circuit can detect a +12 V signal or a –GND signal.

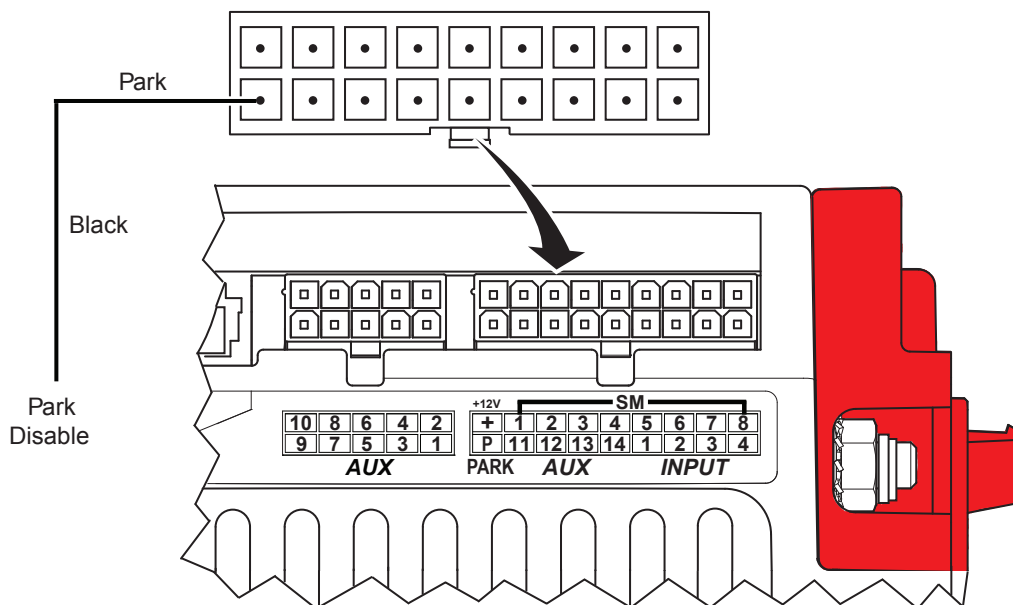
**IMPORTANT:** The operation of the Park Input circuit can be configured as active high or active low. The Park Input function is configured through the control head. For instructions, see “Selecting Active-High Activation of the Park Input Circuit” on page 44.

The Siren Mute option is configured with the Convergence Configuration Software.

To wire the Park Input option:

1. Connect the black Park Input wire from the siren to the electrical circuit that provides +12 V or –GND when the vehicle transmission is in park. See Figure 11.
2. Extend wiring with 18 AWG leads or thicker.
3. Insulate spliced leads with twist-on wire connectors. Fold and seal unused leads. Use wire ties and hold-downs for strain relief.

Figure 11 Connections for the Park Input circuit



## Speaker Connections (Cable Assembly P/N 17500307)

The SSP2000B siren amplifier operates with one 11 ohm impedance, 100 W speaker.

The SSP3000B is designed to operate with one or two 11 ohm impedance, 100 W speakers. Software-configurable options include a variety of siren tones, horn ring transfer, slide switch operation, and siren activation or siren mute.

**NOTICE**

**WIRING PRECAUTION: Do not connect the brown zip cord wires to the speaker. Failure to follow this precaution may damage the speaker system.**

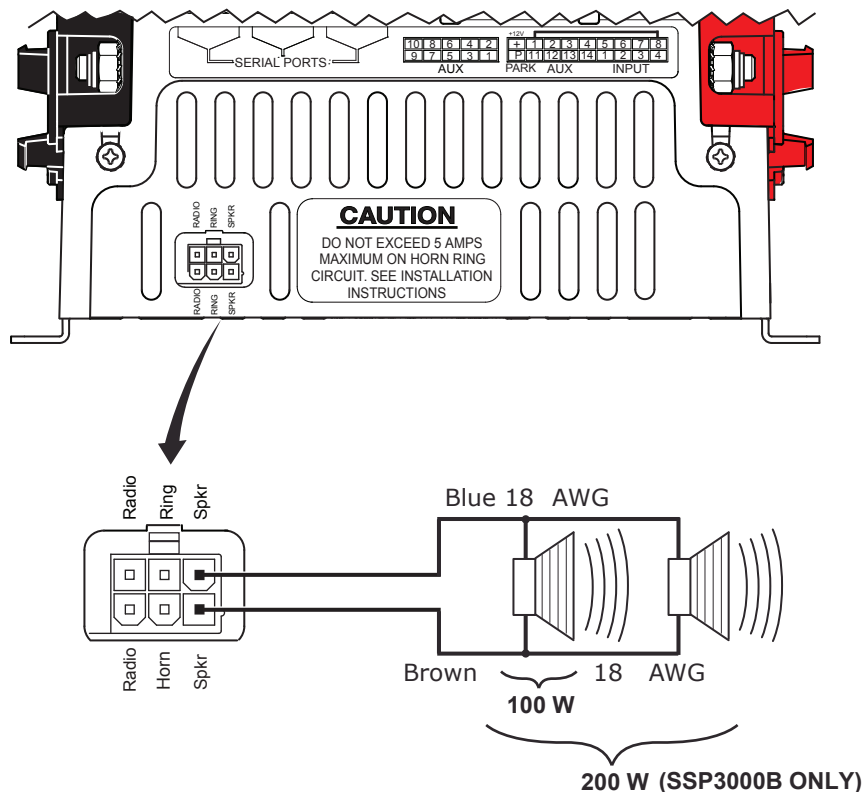
To connect one speaker:

1. Use 18 AWG wire to connect one speaker lead to the blue lead from the cable assembly.
2. Use 18 AWG wire to connect the other speaker lead to the single brown lead from the cable assembly.

To connect two speakers (SSP3000B only):

Connect the speakers in parallel and in phase to the blue lead and the single brown lead from the cable assembly. When finished, insulate spliced leads with twist-on wire connectors. Fold and seal unused leads.

**Figure 12 Connections for two speakers**



## Horn Ring Transfer (Cable Assembly 17500307)

The default setting for the slide switch transfers the horn-ring activation of the siren in Slide Switch 2 and 3. In Slide Switch 2, a press of the horn button activates the Manual tone. In Slide Switch 3, each press of the horn button cycles through a siren function, such as tones or air horn, assigned to horn-ring transfer via the Convergence Configuration Software. In addition, the default configuration for Slide Switch 3 is Siren Dependent Enabled, which restricts siren activation to the slide switch position you select. For example, if you press a button that is assigned a siren tone, the tone only activates when you place the slide switch in the position that is Siren Dependent Enabled.

**NOTE:** The horn ring circuit can be programmed as active high or active low as described in “Setting Control Head Options” on page 42.

To enable horn-ring control of siren tones, obtain a SPST relay of enough contact-current capacity to activate the vehicle horn:

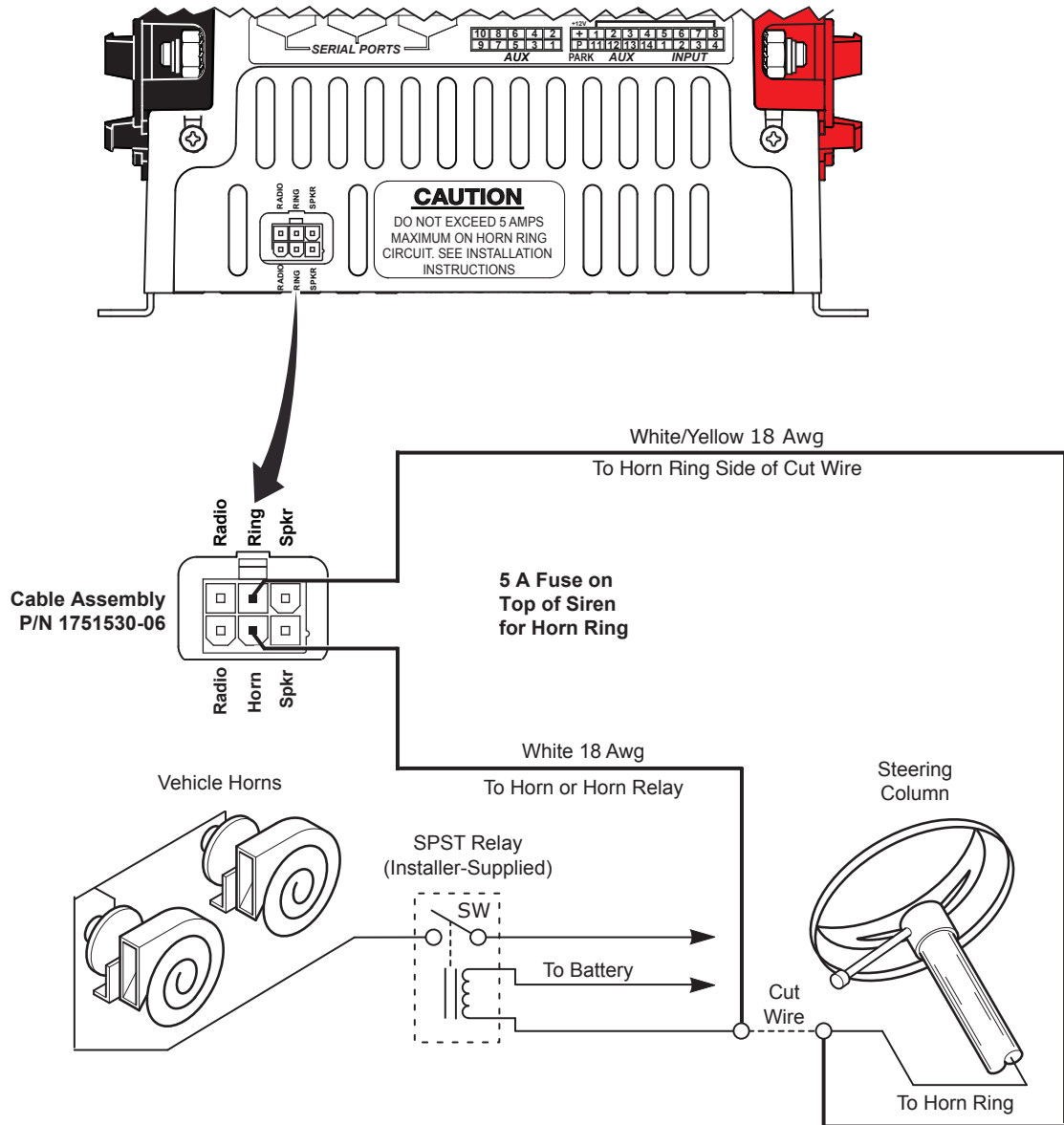
1. Cut the wire that connects the switch for the vehicle horn ring to the horn or horn relay. See Figure 13 on page 30.
2. Splice the white/yellow wire from the power cable to the horn ring side of the wire that you cut in step 1.

**NOTICE**

***DETERMINE CURRENT FOR HORN: The siren’s horn ring transfer circuit can switch a maximum of 5 A. Some vehicles do not have a horn relay, and, consequently, will draw more than 5 A when the vehicle horn is activated. Consult your vehicle service manual or a qualified mechanic to determine the current required to activate the horn. If it is less than 5 A, perform step 3. If it is greater than 5 A, perform steps 4 through 9.***

3. Splice the white wire from the power cable to the horn side of the cut wire.
4. Mount the SPST relay in a suitable location.
5. Connect the horn side of the wire cut in step 1 to the relay-contact terminal.
6. Determine the “sense” of the vehicle’s horn ring activation circuit. Does the horn circuit require a switched positive (active-low) voltage or switched ground (active-high) for activation?
7. Connect the switched relay-contact terminal to the positive or negative potential you determined in step 6.
8. Connect the white wire from the power cable to one end of the relay coil.
9. Connect the other end of the relay coil to the opposite potential of that connected to the switched relay contact terminal in step 7.
10. Insulate the spliced leads with twist-on wire connectors. Fold and seal unused leads.

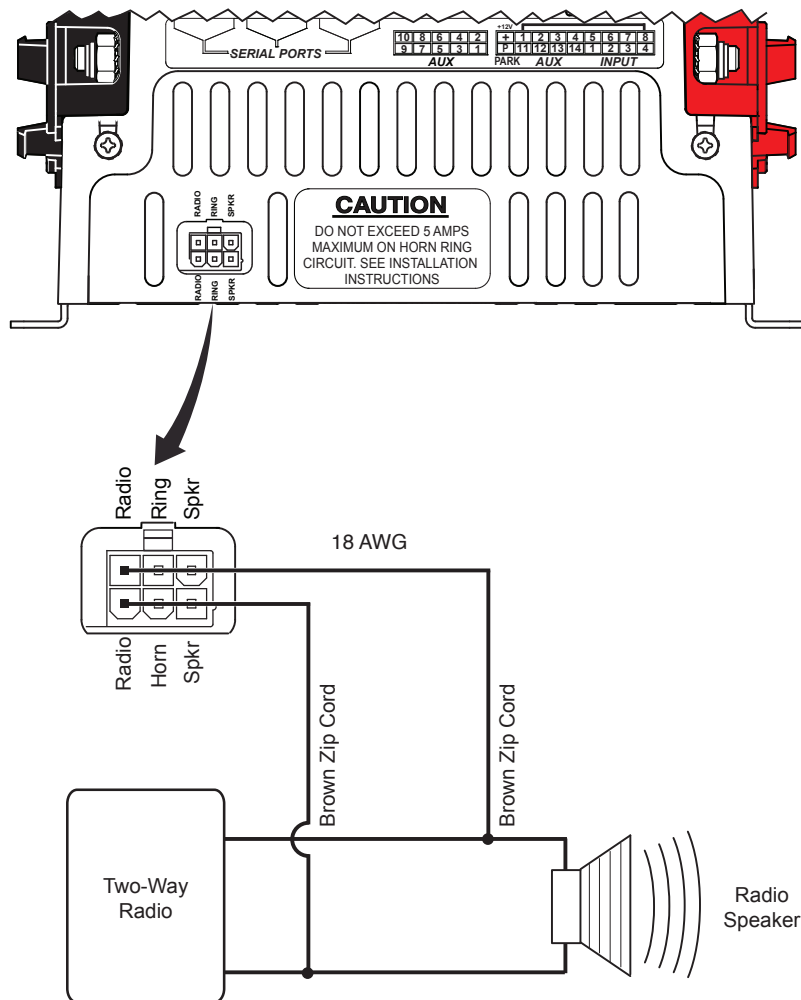
Figure 13 Connections for horn-ring transfer circuit



## Radio Rebroadcast (Cable Assembly 17500307)

To allow incoming two-way radio messages to be amplified by the siren amplifier/relay module and rebroadcast over the siren speakers, connect the brown 18 AWG two-conductor zip-cord across the speaker of the two-way radio. See Figure 14. Insulate spliced leads with twist-on wire connectors. Fold and seal unused leads. For instructions on adjusting the gain, see “Setting the Gain for Radio Rebroadcast” on page 37.

Figure 14 Connections for radio rebroadcast



## Connecting the Control Head

In addition to the connection through the 25-foot Convergence Network cable, the control head has:

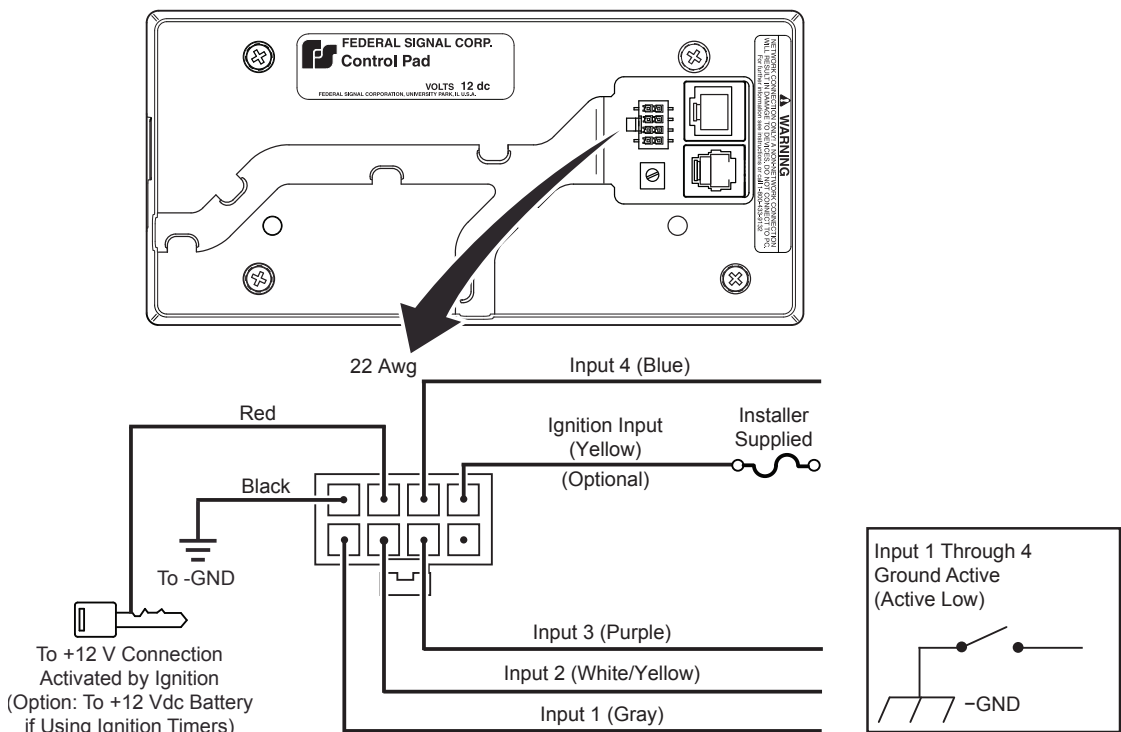
- Connections for four active-low input circuits that activate when pulled to ground (17500308)
- Connections to the siren for battery ground (-GND) and +12 Vdc switched by ignition or battery +12 Vdc for ignition timers (17500308)
- Connection for optional ignition sense (+12 Vdc) for ignition timers (17500308)
- Connection for the Federal Signal public address microphone (258B577-03)
- 25-foot cable that connects the control head to the siren amplifier (1751537-02)

The next sections describe how to connect the control head to the network.

## Connecting the Active-Low Input Circuits (Cable Assembly 17500308)

Cable assembly 17500308 includes 18-inch, 22 AWG wires for four active-low circuit inputs. Figure 15 shows the connectors for the four input leads on the back of the control head. Similar to the siren relay circuits, **Inputs 1 to 4** are most commonly used for circuits that send a signal to the Convergence Network system when a condition in the vehicle changes. Changes in conditions may include the opening of a trunk or door, a rise in vehicle temperature, or the release of a gun lock. The inputs are often used for police vehicle anti-theft devices, intrusion alarms, and temperature monitoring systems for K9 vehicles.

Figure 15 Connections for the control head





Each input circuit can be programmed to activate with an installer-supplied switch having a current capacity of 100 mA , with the SSP3000B control head, or with the two-way switches on the steering wheel of the Ford Police Interceptor. For the location of the vehicle 14-way connector for the ground-sourcing outputs, refer to the Ford Police Interceptor Modifier Manual.

For programming information, see the Convergence Configuration Software Manual. For a chart showing the default configurations for the control head and for the steering wheel switches connected to the four low-input circuits, see Figure 25 on page 43.

### Connecting Ignition Power to the Control Head (without Ignition Timer)

The red and black leads from the control head supply power to the SSP3000B system when the vehicle ignition key is in the ignition (start) position. See Figure 15 on page 32.

To connect the control head to ignition power:

1. Use a multimeter to determine which source provides power when the vehicle key is in the ignition position.
2. Connect the red lead from the control head to the switched side of the vehicle ignition harness. **Do not splice the red lead to the power leads for accessories.** Extend the lead with 22 AWG leads or thicker.
3. Connect the black lead from the control head to negative ground. Extend the lead with 22 AWG leads or thicker.
4. Insulate spliced leads with twist-on wire connectors. Fold and seal unused leads. Use wire ties and hold-downs for strain relief.

### Connecting Power to the Control Head (with Ignition Timer)

The SmartSiren Platinum system has an optional ignition timer function (Keep-Alive Timeout) that enables public safety personnel to use mobile equipment for a set period of time with the engine turned off. The function insures that the battery has enough power to start the vehicle. Mobile equipment includes any device that is charged from the vehicle battery or requires power after ignition is removed, such as flashlights, laptops, radios, and digital recorders.

Four independent time delays are available ranging from immediately off to four hours on. The ignition timer is not enabled by default and is programmed with the Convergence Network Configuration software using the amplifier input buttons. Do not connect anything to the amplifier input wires selected for the ignition timer.

The red and black leads from the control head supply power from the vehicle battery to the SmartSiren Platinum System. The yellow ignition wire activates the system when the ignition key is in the start position.

Additionally, the ignition timer can keep alive the SmartSiren Platinum and other Convergence Network devices for a set amount of time after ignition is removed. The control head ignition Timeout is set through the control head. For instructions, see “Configuring Keep-Alive Timeout” on page 44.

## Connecting the Convergence Network

To connect the control head to ignition power:

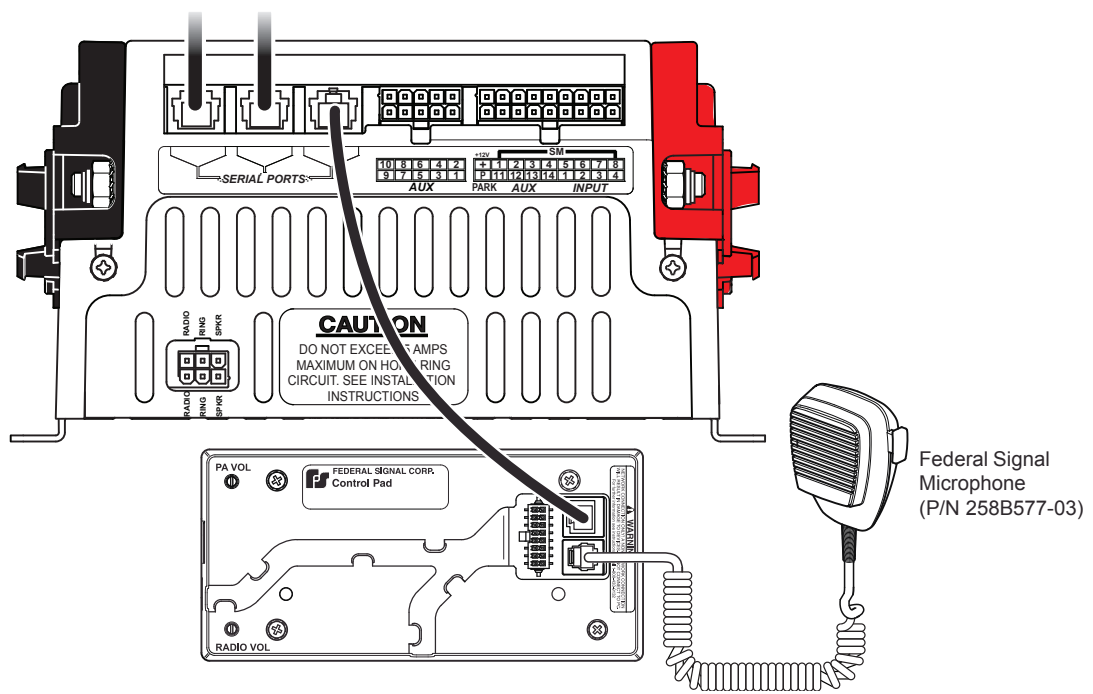
1. Use a multimeter to determine which source provides power when the vehicle key is in the ignition position.
2. Connect the yellow lead from the control head to the switched side of the vehicle ignition harness. Extend the lead with 22 AWG leads or thicker.
3. Connect the red lead from the control head to a constant +12 Vdc from the battery. Do not splice the red and yellow leads to the power leads for accessories. Extend the lead with 22 AWG leads or thicker.
4. Connect the black lead from the control head to negative ground. Extend the lead with 22 AWG leads or thicker.
5. Insulate spliced leads with twist-on wire connectors. Fold and seal unused leads. Use wire ties and hold-downs for strain relief.

## Connecting the Federal Signal Microphone (P/N 258B8577-03)

The microphone provides high quality voice reproduction in for public address over the siren speakers. The microphone push-to-talk switch overrides all siren functions, except radio rebroadcast, for instant PA use. The microphone connection is not required for the siren to operate properly.

To attach the microphone cable to the control head, insert the modular telephone-type plug in the microphone jack until it locks. For instructions on adjusting the PA volume, see “Setting the Gain for Public Address (Microphone Volume)” on page 38.

**Figure 16 Microphone connected to the control head**



## Connecting the Siren to the Battery

This section has instructions for making the power connections from the SmartSiren® to the battery. Required are an installer-supplied in-line fuse and wiring of an amperage capacity sufficient to handle the total vehicle electrical loads.

**⚠ WARNING**

***EXPLOSION HAZARD: To avoid a battery explosion, always disconnect the negative battery cable first and reconnect it last. Avoid causing a spark when connecting near or to the battery. The gases produced by a battery can cause a battery explosion that could result in vehicle damage and serious injury.***

**⚠ WARNING**

***HIGH CURRENT ARCING: Do not connect this system to the vehicle battery until ALL other electrical connections are made and you have verified that no shorts exist. High current conductors can cause hazardous sparks or burning wire, resulting in electrical fires.***

## Preparing to Connect the Power Leads

Before connecting the amplifier/relay module to the battery, take these preparatory steps to ensure that your final installation goes smoothly:

1. Check all connections and wiring to ensure that they are correct and secure.
2. Ensure that there are no loose strands or other bare wires that may cause a short circuit. Protect all wires from any sharp edges that could eventually cut through the insulation.
3. Verify that all other electrical connections are completed and that no shorts exist.
4. Use an ohmmeter to verify that a short circuit does not exist between the positive (+) and negative (–) battery cable leads. Also, there must be no short circuits between the positive wires and the vehicle chassis.

## Connecting the Power Leads to the Vehicle Battery

The installer-supplied red (positive) and black (negative ground) power leads from the siren amplifier/relay module to the vehicle battery should be as short and direct as possible. See Figure 16 on page 34.

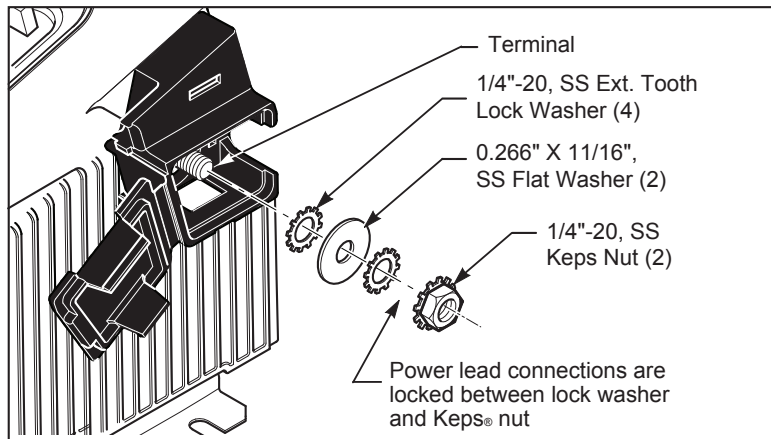
1. Route the red lead and black lead from the siren to the battery.
2. Crimp a ring terminal on the red lead and connect it through an in-line fuse to the positive (+12 V) battery terminal. The fuse must be of an amperage capacity sufficient to handle the total vehicle electrical loads.
3. Crimp a ring terminal on the black lead and connect it to the negative (–NEG) battery terminal.

## Connecting the Convergence Network

---

4. Reconnect the positive cable to the vehicle battery and tighten the clamp.
5. Reconnect the negative cable to the vehicle battery and tighten the clamp.

**Figure 17 Negative ground connection for the control head**



## Setting the Gain for Radio Rebroadcast and PA

The radio rebroadcast feature allows incoming two-way radio messages to be amplified by the siren amplifier/relay module and rebroadcast over the siren speakers of the SSP3000B system. The feature overrides all sirens functions. Button 7 is programmed as the default control for radio rebroadcast.

The gain control for radio rebroadcast is a recessed potentiometer on the front of the siren amplifier/relay module. See Figure 19 on page 38. Wiring connections are described in “Radio Rebroadcast (Cable Assembly 17500307)” on page 31.

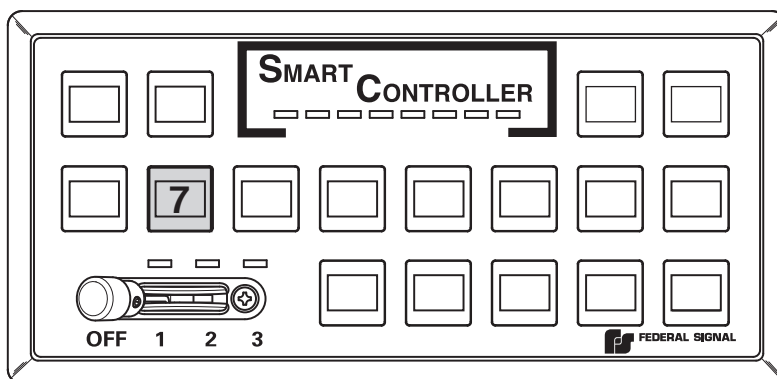
For public address, the Smart Siren Platinum System includes a microphone that connects to a serial port on the back of the control head. When the operator presses the microphone push-to-talk button and speaks into the microphone, the operator’s voice is amplified and broadcast over the siren speakers. The primary control for adjusting the PA gain is a recessed potentiometer on the front of the siren amplifier/relay module. See Figure 20 on page 38. A secondary control for the PA gain is a recessed potentiometer on the back of the control head. See Figure 21 on page 38.

### Setting the Gain for Radio Rebroadcast

To adjust the gain for radio rebroadcast:

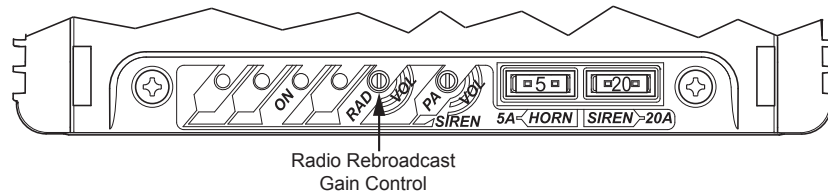
1. Stand outside the vehicle in an enclosed area and turn on the two-way radio.
2. Adjust the volume level of the radio to its normal operating volume.
3. Press Button 7 on the control head to turn on radio rebroadcast. See Figure 18.

**Figure 18 Default control head button for radio rebroadcast**



4. Stand outside of the vehicle and note the volume level of the radio rebroadcast. If the volume is too loud or too soft, insert a small flat-head screwdriver in the gain control port for radio rebroadcast (RAD VOL) on the front of the siren amplifier/relay module. See Figure 19. Turn it counter-clockwise to increase the volume until audio feedback (squeal) occurs or clockwise to decrease the volume.
5. To turn off radio rebroadcast, press Button 7.

Figure 19 Gain control for radio rebroadcast (siren amplifier/relay module)



## Setting the Gain for Public Address (Microphone Volume)

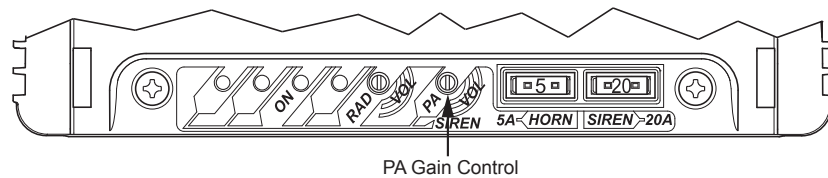
The PA gain control port on the front of the siren amplifier is for select models that require the microphone to be connected to the siren.

To adjust the PA gain:

1. Stand outside the vehicle in an enclosed area and press the push-to-talk button on the control head microphone. Speak into the microphone in a normal tone of voice.
2. If the speaker volume is too loud or too soft, insert a small screwdriver in the PA gain control port (PA VOL) on back of the control head. See Figure 20. Turn it clockwise to increase the volume until audio feedback (squeal) occurs or counter-clockwise to decrease the volume.

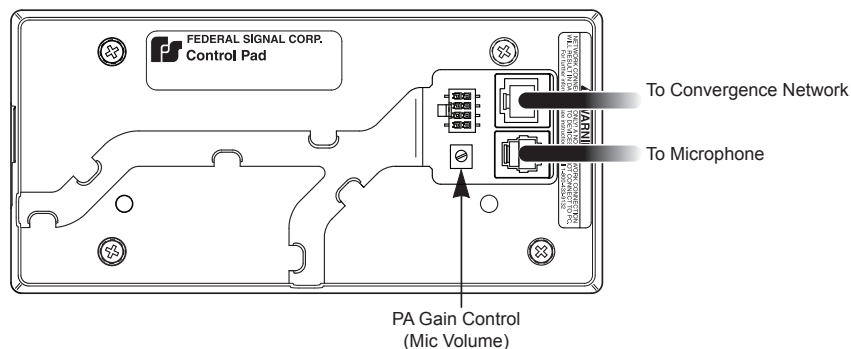
**NOTE:** Audio feedback depends upon the microphone gain, open windows, speaker placement, and the proximity of reflecting surfaces such as walls, buildings, or other vehicles.

Figure 20 Gain control for PA (amplifier/relay module)



3. To adjust the PA gain further, insert a small flat-head screwdriver in the PA gain control port (PA VOL) on the back of the control head. See Figure 21. Turn it counter-clockwise while speaking into the microphone to increase the gain to just below the point where audio feedback occurs.

Figure 21 Gain control for PA (control head)



290A7558

## Mounting the Siren and Control Head

The next step in the installation after wiring and connecting the SSP3000B/SSP2000B system is to permanently mount the siren amplifier/relay module and control head in the vehicle. Verify that the mounting locations you selected earlier are safe for installing these components. Before proceeding, review the following precautions before mounting the equipment.

### **▲ WARNING**

**AIRBAG DEPLOYMENT:** Do not install equipment or route wiring in the deployment path of an airbag. Failure to observe this warning will reduce the effectiveness of the airbag or potentially dislodge the equipment, causing serious injury or death.

### **▲ WARNING**

**SEAT REMOVAL PRECAUTION:** If a vehicle seat is temporarily removed, verify with the vehicle manufacturer if the seat needs to be recalibrated for proper airbag deployment.

### **NOTICE**

**UNRESTRICTED AIR FLOW REQUIRED (SSP3000B ONLY):** The siren amplifier is cooled by an internal fan. Do not install it in areas where air flow is restricted. Do not mount the unit near a heater duct or under the hood.

### **NOTICE**

**MODULE IS NOT WATERPROOF:** The housing of the siren amplifier/relay module is NOT waterproof. The module must be mounted in a location that is sheltered from falling rain, snow, standing water, etc.

## Mounting the Siren Amplifier/Relay Module

Installer-supplied #10-32 mounting hardware is required to mount the siren amplifier/relay module.

### **Tools needed:**

- #18 tap drill for steel and iron
- Phillips screwdriver
- Pencil or felt-tip pen for marking drill locations

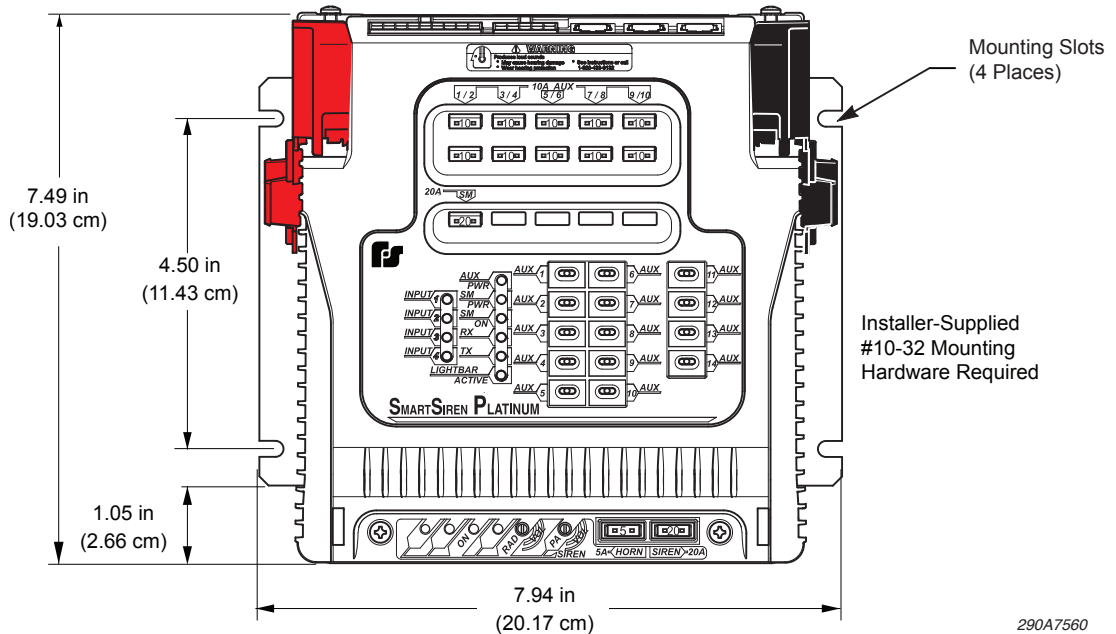
To mount the siren amplifier/relay module in the vehicle:

1. Use the base of the siren amplifier/relay module as a template or the dimensions shown in Figure 22 to mark the centers of the four mounting holes.

### **NOTICE**

**DRILLING PRECAUTIONS:** When drilling holes, check the area you are drilling into to ensure that you do not damage vehicle components while drilling. All drilled holes should be de-burred, and all sharp edges should be smoothed. All wire routings going through drilled holes should be protected by a grommet or convolute/split loom tubing.

Figure 22 Slots for mounting hardware



2. Tap and drill the center of the four mounting holes.
3. Center the slots in the base of the siren amplifier/relay module over the drilled holes and secure it with the installer-supplied #10-32 mounting hardware.

## Mounting the Control Head

The control head comes with two mounting brackets and mounting hardware.

### Tools needed:

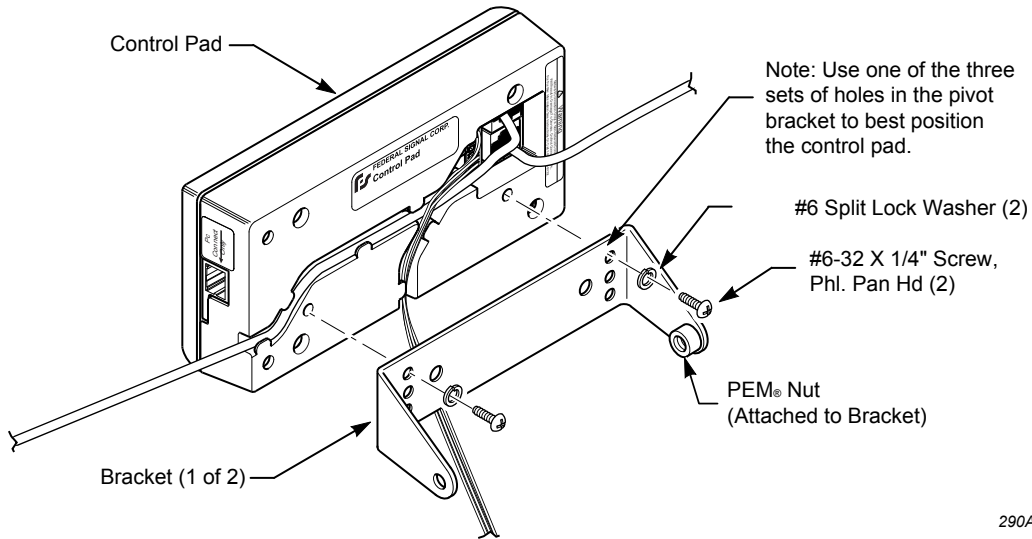
- Drill with #9 drill bit
- Phillips screwdriver
- 7/16-inch nut driver
- Pencil or felt-tip pen for marking drill position locations

To mount the control head:

1. Secure a bracket to the control head with the 6-32 by 1/4-inch Phillips screws and #6 lock washers. See Figure 23 on page 41.
2. Using a 7/16-inch nut driver, secure the other bracket to the control head/bracket assembly with the 1/4-20 by 3/4-inch hex head screws and 1/4-inch lock washers. See Figure 24 on page 41.
3. Use the mounting bracket as a template and scribe two drill position marks at the selected mounting location.



Figure 23 Bracket attached to back of control head

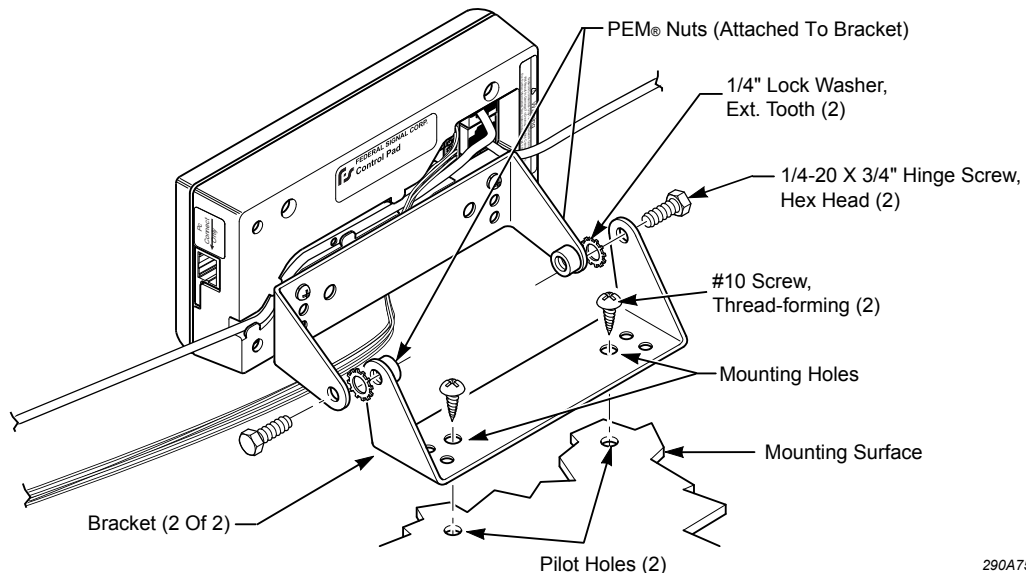


**NOTICE**

**DRILLING PRECAUTIONS:** When drilling holes, check the area you are drilling into to ensure that you do not damage vehicle components while drilling. All drilled holes should be de-burred, and all sharp edges should be smoothed. All wire routings going through drilled holes should be protected by a grommet or convolute/split loom tubing.

4. Drill two pilot mounting holes at the drill position marks.
5. Secure the mounting bracket to the mounting surface with the #10 thread-forming screws. See Figure 24.
6. To adjust the angle of the control head, loosen the hinge screws, tilt the control head forward or backward, and then securely tighten the screws.

Figure 24 Brackets attached to control head and mounting surface



### Setting Control Head Options

The SmartSiren Platinum control head has these configurable features:

- A notification beep that sounds every ten seconds when one or more functions or devices in the system, such as a light bar, is activated. The default setting is “on.”
- Step-through selection of one of four levels of LED dimming, including “off.” The default setting is at the brightest level
- Selection of active-high activation of the Park Input circuit
- Selection of active-high activation of the horn-ring transfer circuit
- The operation and control of network devices, which are resettable to the factory-default configuration. See Figure 27 on page 47 or Figure 28 on page 47 and the Convergence Configuration Software Manual, doc. no. 2562418.
- Keep alive timeout if using the ignition timer. The default setting is immediately with the ignition timer function.

To help you confirm your selection, the button you press glows while the control head beeps every 10 seconds. Additionally, one or more amber LEDs turn on in the row at the top of the control head. See Figure 25 on page 43. These LEDs identify the button and its associated setting. These LEDs identify the button and its associated setting.

### Entering Program Mode

To set the control head options, first enter Program Mode:

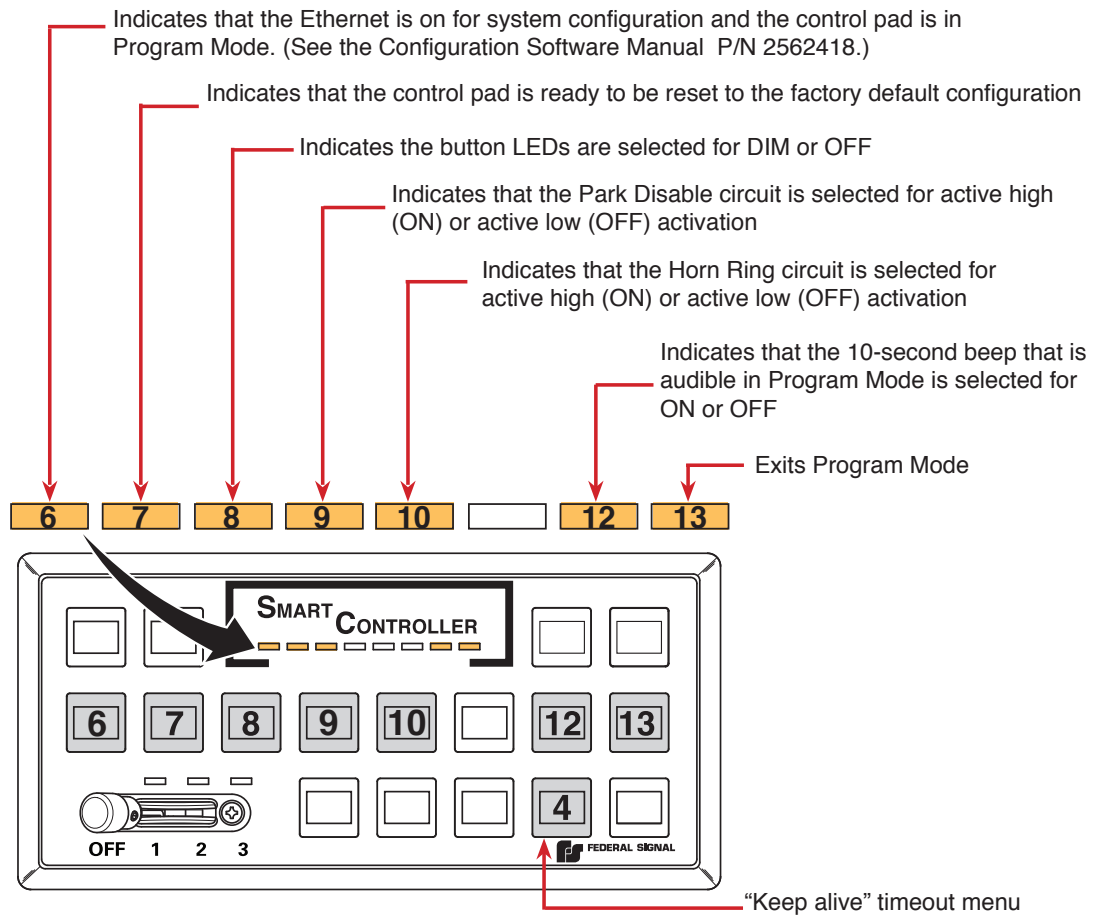
1. Press and hold Button 6 while powering up the control head. See Figure 25 on page 43.
2. During the long beep, release Button 6. The control head beeps continuously.
3. Verify that the first amber LED is on.

### Turning Off or On the 10-Second Notification Beep

The control head beeps every 10 seconds when you are in Program Mode. To turn the beep off or on:

1. While in Program Mode, press Button 12. See Figure 25 on page 43.
2. To continue, select another setting to change or press Button 13 to exit Program Mode. Verify that the last amber LED turns on when you exit.
3. To continue, select another setting to change or press Button 13 to exit Program Mode. Verify that the last amber LED turns on when you exit.

**Figure 25 LEDs and buttons associated with Program Mode settings**



### Selecting Active-High Activation of Horn-Ring Transfer

For instructions on connecting the horn-ring circuit for siren-tone control, see “Horn Ring Transfer (Cable Assembly 17500307)” on page 29.

The default setting is active-low.

To select active-high activation of the Park Input feature:

1. While in Program Mode, press Button 10. LED 10 in Figure 25 turns on.
2. To continue, select another setting to change or press Button 13 to exit Program Mode. Verify that the last amber LED turns on when you exit.

### Selecting Active-High Activation of the Park Input Circuit

For instructions on connecting the control head to the Park Input circuit, see “Park Input (Cable Assembly 1751542-01 or 1752542-NY)” on page 27.

The default setting is active-low. To select the active-high activation of the Park Input feature:

1. While in Program Mode, press Button 9. LED 9 in Figure 25 turns on.
2. To continue, select another setting to change or press Button 13 to exit Program Mode. Verify that the last amber LED turns on when you exit.

### Dimming or Turning Off the Button LEDs

To dim or turn off the button LEDs:

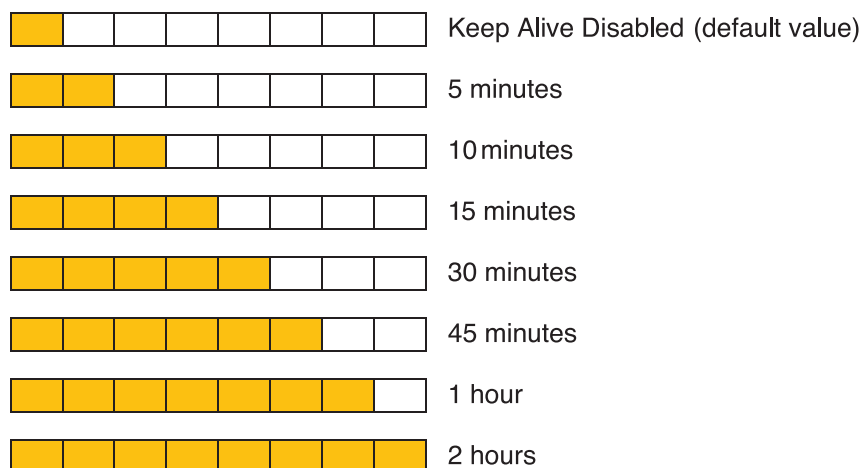
1. While in Program Mode, press Button 8 up to four times to step through decreasing levels of brightness. See Figure 25 on page 43. To turn off the LEDs, press Button 8 a fifth time.
2. To continue, select another setting or press Button 13 to exit Program Mode. Verify that the last amber LED turns on when you exit.

### Configuring Keep-Alive Timeout

For instructions on connecting the ignition sense, see “Connecting Power to the Control Head (with Ignition Timer)” on page 33. The default setting is to disable the control head immediately with ignition. To maintain power to the SmartSiren Platinum control head and other Convergence Network devices after ignition is removed:

1. While in Program Mode, press Button 4. The first press enters the Keep Alive Timeout menu, and Button 4 starts flashing. Press Button 4 to increase the length of time the control head stays alive. The amber LEDs indicate the timeout level. See Figure 26.
2. To return to the Program Menu, press any other button or wait five seconds. To continue, select another setting or press Button 13 to exit Program Mode. Verify that the last amber LED turns on when you exit.

**Figure 26 Keep-Alive Timeout durations**



### Resetting the Control Head to the Factory Default Configuration

To reset the operation and control of network devices to the factory default:

1. While in Program Mode, press Button 7. See Figure 25 on page 43.
2. To continue, select another setting to change or press Button 13 to exit Program Mode. Verify that the last amber LED turns on when you exit.

### Exiting Program Mode

To exit Program Mode

1. Press Button 13. See Figure 25 on page 43.
2. Verify that the last amber LED turns on when you exit.

## Testing the Convergence Network Installation

**⚠ WARNING**

**SOUND HAZARD:** *All effective sirens and horns produce loud sounds (120 dB) that may cause permanent hearing loss. Always minimize your exposure to siren sounds and wear hearing protection. Do not sound the siren indoors or in enclosed areas where you and others will be exposed to the sound.*

**⚠ WARNING**

**LIGHT HAZARD:** *To be an effective warning device, an emergency warning system produces bright light that can be hazardous to your eyesight when viewed at a close range. Do not stare directly into this lighting product at a close range, or permanent damage to your eyesight may occur.*

The control head is programmed with a default configuration that you can use to quickly check your initial installation of the SSP3000B system before you configure the control head. For illustrations showing the default configurations for the control head and for the steering wheel switches (if connected to the four control head input circuits), see page 47 for the SSP2000B and page 48 for the SSP3000B. For the default configuration for steering wheel switches wired to control head for both the SSP2000B and SSP3000B, see Figure 31 on page 49.

When you test the system, be sure to note the status of the LED indicators in the externally mounted fuses of the siren amplifier/relay module. Also note the activity of the LEDs just below the surface of the module. The illustrations on the following pages describe what each LED indicates. Also verify that the 10-second function notification beep and lightning options of the control head work as expected.

In addition, test all vehicle functions, including horn operation, vehicle safety functions, and vehicle lighting systems for proper operation. Ensure that the installation has not affected the vehicle operation or changed any vehicle safety functions or circuits. Do not test the sound and light system of the vehicle while driving. Operating the vehicle warning system may pose a hazard to the operator and other drivers if the system does not function as expected. Test the vehicle only in a controlled environment. After testing is complete, provide a copy of this manual to the instructional staff and all operating personnel.

Figure 27 SSP2000B default configuration for control head

|  |   |  |   |  |   |   |   |   |   |
|--|---|--|---|--|---|---|---|---|---|
| <b>Signal Master</b><br>Rear Light Bar<br>Left, Right, Center Out  | Warn<br>SignalMaster™<br>Rear Light Bar<br>Step-Through Warning Patterns 1 to 4   |  |   |  |   | <h1>SSP2000B</h1>   |   | Button 14<br>Button Control: Push On/Off<br><br>Light Bar: Dimming LB | Button 15<br>Button Control: Push On/Off<br><br>Rear Light Cutoff |
|  | Button 6<br>Button Control: Exclusive<br><br>Siren: Standby   | Button 7<br>Button Control: Exclusive<br><br>Siren: Radio  | Button 8<br>Button Control: Push On/Off<br><br>Light Bar: Scene Light<br><br>Relay: Active Hi/Lo 10 A<br>Steady On<br>Active High<br>Open Off | Button 9<br>Button Control: Exclusive<br><br>Siren: On Power Up Wail | Button 10<br>Button Control: Exclusive<br><br>Siren: Yelp             | Button 11<br>Button Control: Exclusive<br><br>Siren: Priority                         | Button 12<br>Button Control: Momentary<br><br>Siren: Manual   | Button 13<br>Button Control: Momentary<br><br>Siren: Air Horn         |   |
| Slide Switch 1<br>Button Control: Momentary<br><br>Front Light Cutoff<br><br>Light Bar: Pattern 10<br><br>Active Hi 10 A Relay 1: Active High Steady On Open Off | Slide Switch 2<br>Button Control: Momentary<br><br>Light Bar: Pattern 17<br><br>Horn Ring Transfer<br><br>Active Hi 10 A Relays 1-3: Active High Steady On Open Off | Slide Switch 3<br>Button Control: Momentary<br><br>Flash Take-down/Alley<br><br>Light Bar Pattern 26<br><br>Siren Dependent Enabled<br>Horn Ring Transfer<br><br>Active Hi 10 A Relays 1-5: Active High Steady On Open Off | Button 1<br>Button Control: Push On/Off<br><br>Light Bar: Left Alley  | Button 2<br>Button Control: Push On/Off<br><br>Light Bar: Takedowns  | Button 3<br>Button Control: Push On/Off<br><br>Light Bar: Right Alley | Button 4<br>Button Control: Timer 8 Seconds<br><br>Light Bar: Intersection Pattern 22 | Button 5<br>Button Control: Security Timer 8 Seconds<br><br>Active Hi 10 A Relay 6: Active High Steady On |   |   |

Figure 28 SSP2000B control head and ignition timer inputs

|   |   |   |   |  |  |   |  |   |   |
|---|---|---|---|--|--|---|--|---|---|
| <b>Control Head Input 1</b><br><br>Button Control: Momentary<br><br>Active Slide Switch 1 | <b>Control Head Input 2</b><br><br>Button Control: Momentary<br><br>Active Slide Switch 2 | <b>Control Head Input 3</b><br><br>Button Control: Momentary<br><br>Active Slide Switch 3 | <b>Control Head Input 4</b><br><br>Button Control: Momentary<br><br>Active Button 2 | <b>Amperage Input 1 Ignition Timer</b><br><br>Button Control: Momentary<br><br>Active Hi 2 A Output Relay 11 | <b>Amperage Input 2 Ignition Timer</b><br><br>Button Control: Momentary<br><br>Active Hi 2 A Output Relay 12 | <b>Amperage-Input 3 Ignition Timer:</b><br><br>Button Control: Momentary<br><br>Active Hi 2 A Output Relay 13 | <b>Amperage Input 4 Ignition Timer</b><br><br>Button Control: Momentary<br><br>Active Hi 2 A Output Relay 14 | <b>Horn Ring</b><br><br>Button Control: Momentary<br><br>Siren: HR Manual | <b>Park Detect</b><br><br>Button Control: Momentary<br><br>Input Control: Siren Mute (except Air Horn and Manual)<br><br>Input Control: Light Bar: White Light Cutoff (in Park) |
|---|---|---|---|--|--|---|--|---|---|

## Testing the Convergence Network Installation

**Figure 29 SSP3000B default configuration for control head**

|  |  |   |   |  |  |   |   |  |   |
|--|--|---|---|--|--|---|---|--|---|
| <b>Signal Master</b><br>Rear Light Bar<br>8-Head Discrete<br>Left, Right, Center Out   |  | Warn<br>Step-Through Warning Patterns 1 to 4<br>Rear Light Bar<br>8-Head Discrete   |   | <h1>SSP3000B</h1>  |  |   |   | Button 14<br>Button Control: Push On/Off<br>Light Bar: Dimming | Button 15<br>Button Control: Push On/Off<br>Rear Light Cutoff |
| Button 6<br>Button Control: Exclusive<br>Siren: Standby  | Button 7<br>Button Control: Exclusive<br>Siren: Radio  | Button 8<br>Button Control: Push On/Off<br>10 A Relay 9<br>Active Hi/Lo: Steady On<br>Active Hi<br>Open Off   | Button 9<br>Button Control: Exclusive<br>Siren: On Power Up<br>Wail   | Button 10<br>Button Control: Exclusive<br>Siren: Yelp  | Button 11<br>Button Control: Exclusive<br>Siren: Priority  | Button 12<br>Button Control: Momentary<br>Siren: Manual                                 | Button 13<br>Button Control: Momentary<br>Siren: Air Horn   |  |   |
| Slide Switch 1<br>Button Control: Momentary<br>Light Bar: Front Light Cutoff<br>Pattern 10<br>Active Hi/Lo<br>10 A Relay: Steady On<br>Active Hi<br>Open Off | Slide Switch 2<br>Button Control: Momentary<br>Light Bar: Pattern 17<br>Horn Ring Transfer<br>Active Hi/Lo<br>10 A Relays 1-3:<br>Steady On<br>Active Hi<br>Open Off | Slide Switch 3<br>Button Control: Momentary<br>Flash Take-down/Alley<br>Light Bar: Pattern 26<br>Siren: Dependent Enabled<br>Horn Ring Transfer<br>Active Hi/Lo<br>10 A Relays 1-5:<br>Steady On<br>Active Hi<br>Open Off | Button 1<br>Button Control: Push On/Off<br>Light Bar: Left Alley<br>Active Hi/Lo<br>10 A Relay 6:<br>Steady On<br>Active H/L,<br>Open Off | Button 2<br>Button Control: Push On/Off<br>Light Bar: Takedowns<br>Active Hi/Lo<br>10 A Relay 7:<br>Steady On<br>Active High<br>Open Off | Button 3<br>Button Control: Push On/Off<br>Light Bar: Right Alley<br>Active Hi/Lo<br>10 A Relay 8:<br>Steady On<br>Active High<br>Open Off | Button 4<br>Button Control: Timer:<br>8 Second<br>Light Bar: Intersection<br>Pattern 22 | Button 5<br>Button Control: Security Timer:<br>8 Seconds<br>Active High/Low<br>10 A Relay 10:<br>Steady On<br>Active High<br>Open Off |  |   |

**Figure 30 SSP3000B control head and ignition timer inputs**

|  |  |  |  |   |   |   |   |  |   |
|--|--|--|--|---|---|---|---|--|---|
| <b>Control Head Input 1</b><br>Button Control: Momentary | <b>Control Head Input 2</b><br>Button Control: Momentary | <b>Control Head Input 3</b><br>Button Control: Momentary | <b>Control Head Input 4</b><br>Button Control: Momentary | <b>Amperage Input Ignition Timer</b><br>Button Control: Momentary | <b>Amperage Input Ignition Timer</b><br>Button Control: Momentary | <b>Amperage Input Ignition Timer</b><br>Button Control: Momentary | <b>Amperage Input Ignition Timer</b><br>Button Control: Momentary | <b>Horn Ring</b><br>Button Control: Momentary<br>Siren: Manual | <b>Park Detect</b><br>Button Control: Momentary |
|--|--|--|--|---|---|---|---|--|---|



Figure 31 Default configuration for steering wheel switches wired to control head

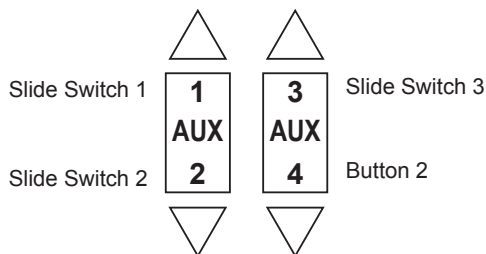


Figure 32 LED indicators and fuses on upper part of siren amplifier/relay module

**AUX 11–14:** LED flashes when the output is on for a 2 A auxiliary solid-state relay. These relays are active-high only and are internally protected by electronic short-circuit detection circuits.

**SM 20A:** 20 A fuse for the SignalMaster. (SSP3000B only)

**10 A AUX 1–10:** 10 A fuses for 10 A auxiliary solid-state relays. Relays 9/10 can be configured as 12 Vdc out or ground out. (Relays 7, 8, 9 are not available on the SSP2000B)

**AUX PWR:** LED glows in the SSP3000B when battery power and serial cable power are present.

**SM PWR:** LED glows in the SSP3000B when the SignalMaster has power.

**SM ON:** LED glows in the SSP3000B when the SignalMaster flashes a pattern.

**INPUT 1–4:** LEDs glow in the SSP3000B when an input is receiving a signal. Voltage and amperage are required for the signal.

In the SSP3000B each external mini ATM fuse has an integrated LED that glows when the fuse is blown.

The table identifies the color code and amperage.

| Color  | Amperage |
|--------|----------|
| Tan    | 5        |
| Red    | 10       |
| Yellow | 20       |

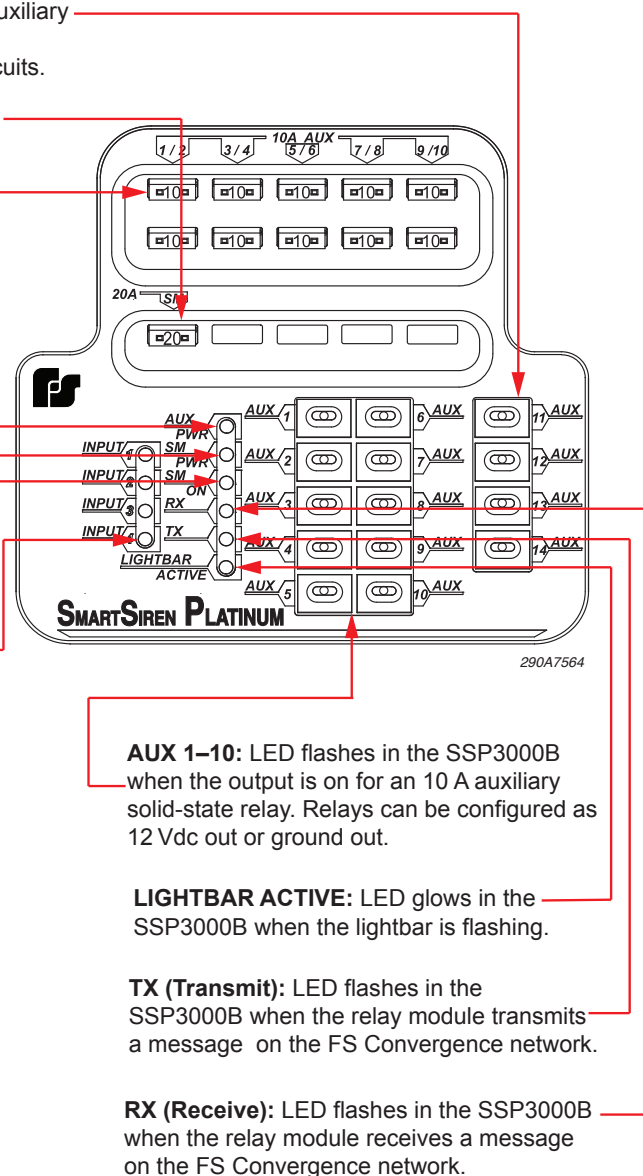
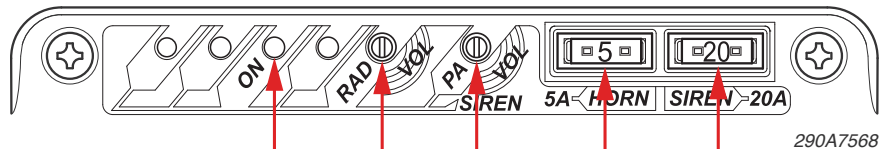


Figure 33 LED indicators on lower label of siren amplifier/relay module



**ON:** LED glows when the network has power.

**RAD VOL:** Screw for adjusting the factory-set radio volume.

**PA VOL:** Screw for adjusting the factory-set public address volume. (For special models with the microphone connected to the siren amplifier/relay module. This feature is unavail for most models.)

**5 A HORN:** 5 A fuse for horn ring circuit.

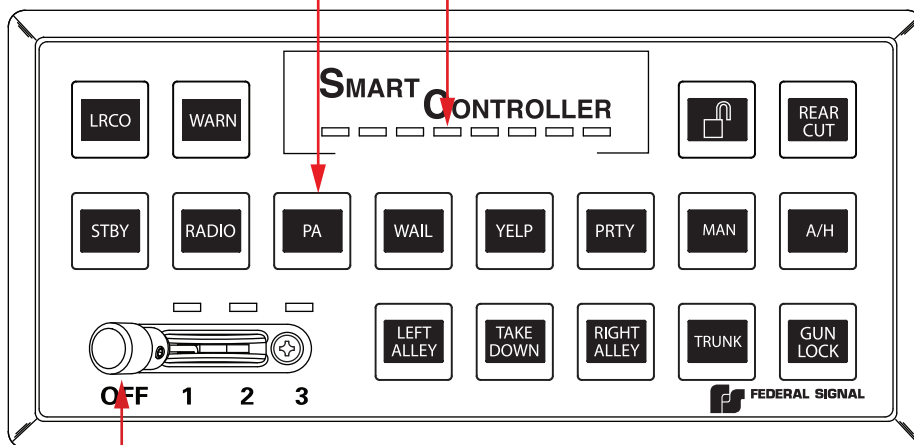
**SIREN 20 A:** 20 A fuse for the siren.

The control head legends in the illustration are for a typical configuration. The SSP3000B/SSP2000B kit includes additional legends. All buttons are programmable. For instructions for programming the control head, see the “SSP3000B Control Head Configuration Software Manual” (doc. no. 2562418).

Figure 34 LED programming indicators on the control head

**Button LEDs:** All buttons on the control head glow when the system is on. Pressed buttons blink to indicate that the function they control is active.

**SmartSiren® LEDs:** LEDs mimic these active SignalMaster patterns: Left, Right, Center-Out, or Warn patterns 1 to 4. They also indicate when a programmed feature of the key head is active (see “Setting Control Head Options” on page 43.)



**Slide Switch LEDs:** LEDs above the slide switch glow when the system is on (1=green, 2=amber, 3=red). The LED brightens above the position in which the slide switch is placed.

## Control Head Legends and Safety Messages

To complete the installation, the SmartSiren kit includes:

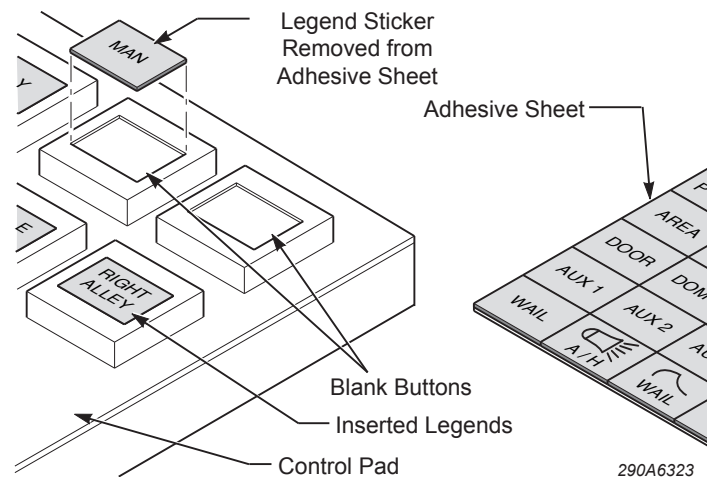
- A scored sheet of replaceable keyhead legends that identify the functions of the control head buttons (part no. 181460). Before installing the legends, configure the operation of the control head with the Convergence Configuration Software (see the Convergence Network Software Configuration Manual, part no. 2562418).
- A scored sheet of two labels with precautions to guard against hearing loss when operating the siren amplifier/relay module (part no. 1612339).
- A safety message card for operators of Federal Signal Sound and Light System (part no. 256B691).

### Applying the Replaceable Control Head Legends

To apply the legends:

1. Peel the appropriate legends from the sheet and apply them to the control head in the areas shown in Figure 35.
2. Verify that the label is properly tucked under the retaining ridge on the button.

**Figure 35** Installing the control head labels



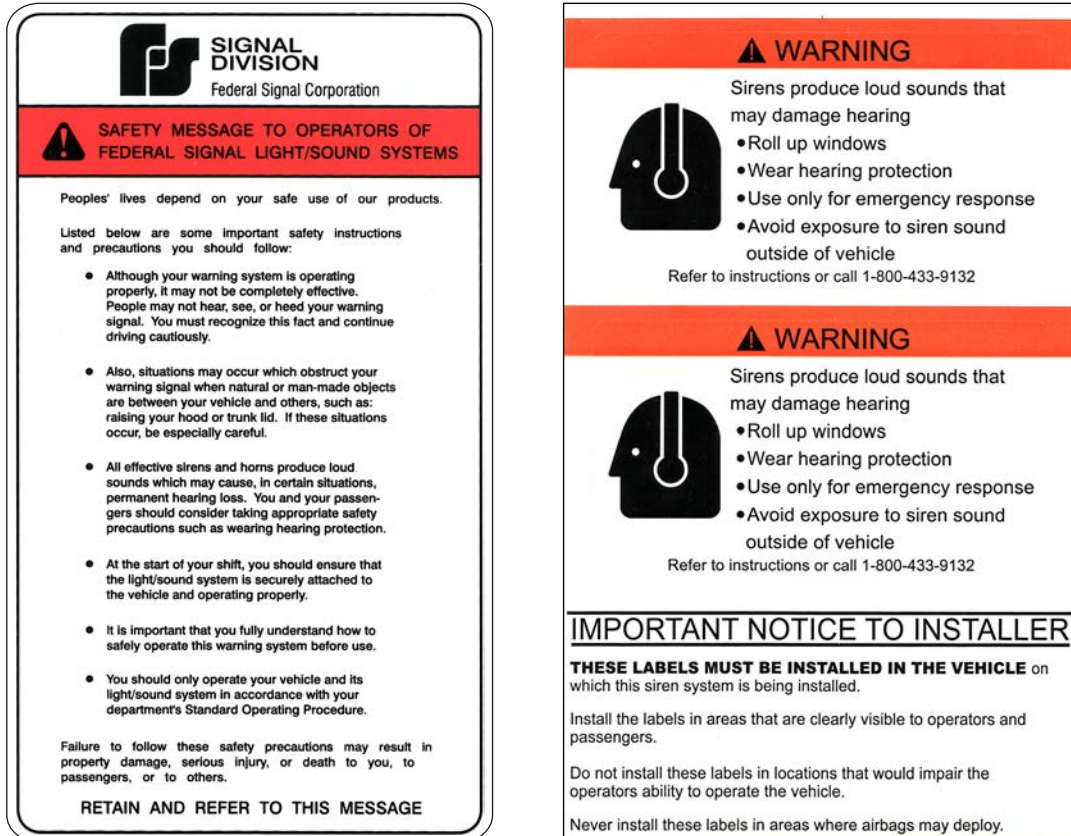
### Distributing the Safety Message Card

Give the operator of the system the card entitled “Safety Message to Operators of Federal Signal Light/Sound Systems” (part no. 256B691). See Figure 36 on page 52. The operator must read and understand the safety instructions and keep the card in the vehicle for reference.

## Applying the Siren Safety Labels in the Vehicle

The kit includes a sheet of two labels with siren safety messages (part no. 1612339). See Figure 36. These labels must be installed in the vehicle in which the system is installed. Install these labels in areas that are clearly visible to operators and passengers. Do not install the labels in locations that would impair the operators' abilities to operate the vehicle. Never install the labels in areas where airbags may deploy.

Figure 36 Safety message card (left) and siren safety labels (right)



## **Safety Messages to Personnel Servicing Federal Signal Electronic Sirens**

### **⚠ WARNING**

The people's lives depend on your proper servicing of Federal Signal products. It is important to read and follow all instructions shipped with the products. In addition, listed below are some other safety instructions and precautions you should follow:

- Read and understand all instructions in this manual before servicing the electronic siren or control head.
- To properly service an electronic siren or control head, you must have a good understanding of automotive electrical procedures and systems, along with proficiency in the installation and service of safety warning equipment. Always refer to the vehicle service manuals when performing service on a vehicle.
- Electronic repairs must be performed by a qualified and competent electronics technician.
- Your hearing and the hearing of others, in or close to your emergency vehicle, could be damaged by loud sounds. This can occur from short exposures to very loud sounds or from longer exposures to moderately loud sounds. For hearing conservation guidance, refer to federal, state, or local recommendations. OSHA Standard 1910.95 offers guidance on "Permissible Noise Exposure."
- All effective sirens and horns produce loud sounds (120 dB) that may cause permanent hearing loss. Always minimize your exposure to siren sound and wear hearing protection. Do not sound the siren indoors or in enclosed areas where you and others will be exposed to the sound.
- Do NOT connect this system to the positive terminal of the battery until servicing is complete and you have verified that there are no short circuits to ground.
- For the electronic siren to function properly, the ground connection must be made to the NEGATIVE battery terminal.
- After repair, test the electronic siren and speaker system to ensure that it is operating properly.
- Federal Signal siren amplifiers and speakers are designed to work together as a system. Combining a siren and speaker from different manufacturers may reduce the warning effectiveness of the siren system and may damage the components. You should verify or test your combination to make sure the system works together properly and meets both federal, state and local standards or guidelines.

Failure to follow all safety precautions and instructions may result in property damage, serious injury, or death.

## **Servicing the Convergence Network System**

Federal Signal recommends that the siren amplifier/relay module and control head be returned to your local distributor or Federal Signal for service. External components such as cabling, fuses, and the red and black insulators are available as replacement parts. See Table 10 on page 60. With the exception of the slide switch in the control head, there are no other user-serviceable parts within the control head or the siren amplifier/relay module. After servicing the system, test it to ensure that it is operating properly. For more information, see “Testing the Convergence Network Installation” on page 46.

### **Replacing the Slide Switch**

The slide switch can be removed from the control head for replacement or service without disassembling the entire control head. The slide switch is secured to the front of the control head by a bezel and two 1/4”-20 by 3/4-inch screws. The switch is connected to the four-pin J3 connector on the back of control head assembly, which lies below the logic control and power control PCBs and is easily accessible.

**NOTICE**

***STATIC-SENSITIVE DEVICE: The control head circuitry can be damaged by electrostatic discharge (ESD). Follow anti-static procedures while removing the slide switch.***

**Tools needed:**

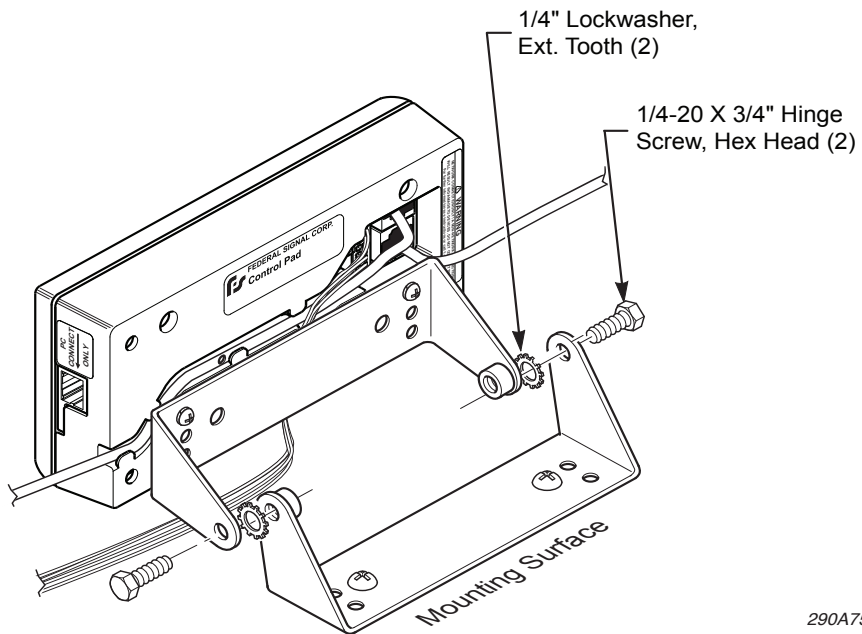
- 7/16-inch nut driver
- Small Phillips screwdriver
- Small needle-nose pliers
- 1/64-inch hex key wrench

### **Dismounting and Disconnecting the Control Head**

To remove the control head:

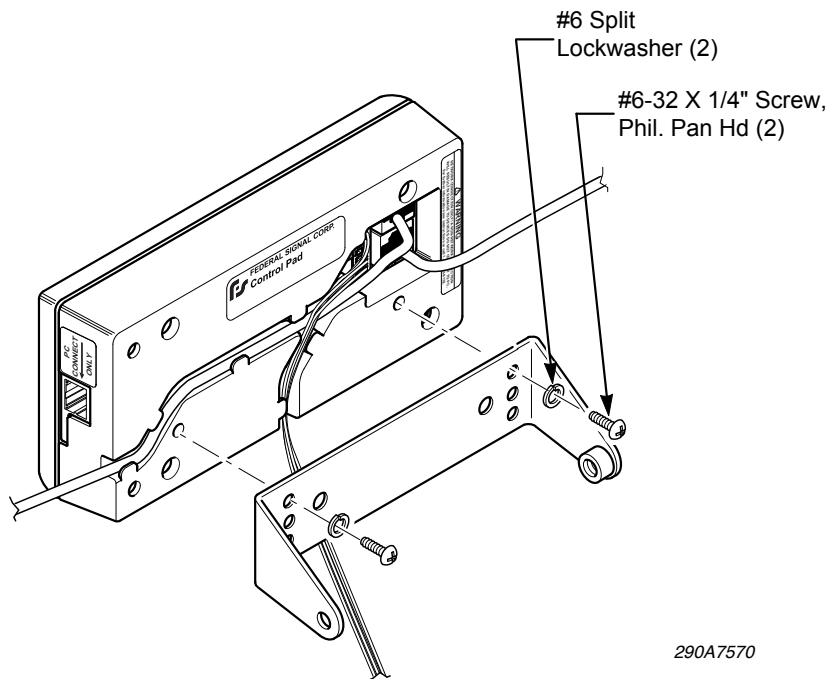
- 1.** Use a 7/16-inch nut driver to remove the two 1/4-20 by 3/4-inch hinge screws securing the two mounting brackets together. Retain the screws and the two 1/4-inch external-tooth lock washers. See Figure 37 on page 55.
- 2.** Remove the two #6-32 by 1/4-inch Phillips screws securing the bracket to the rear of the control head. See Figure 38 on page 55. Retain the screws and the two #6 lock washers.
- 3.** Disconnect the cables and leads from the back of the control head.

Figure 37 Control head removed from mounting surface



290A7566

Figure 38 Control head removed from mounting brackets



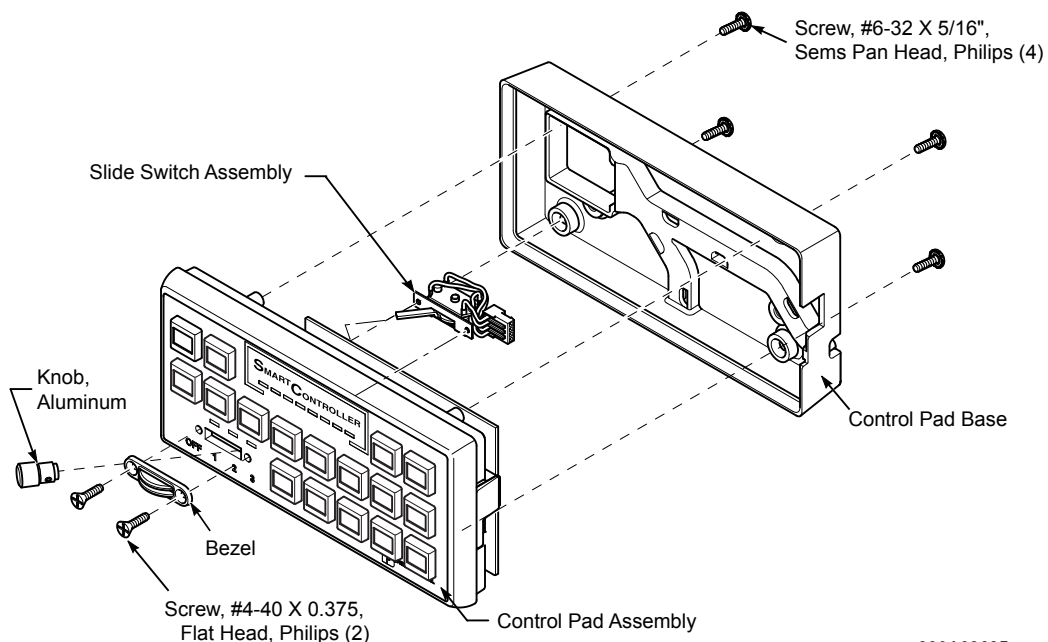
290A7570

## Replacing the Slide Switch in the Control Head

To replace the slide switch:

1. Remove and retain the four Phillips #6-32 x 5/16" screws securing the control head base to the control head assembly. See Figure 39.
2. Remove and retain base of the control head.
3. Note the orientation of the wires of the slide switch connector. Unplug it from the four-pin J3 connector on the control head assembly.
4. Note the orientation of the slide switch knob. Use a 1/64-inch hex key wrench to loosen and remove the set screw securing the knob to the shaft. Retain the set screw and knob.
5. Loosen and remove the two #4-40 x 5/16" Phillips head screws securing the slide switch bezel to the control head assembly. Retain the screws.
6. Place the new switch assembly in position with the knob in the same orientation as the old switch.
7. Secure the bezel to the control head assembly with the two #4-40 by 5/16-inch Phillips head screws.
8. Plug the slide switch connector into the four-pin J3 connector on the control head assembly. Ensure that the wires on the connector face the edge of the board.
9. Secure the control head base to the control head assembly with the four #6-32 by 5/16-inch Phillips screws.

**Figure 39 Slide switch removed from control head**



290A6363B



## **Reinstalling the Control Head**

To reinstall the control head in the vehicle:

1. Reconnect the cables and wiring to the control head.
2. Secure the rear mounting bracket to the control head base with the two Phillips #6-32 by 1/4-inch screws. See Figure 38 on page 55.
3. Secure the rear mounting bracket to the mounting surface bracket with the two 1/4-inch external-tooth lock washers and 1/4"-20 by 3/4-inch hinge screws. See Figure 37 on page 55.

## **Servicing the Siren Amplifier/Relay Module**

Servicing the siren amplifier includes replacing damaged cables or external wiring, external fuses and the red and the plastic terminal insulators. The siren amplifier/relay module has 13 externally mounted mini-blade fuses for the siren, horn-ring circuit, SignalMaster™, and auxiliary relays have LEDs that glow when the fuse fails. For detail on the components the fuses protect, see Figures 27 and 28 on page 47. Replacements fuses are obtainable at auto parts stores, from your local distributor. For information on ordering replacement parts from Federal Signal, see page 60.

### **Tools needed:**

- 7/16-inch nut driver
- Small needle-nose pliers
- Flat-head screwdriver

## **Uninstalling the Siren Amplifier/Relay Module**

To uninstall the siren amplifier/relay module from the vehicle:

1. Remove and retain the installer-supplied #10 hardware.
2. To access the power connections, use a large screwdriver to pry open the covers on the red and black insulators.
3. Use a 7/16-inch nut driver to remove the 1/4"-20 Keps® nuts securing the power cables to the terminals. Retain the two Keps nuts, the four external-tooth lock washers, and two flat washers.
4. Disconnect the Convergence network cable, serial cables and wiring from the rear of the siren amplifier/relay module.

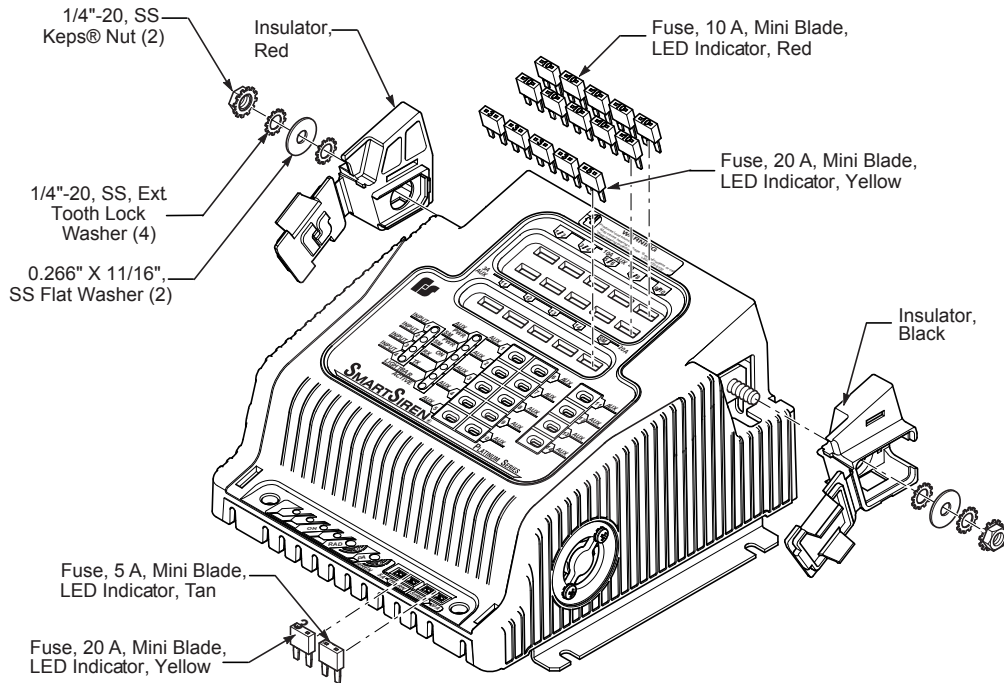
## **Replacing an External Fuse**

To replace a fuse:

1. Investigate and correct the cause of the fuse failure.
2. Remove a fuse by pulling it out with a pair of needle-nose pliers. Be careful not to bend the blades.
3. Insert the blades of the new fuse of the same type and amperage into the appropriate fuse holder beneath the surface of the housing. Make sure that it is

properly seated.

**Figure 40 External parts assembly (SSP3000B shown)**

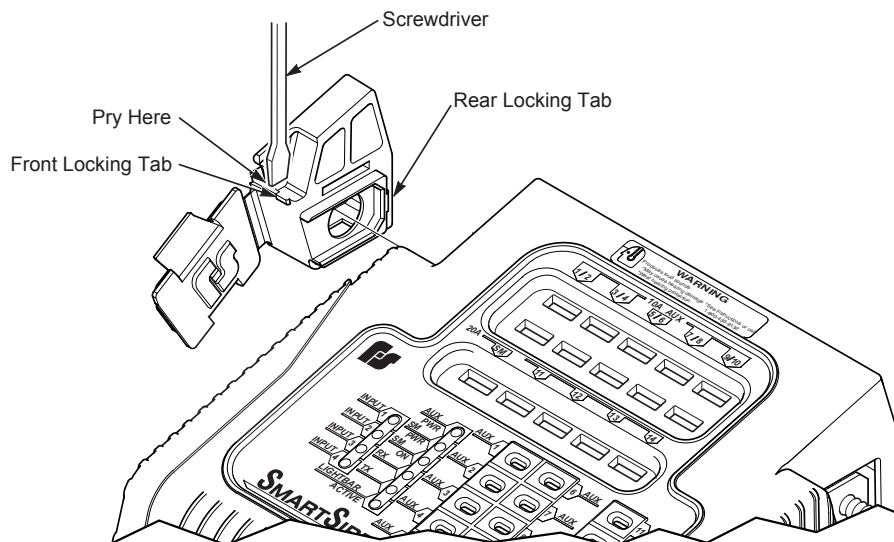


**Replacing a Terminal Insulator**

To replace an insulator:

1. Ensure that Keps® nuts, the two lock washers, and the two flat washers are removed from the terminal. See Figure 40.
2. Note the locations of the locking tabs in Figure 41. Insert a flat-head screwdriver between the housing and the insulator near the front locking tab and pry off the insulator.

**Figure 41 Locking tabs on red insulator**



3. Place the new insulator on the terminal and insert the rear locking tab into the housing.
4. Push the front of the insulator against the housing to lock the front tab.

### **Reinstalling the Siren Amplifier/Relay Module**

To reinstall the siren amplifier/relay module in the vehicle (See Figure 40 on page 58):

1. On the power terminals reinstall a flat washer followed by an external-tooth lock washer.
2. Reconnect the power leads to the terminals and secure them with an external-tooth lock washer and a Keps® nut.
3. Reconnect the Convergence Network cable, serial cables, and wiring.
4. Reinstall the siren amplifier/relay module in the vehicle with the installer-supplied #10-32 mounting hardware.

### **Getting Technical Support**

For technical support and service, please contact:

Service Department  
Federal Signal Corporation  
Phone: 1-800-433-9132  
Email: [empserviceinfo@fedsig.com](mailto:empserviceinfo@fedsig.com)  
[www.fedsig.com](http://www.fedsig.com)

### **Getting Repair Service**

The Federal Signal factory provides technical assistance with any problems that cannot be handled locally.

Any units returned to Federal Signal for service, inspection, or repair must be accompanied by a Return Material Authorization (RMA). Obtain a RMA from a local Distributor or Manufacturer's Representative.

Provide a brief explanation of the service requested, or the nature of the malfunction.

Address all communications and shipments to the following:

Federal Signal Corporation  
Service Department  
2645 Federal Signal Drive  
University Park, IL 60484-3167

## Ordering Replacement Parts

The cover is available as a service part only. To order replacement parts, call Customer Support at 1-800-264-3578, 7 a.m. to 5 p.m., Monday through Friday (CT) or contact your nearest distributor.

**Table 10 Replacement parts**

| Description   | Part Number |
|---|-------------|
| Cable Assembly, RS485, 25 ft                              | 1751357-02  |
| Cable Assembly, Control                                   | 17500307    |
| Cable Assembly, RJ45, Ethernet Crossover                  | 1751532     |
| Cable Assembly, Auxiliary Relay                           | 1751541     |
| SSP3000B Cable Assembly, SignalMaster™ and Inputs         | 1751542-01  |
| SSP2000B Cable Assembly                                   | 1751542-NY  |
| Cable Assembly, Control Head                              | 17500308    |
| Cover, SSP3000B   | 85361196    |
| Keyhead Legends, Scored Sheet                             | 8572294     |
| Fuse, 10 A, Mini Blade                                    | 14181-05    |
| Fuse, 20 A, Mini Blade                                    | 14181-08    |
| Fuse, 5 A, Mini Blade, LED Indicator                      | 148210-04   |
| Fuse, 10 A, Mini Blade, LED Indicator                     | 148210-06   |
| Fuse, 20 A, Mini Blade, LED Indicator                     | 148210-08   |
| Slide Switch Assembly, Control Head                       | 122290-01   |
| Bezel, Slide Switch                                       | 8573060     |
| Knob, Aluminum, Slide Switch                              | 85361185    |
| Screw, #4-40 x 0.375, Flat Hd., Phil., Slide Switch Bezel | 7000259-06  |



## FEDERAL SIGNAL Safety and Security Systems

2645 Federal Signal Drive  
University Park, Illinois 60484

[www.fedsig.com](http://www.fedsig.com)

Customer Support  
Police/Fire-EMS: 800-264-3578 • +1 708 534-3400  
Work Truck: 800-824-0254 • +1 708 534-3400  
Technical Support 800-433-9132 • +1 708 534-3400