



► Model 121SLED-N

NSF Certified Series Sanitation Rotating LED Warning Light

Model 121SLED-N is an NSF Certified compact rotating warning light designed to withstand the toughest sanitation environments. Available in 120VAC and five colors, this model features a parabolic reflector that rotates around a 360-degree LED, providing 60 revolutions per minute in all directions. The zinc die-cast alloy base comes ready to surface or 1/2-inch NPT pipe mount.

The NSF Certification validates that model 121SLED-N is easy to clean and can endure rigorous sanitation procedures. This includes being able to withstand exposure to most acids, oxidizing/reducing agents, salt solutions, greases, oils, detergents, saturation, aliphatic and cycloaliphatic hydrocarbons, and alcohols. In order to maintain the NSF Certification and resist water and debris accumulation, Model 121SLED-N must be mounted in the dome up position.

Model 121SLED-N is rated Type 4X, IP66 for a water- and dust-tight seal and uses a polymeric enclosure with no horizontal flat surfaces, small crevices, and exposed fasteners or threads. The unit is also IP69K compliant to withstand high temperature and pressure washdowns.

This product is ideal in high-ambient and harsh sanitation environments that contain wet, corrosive, and high vibration areas where gaining attention is critical.

Common industries that use NSF Certified products include:

- Aerospace
- Consumer Products
- Medical Facilities
- Plastics
- Automotive
- Food and Beverage
- Nutritional Products
- Water Treatment and Wastewater
- Chemical
- Medical Devices
- Pharma and Biotech

NSF Certification is an ANSI-accredited product certification that addresses more than 75 sanitation requirements and protocols for equipment and materials intended for commercial foodservice.

Model 121SLED-N is NSF Certified (dome up) for Splash and Non-Food Zones to Standard NSF/ANSI 2: Food Equipment.

FEATURES

- Available in 120VAC
- Five colors: Amber, Blue, Clear, Green and Red
- Rotating LED (60 R/Min.)
- 25,000 hour LED
- Integrated 1/2-inch NPT pipe and surface mount (**dome up**)
- Indoor/outdoor use
- Easy to clean and sanitize
- Smooth body and elliptical dome
- No horizontal flat surfaces
- No exposed fasteners or threads
- Fully gasketed and sealed
- Resists water and dust accumulation
- Meets NSF material standards for Splash and Non-Food Zones

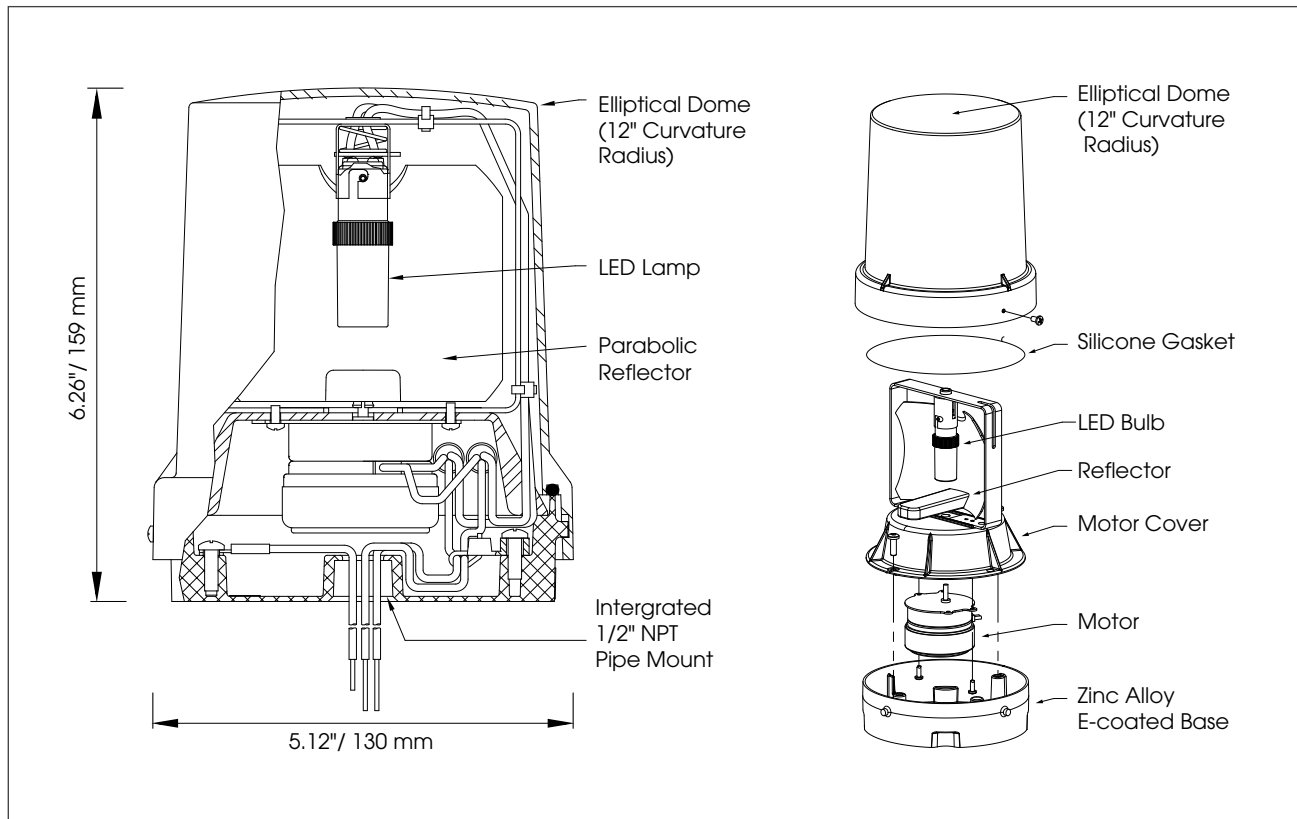
CERTIFICATIONS

- Type 4X, IP66 enclosure
- IP69K compliant
- NSF Certified
- UL and cUL Listed

MODEL	VOLTAGE	OPERATING CURRENT	REVOLUTION/ MINUTE	LIGHT OUTPUT	MOUNT
121SLED-120 * -N	120VAC 50/60Hz	0.075 A	60	1,655 cd	1/2" NPT Pipe/Surface

* Indicates color: (A) Amber, (B) Blue, (C) Clear, (G) Green or (R) Red

NSF Certified Series
Sanitation Rotating LED Warning Light (121SLED-N)



S P E C I F I C A T I O N S

Lamp Life:		25,000 Hours
Light Source:		LED Lamp
Operating Temperature:	-40°F to 150°F	-40°C to 66°C
Net Weight:	2.0 lbs	0.95 kg
Shipping Weight:	2.1 lbs	0.96 kg
Height:	6.26 "	159.0 mm
Diameter:	5.12 "	130.0 mm

NSF CERTIFIED ZONES OF EXPOSURE

Zone	Description
Non-Food Zones	Areas that are unexposed to food or splashes but may be subject to minor dirt or debris
Splash Zones	Areas that are exposed to routine soiling from splashes and spills but are not surfaces intended for contact with consumable food

R E P L A C E M E N T P A R T S

Description	Part Number
LED Lamp	K14702196A

H O W T O O R D E R

