



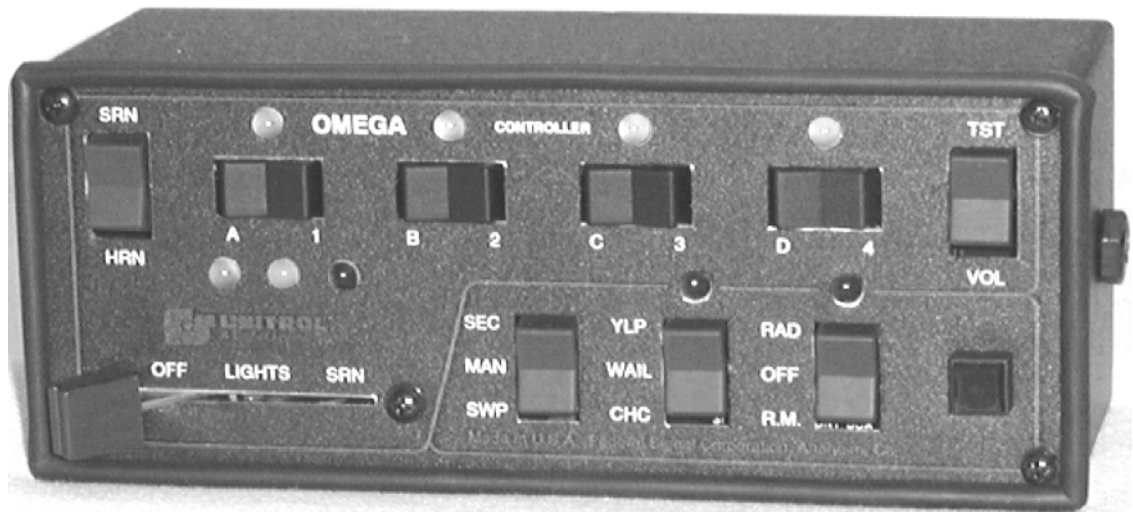
UNITROL

A Unit of Federal Signal

22-UM8000-00
ECO# 104-06-MAN

INSTALLATION

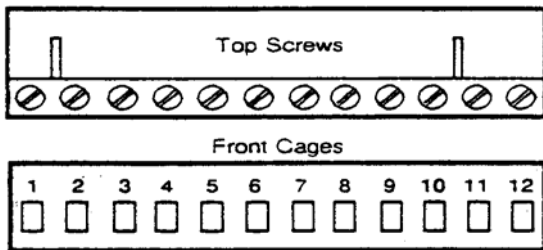
Omega 8000 Series Controller
For Use With Omega 90 Siren/P.A. Amplifier



BASIC CONNECTIONS

PRELIMINARY

RELAYS: No external relays are needed unless loads exceed stated capacities.
AMPLIFIER: Install Siren/P.A. Amplifier and interconnect cable. See Omega 90 Manual.
PLUGGABLE BLOCKS: Male fits female only with screws UP. Front cages accept up to 12 ga. (large) wire. Tighten screws to secure wires in cages.



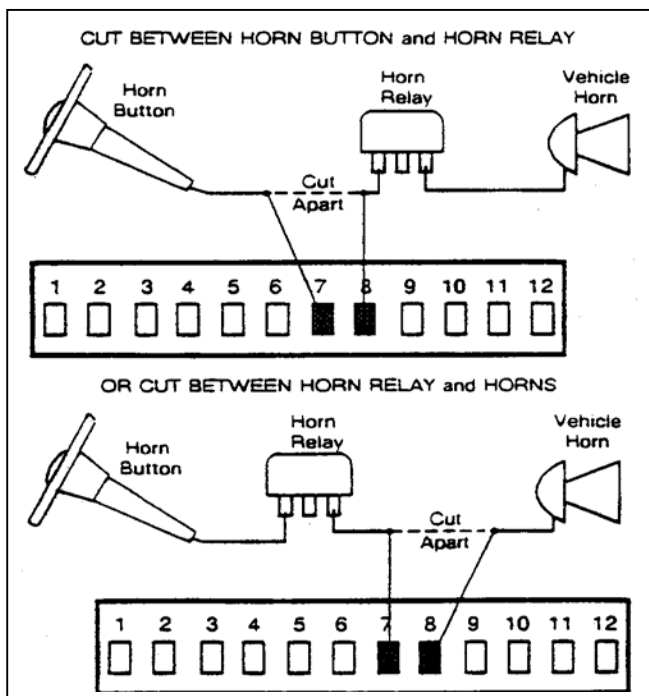
VEHICLE HORN BUTTON

The vehicle horn button can be used for siren control as well as horn control. It can be switched-in for siren control by the SRN slide-bar position.

CONNECTIONS:

a) Cut apart wire at either place illustrated below. Extend ends with same wire size used in vehicle. Connect to RING and HORN terminals seven (7) and eight (8).

POLARITY COMPENSATION IS AUTOMATIC

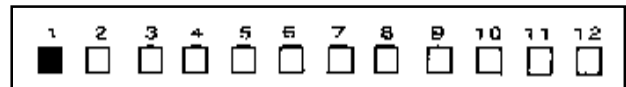


PARK KILL

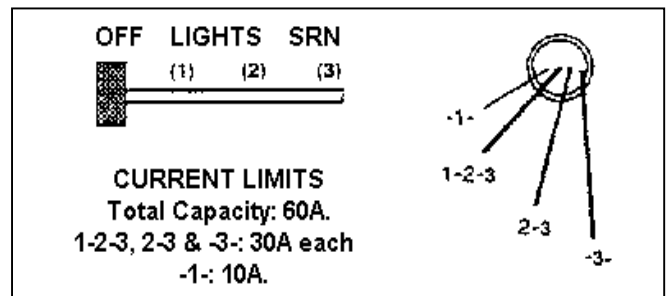
This feature simplifies siren control by stopping the siren when the vehicle is shifted to Park or Neutral.

CONNECTIONS:

- Locate neutral switch wire (wire runs to vehicle computer and/or to Park/Neutral solenoid).
- T-connect one end of an 18 ga. wire into neutral switch wire.
- Connect other end to PARK KILL terminal 1.



WARNING LIGHT CONTROL WIRES



NUMBERS: Wires come directly from the slide-bar, not relays. Numbers stamped on wires indicate slide-bar positions that supply power (+12v).

WIRE SIZE: 18 ga. (small) can be used for strobe lights. Use 14 to 12 ga. (heavy) for other lights.

CONNECTIONS:

-1-	Power in position 1 only. For Federal Jet Sonic front flasher cutoff (18 ga. wire).
1-2-3	Power in positions 1, 2 and 3. For rear lights or lights of secondary importance (12 ga. wire).
2-3	Power in positions 2 and 3. For front lights or lights of primary importance (12 ga. wire).
-3-	Power in position 3 only. For rotary beacons (12 ga. wire).

FLASHERS: Brake/backup light flasher can be controlled by 1-2-3 wire. Headlight flasher can be controlled by 2-3 or 3 wire. It can be turned off when unwanted by a numbered accessory switch in Model 8000 series control heads.

EXTERNAL AIR HORN CONTROL

To operate Air Horn from an external switch as well as the built in HRN switch, install pushbutton switch.

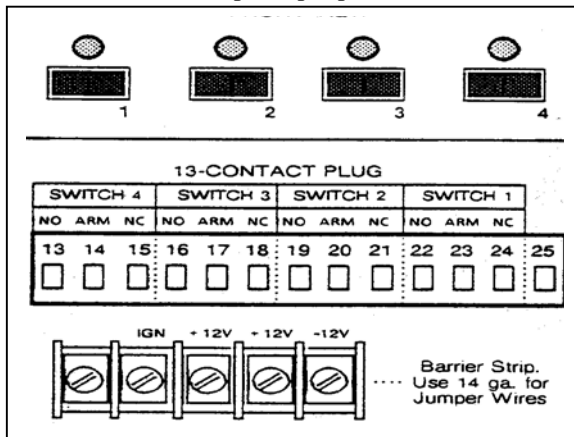
CONNECTIONS:

Using 18 ga. wire, connect one switch terminal (either) to AIR HORN screw barrier terminal. Connect remaining switch terminal to GRND (-) or BAT (+).

ACCESSORY SWITCH CONNECTIONS

NUMBERED Positions

Current limit: 15 amperes per position.



TYPES AND FUNCTIONS:

Positions can be momentary, (Spring-return) or maintained. For special requirements, please call Technical Service at (800) 854-3375. Each position operates a relay (4 relays total). Relay contacts are connected to terminals marked NC (normally closed), NO (normally open) and ARM (moving part of relay).

TYPICAL USES

Numbered positions can TURN ON, TURN OFF or TRANSFER. See connection illustrations at right.

1: TURN ON from 12v or IGN

Connect jumper from + 12v barrier terminal (either one) to ARM. If accessory is to be ignition controlled, connect jumper from IGN terminal to ARM. Connect Accessory to NO. Use Momentary positions for Gun Lock, Trunk, etc.

2: TURN ON from ground

Connect jumper from - 12v barrier terminal to ARM. Connect accessory to NO.

3: TURN OFF

Interior lights, a headlight flasher, warning lights and other accessories can be turned off when their operation is unwanted.

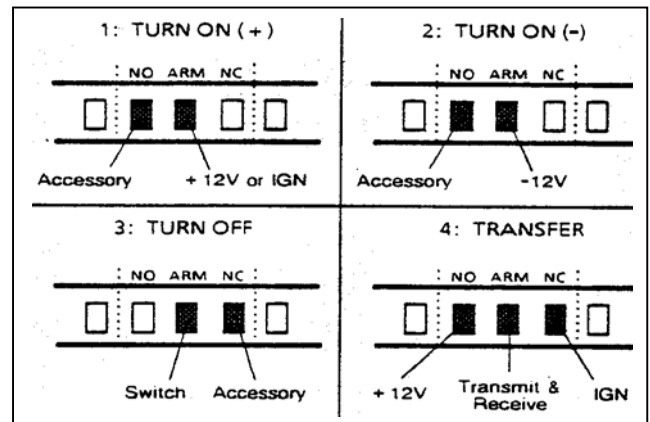
- Cut apart wire that runs between accessory and it's control switch.
- Connect switch end of cut wire to ARM.
- Connect other end of cut wire to NC.

4: TRANSFER

Any circuit can be transferred from (-) to (+) to (-), battery to ignition, ignition to battery, etc. Illustration four (4) shows how a two-way radio can be ignition controlled for normal use, yet can be switched to battery direct for use without ignition keys.

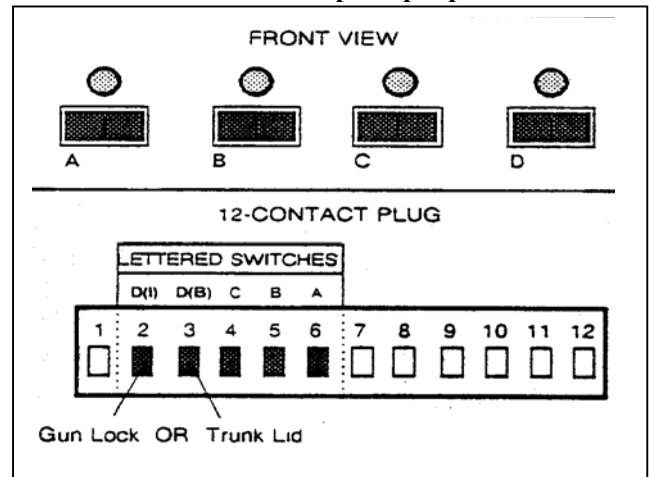
- Connect jumper from IGN barrier to NC.
- Connect jumper from + 12 v barrier to NO.
- Connect radio transmit and receive control sections (not high current sections) to ARM.

ILLUSTRATIONS-Numbered Positions



Lettered Positions

Current Limit: 8 amperes per position



TYPES AND FUNCTIONS: Positions can be momentary OR maintained. Each position supplies + 12v directly to a lettered terminal.

Switch D supplies power to 2 terminals: D(I) is ignition powered, D(B) is battery powered. If D position is Momentary (spring-return), use D(I) terminal for Gun Locks or D(B) terminal for trunk lid.

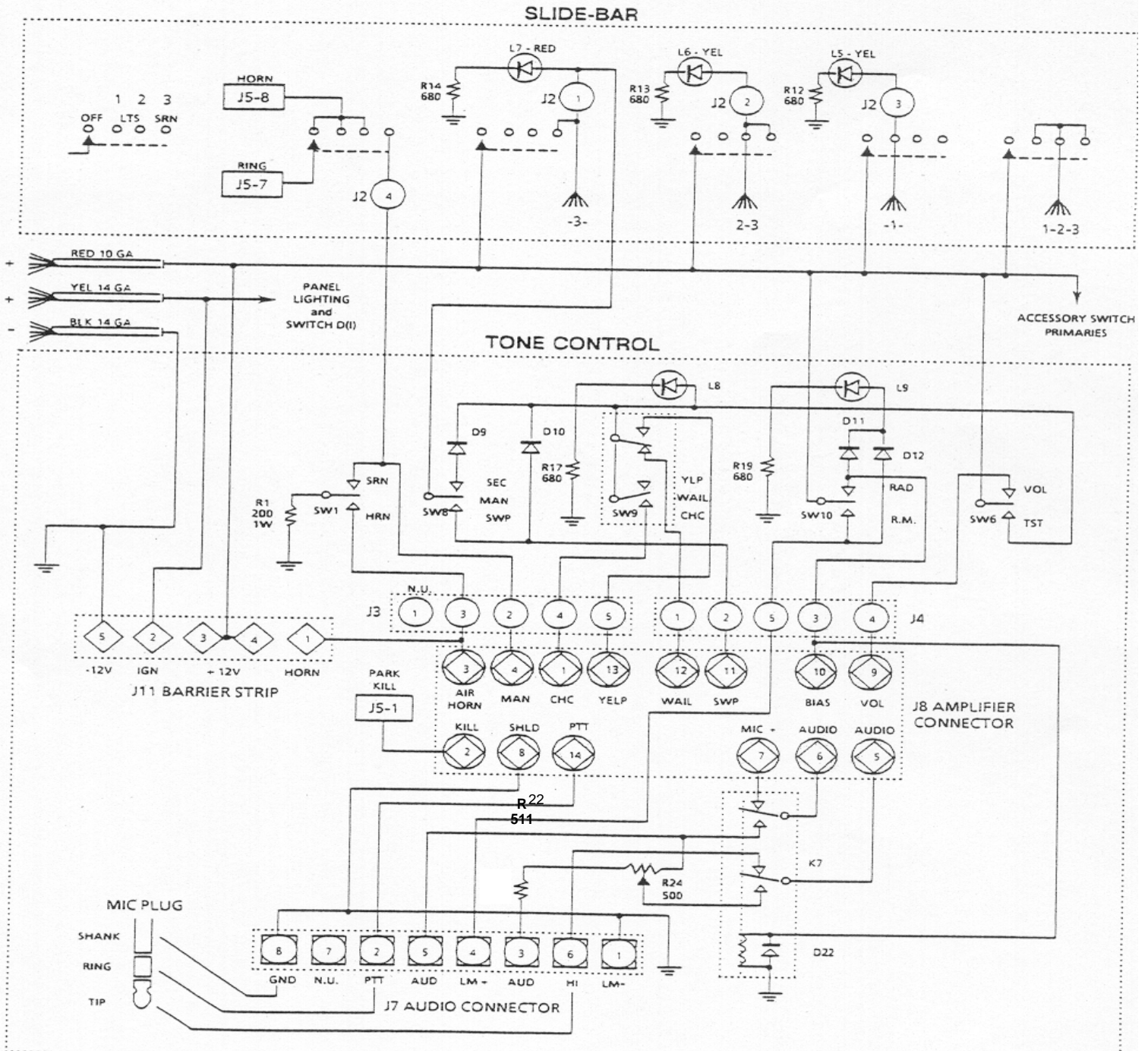
1
2

SCHEMATICS

Slide-Bar & T one Control Switching

CONNECTORS & SYMBOLS

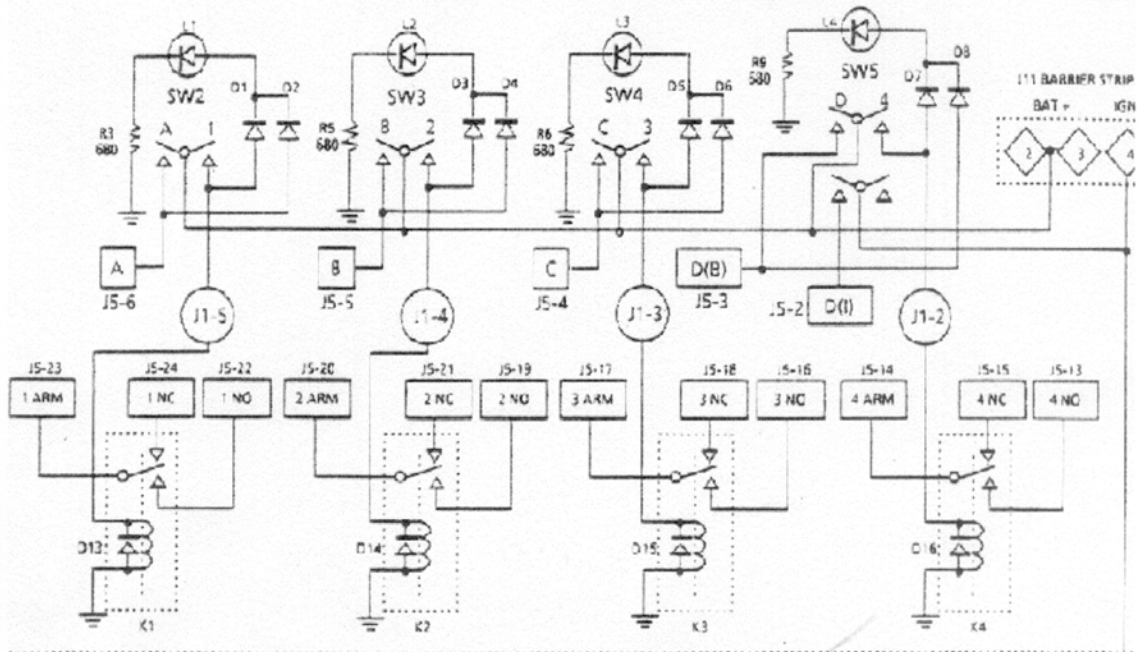
- = External Barrier Strip - J11
- = External Plug-In - J5A & J5B
- = 14-Pin Amplifier Connector - J8
- = Internal - J1, J2, J3, J4 & J6
- = External - J7, J8, J9 & J10
- = Wires



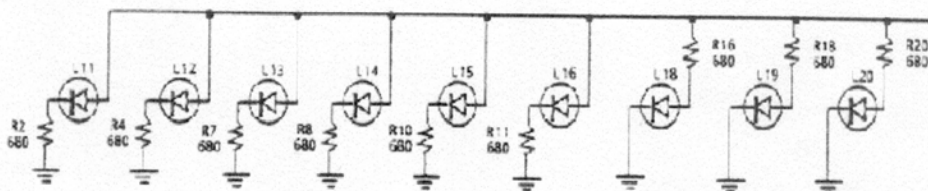
SCHEMATICS-Rocker Switches

Models in 8000 Series: Lettered and numbered positions are functional

ROCKER ACCESSORY SWITCHES



PANEL LIGHTING



LIMITED WARRANTY

FS UNITROL, a unit of Federal Signal Corporation, warrants each new product to be free from defects in material and workmanship under normal use and service for a period of five year on parts replacement and one year labor from the date of purchase.

During this warranty period, the obligation of UNITROL is limited to repairing or replacing, as UNITROL may elect, any part or parts of such products which, after examination by Unitrol, is found to be defective in material and/or workmanship.

UNITROL will warrant any unit that is delivered, prepaid, to the UNITROL factory or designated authorized warranty service center for examination within the warranty period. If such examination reveals a defect in material and/or workmanship, UNITROL will complete the necessary repairs under warranty.

This warranty does not cover travel expenses, the cost of specialized equipment for gaining access to the product, or labor charges for removal and re-installation of the product. Lamps, flash tubes or batteries are not covered under warranty.

Warranty will not be extended to any unit that has been subjected to abuse, misuse, improper installation, or to one that has been inadequately maintained. Warranty does not apply to units that have problems relating to service or modification at any facility other than the UNITROL factory or authorized warranty service centers.

THERE ARE NO OTHER WARRANTIES, EXPRESSED OR IMPLIED, INCLUDING BUT NOT LIMITED TO ANY IMPLIED WARRANTIES OF MERCHANTABILITY OR FITNESS FOR A PARTICULAR PURPOSE. IN NO EVENT SHALL UNITROL BE LIABLE FOR ANY LOSS OF PROFITS OR ANY INDIRECT OR CONSEQUENTIAL DAMAGES ARISING OUT OF

ASSISTANCE

Technical help is available by phone 7:00 AM to 3:30 PM
Pacific Standard Time, Monday through Friday, except holidays.

(800) 854-3375 is toll free within the United States
and Canada. Phone (714) 871-3336 from other areas.

If it is necessary to return a unit, please observe this procedure:

- a) Call for RMA number.
- b) Pack to prevent damage in transit.
- c) Include brief description of problem and RMA No.
- d) Include name and phone number of a person who can be contacted in the event the bench test does not reveal problem experienced with vehicle.