



► Model PS Series

Push Button Stations

These multi-purpose, initiating devices cover a wide range of industrial and commercial applications. The Federal Signal push-button stations function like a traditional fire alarm “pull station”, providing a simple latching contact closure or momentary contact to activate emergency equipment, audible and visual signals and alarm panels.

Each unit is available with or without a tamper-resistant polycarbonate cover. Covered units work to protect against physical damage to the station and to prevent false alarms without restricting use in emergency situations. When the cover is lifted to gain access to the alarm, a piercing tone sounds, calling immediate attention to the area. The piezo horn is quiet once the cover is closed. Power to the piezo alarm is provided by a battery (included). The sounder cover mounts easily over the station.

The terminal block provides easy installation and maintenance. Units mount on existing single-gang electrical boxes or 4" x 4" electrical boxes with plaster ring adapters (customer supplied).

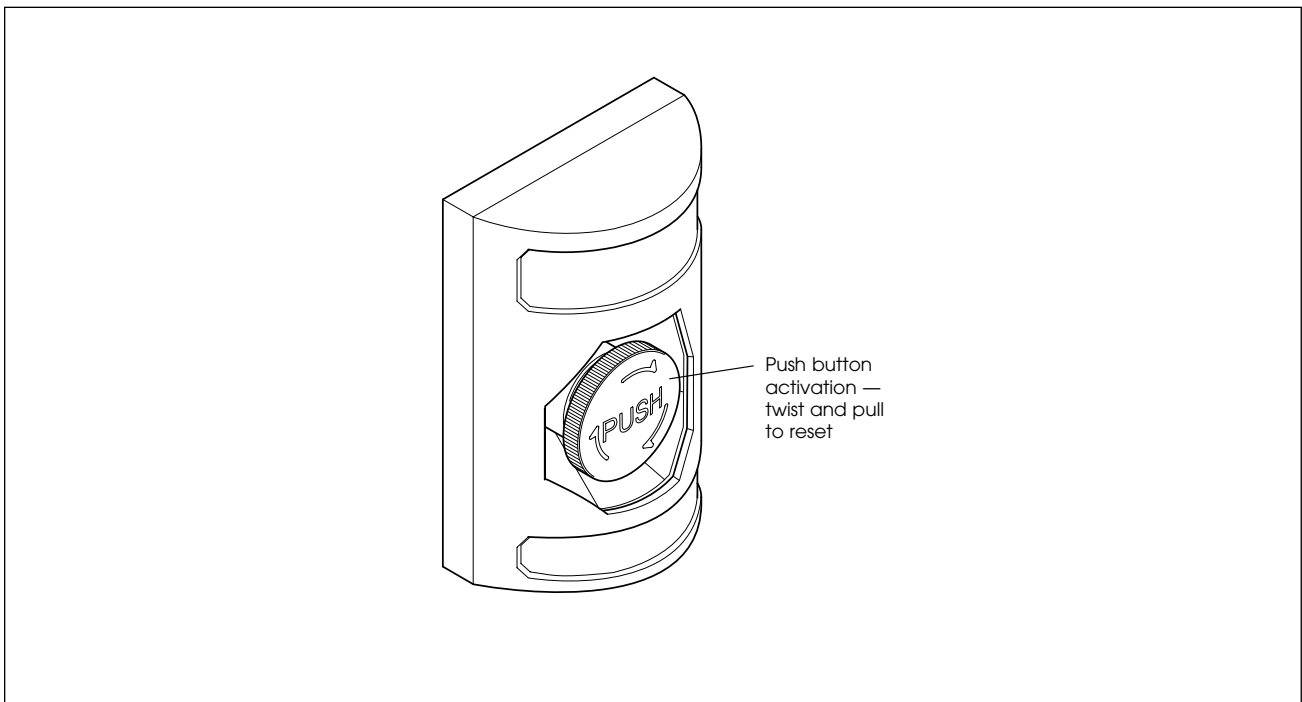
Contact ratings for the Push Button Stations are 600VAC @ 3 amps and 250VDC @ 1 amp.

FEATURES

- Latching contact or momentary activation depending on model
- “Evacuation” and “Emergency” stations available
- Quick reset
- Cover with alarm discourages tampering
- ADA Compliant
- CSFM Approved
- UL and cUL Listed

MODEL	COLOR	TEXT	SWITCH TYPE	SOUNDER & COVER	LOW PROFILE	LED ILLUMINATED	BATTERY (INCLUDED)
PSEM-RM	Red	EMERGENCY	Momentary	No	No	No	No
PSEMSC-RM	Red	EMERGENCY	Momentary	Yes	No	No	9-Volt
PSEVSC-YM	Yellow	EVACUATION	Momentary	Yes	No	No	9-Volt
PSEV-YM	Yellow	EVACUATION	Momentary	No	No	No	No
PSEVSCLP-YM	Yellow	EVACUATION	Momentary	Yes	Yes	Yes	3-Volt (CR123A)
PSEMSCLP-RM	Red	EMERGENCY	Momentary	Yes	Yes	Yes	3-Volt (CR123A)
PSNTSCLP-YM	Yellow	No Text/Blank	Momentary	Yes	Yes	Yes	3-Volt (CR123A)
PSEV-Y	Yellow	EVACUATION	Turn to Reset	No	No	No	No
PSEM-R	Red	EMERGENCY	Turn to Reset	No	No	No	No
PSEVSC-Y	Yellow	EVACUATION	Turn to Reset	Yes	No	No	9-Volt
PSEMSC-R	Red	EMERGENCY	Turn to Reset	Yes	No	No	9-Volt

Push Button Stations (PS Series)



SPECIFICATIONS

	Standard	Low-Profile
Net Weight	1.3 lbs (0.60 kg)	0.7 lbs (0.32 kg)
Shipping Weight	2.2 lbs (1.00 kg)	1.0 lbs (0.45 kg)
Height w/o Cover	4.9" (124.5 mm)	N/A
Height with Cover	8.15" (207.0 mm)	5.19" (131.83 mm)
Width w/o Cover	3.25" (82.6 mm)	N/A
Width with Cover	5.5" (139.7 mm)	3.25" (82.55 mm)
Depth w/o Cover	3.87" (98.3 mm)	N/A
Depth with Cover	5.13" (130.3 mm)	3.46" (87.88 mm)

REPLACEMENT PARTS

Description	Part Number
Cover Only, Evacuation, Yellow	PSCE-Y
Cover Only, Emergency, Red	PSCE-R
Cover Only, Fire, Red	PSCF-R
Terminal Block Kit ¹	K229277A

¹Includes 1 contact normally open and 1 contact normally closed

HOW TO ORDER

