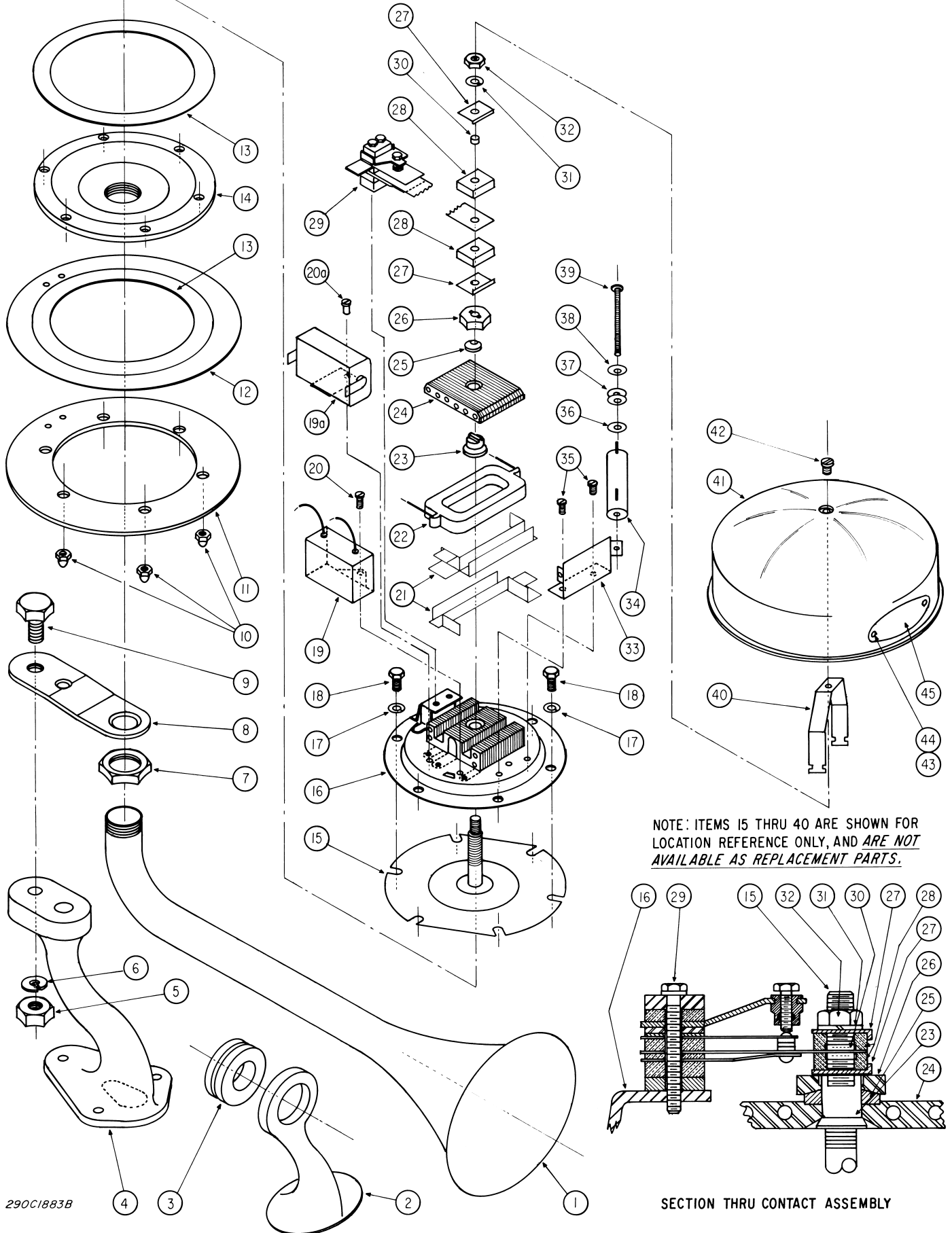
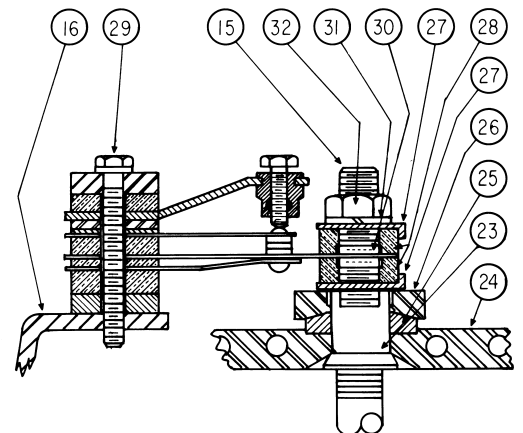


TRAFFIC BLASTER
58-012 SERIES B1, 58-024 SERIES B1
AND 58-032 SERIES A2



NOTE: ITEMS 15 THRU 40 ARE SHOWN FOR LOCATION REFERENCE ONLY, AND *ARE NOT AVAILABLE AS REPLACEMENT PARTS.*



290C1883B

Traffic Blaster

Models 58-012 Series B1, 58-024 Series B1,
and 58-032 Series A2

Printed 1999

PPL 0190
PARTS LIST

Item No.	Description	Part No.	Qty.
1	Projector	Z8220B002A-01	1
2	Bracket, Projector	Z8228B026A	1
3	Grommet, 1.0 ID x 1.375 OD	Z228A112	1
4	Base, Chrome	Z8228C043A	1
5	3/8 Nut, Hex, Chrome	Z7059A057	1
6	3/8 Lockwasher, Split, S.S.	Z7074A046	1
7	15/16-20 Locknut, Brass, Chrome	ZH5630-OA-OC	1
8	Bracket, Mounting	Z8228A003	1
9	3/8-16 Screw, Hex Hd., Chrome	Z7000A328-24	1
10	1/4-20 Nut, Acorn Hd., Chrome	Z7054A010	6
11	Plate, Adapter, Chrome	Z8228B006	1
12	Gasket, Housing	Z8228B010	1
13	Gasket, Projector Collar	Z8234A008-01	2
14	Collar, Projector	ZH6314-01	1
15	Diaphragm and Arm Shaft Assembly	Z8228A032A	
16	Frame Assembly	Z8233A028	
17	1/4 Lockwasher	Z7074A016	
18	1/4-20 x 5/8 Screw, Hex Hd., S.S.	Z7000A311-10	
19	Capacitor, Polyester, 250VAC	58-012 Z107A430	
	Capacitor, Polyester, 250VAC	58-024 Z107A430	
19A	Capacitor, Paper, 1M, 200V	58-032 ZH6160	
20	8-32 x 5/16 Screw, Slit., Rd. Hd. Ext., Sems	58-012, 58-024 Z7006A007-05	
20A	8-32 x 1/4 Screw, Slit., Rd. Hd. Ext., Sems	58-032 Z7006A007-04	
21	Insulator, Coil, 0.010 Polycarbon	ZH7999-02	
22	Coil	58-012 ZFC471	
	Coil	58-024 ZFC472	
	Coil	58-032 ZFC456-01	
23	Nut, Armature Adjustment	Z8282A029	
24	Armature Assembly, Plated	Z8351A034	
25	Bushing, Armature	Z8233A030	
26	Washer, Adjusting	Z8233A029	
27	Washer, Angle	ZH5761-15	
28	Insulator, Armature Spring	ZH5761-14-OA	
29	Contact Assembly	Z8233A021	
30	Insulator, Tubular	ZH5761-13	
31	1/4 Lockwasher, Split	Z7074A015	
32	1/4-32 Nut, Hex, Dbl. Cham.	Z7059A021	
33	Bracket, Capacitor	Z8282A069B-01	
34	Resistor, WW, 15 Ohm, 5%, 25W	58-012 Z8459A047	
	Resistor, WW, 50 Ohm, 5%, 25W	58-024 Z8351A032	
	Resistor, 100 Ohm	58-032 Z8233A071	
35	10-32 x 1/4 Screw, Pan Hd., Slit.	Z7006A004-04	
36	Washer, Flat, 0.172 x 0.375 x 0.032	Z7072A005	
37	Washer, Centering, Zinc Pltd.	Z8351A031	
38	No. 8 Lockwasher, Split, Ex. Dty. Stl.	Z7074A007	
39	8-32 x 2-1/2 Screw, Rd. Hd. Slit., Stl.	Z7000A061-40	
40	Bracket, Housing Support	Z8228A021	1
41	Housing, Chrome	Z8228C013A	1
42	10-32 x 3/8 Screw, Ovl. Hd., Chrome	Z7000A351-06	1
43	4-36 x 3/16 Screw, Rd. Hd., Slit.	Z7000A051-03	2
44	4-36 Nut, Hex, Ext. Keps	Z7058A000	2
45	Nameplate Series B1	58-012 Z8146A825A	1AR
	Nameplate Series B1	58-024	
	Nameplate Series A2	58-032	
Not Shown			
	Switch, Push Button	Z122A204A	1
	Mounting Kit	Z8228A033A	1AR
NOTE : Parts not available. Must be sent to factory to be repaired. Fine tuning required.			

DO NOT ORDER PARTS BY ITEM NUMBER.
Give model, description and part number.
When a part number is not supplied, the part is **NOT** available.
Refer to PARTS PRICE LIST (Part No. 1001) for prices of parts.

Federal Signal Corporation
2645 Federal Signal Drive
University Park, IL 60466

Printed in U.S.A.